

WE REMOVE THE HEAT



# Unser Unternehmen

Die Firma MOTRAXX ELEKTROGERAETE GmbH ist ein international tätiger OEM-Hersteller in den Produktsegmenten DC Motoren, Netzteile sowie Gerätelüfter.

Seit Ausgliederung aus der IGARASHI MOTOREN GMBH im Jahre 2000 werden diese Geschäftsbereiche erfolgreich eigenständig fortgeführt.

Unsere Firma hat sich schwerpunktmäßig auf kundenspezifische Problemlösungen spezialisiert und versteht sich als verlässlicher Partner der Kunden - von der Idee während der Entwicklungsphase bis hin zur Serienlieferung.

Gerne begleiten wir Sie durch alle Projektphasen. Der enge Kontakt zu unseren Kunden ermöglicht eine rasche Umsetzung von Ideen und Mustermodifizierungen.

Dank unseres gut hauseigenen Labors, können Messungen und Auswertung schnell und unkompliziert erfolgen.

Selbstverständlich bieten wir auch ein standardisiertes Lieferprogramm von ausgewählten Artikeln an, welches ab Lager Burgthann eine Auslieferung innerhalb von 2 Werktagen ermöglicht.

Dieses Standardprogramm ist für den Einsatz im Kleinserienbereich konzipiert, so dass wir hiermit auch unsere Kunden mit geringerem Bedarf bedienen können.

Die Lüfter erfüllen alle relevanten Standards. Zertifizierungen nach IATF16949, ISO9001, ISO14001 sind obligatorisch

# Our Company

The Company MOTRAXX ELEKTROGERAETE GmbH is an international OEM manufacturer in the product segments of DC motors, power supplies and cooling fans.

Since outsourcing from the IGARASHI MOTOREN GMBH in year 2000, these business segments are operated successfull independently.

Our company has specialized focus on customized solutions and defines itself as a reliable partner of its customer - from the idea, through the development up to maturity phase.

We would like to accompany you through all projectstages. The close contact to our customers makes a fast realization of ideas and samples modifications possible.

Because of our in-house, well equipped laboratory, measurements and evaluations can be done fast and easy.

This standard range is designed for the use in small series, so herewith we are able to serve our customers with small quantity requirement.

The fans meet all relevant standards. Certifications according to IATF16949, ISO9001 and ISO14001 are mandatory.

## Table of Content

### **GENERAL**

<u>Technical Information</u>	<u>2-4</u>
------------------------------	------------

### **DC CONTENT**

<u>General Information</u>	<u>6</u>
<u>Axial Fan</u>	<u>7-57</u>
<u>Double Impeller Fan</u>	<u>58-65</u>
<u>Blower</u>	<u>66-78</u>
<u>Skeleton Fan</u>	<u>79-81</u>
<u>Centrifugal Fan</u>	<u>82-88</u>

### **AC CONTENT**

<u>General Information</u>	<u>90-91</u>
<u>Axial Fan</u>	<u>92-125</u>
<u>Motorized Impeller</u>	<u>126-133</u>
<u>Blower</u>	<u>134-152</u>

### **EC CONTENT**

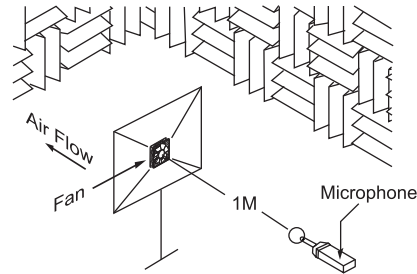
<u>General Information</u>	<u>154</u>
<u>Axial Fan</u>	<u>155-158</u>

### **ACCESSORIES**

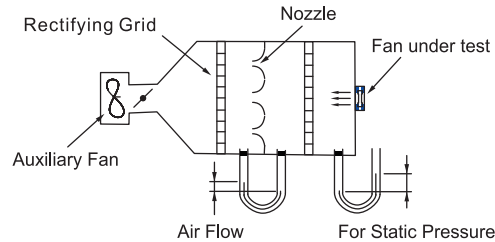
<u>Metallic Finger Guard</u>	<u>160-161</u>
<u>Plastic Finger Guards</u>	<u>162-163</u>
<u>Filter Kits 6060</u>	<u>164</u>
<u>Filter Kits 8080</u>	<u>165</u>
<u>Filter Kits 1212</u>	<u>166</u>
<u>Filter Kits 1715</u>	<u>167</u>
<u>Corrugated Aluminum Filters</u>	<u>168</u>

## General Technical Information

- Noise is measured at rated voltage in anechoic chamber in free air with microphone at a distance of one meter from the fan intake, Refer to GB/T 6882 / ISO3745 as shown below: Background Noise level 18dB(A)



- The performance including air flow and air pressure measured at rated voltage in Double Chamber is measured according to AMCA 210 standard as shown below:



### • Air Flow Conversion Table

m <sup>3</sup> /s (CMS)	m <sup>3</sup> /min (CMM)	l/s	l/min	m <sup>3</sup> /h (CMH)	ft <sup>3</sup> /s (CFS)	ft <sup>3</sup> /min (CFM)
1	6x10	1x10 <sup>3</sup>	6x10 <sup>4</sup>	3.6x10 <sup>3</sup>	3.531x10	2.118x10 <sup>3</sup>
1.66666x10 <sup>-2</sup>	1	1.66666x10	1x10 <sup>3</sup>	6x10	5.885x10 <sup>-1</sup>	3.531x10
1x10 <sup>-3</sup>	6x10 <sup>-2</sup>	1	6x10	3.6	3.531x10 <sup>-2</sup>	2.118
1.66666x10 <sup>-5</sup>	1x10 <sup>-3</sup>	1.66666x10 <sup>-2</sup>	1	6x10 <sup>-2</sup>	5.9x10 <sup>-4</sup>	3.54x10 <sup>-2</sup>
2.77777x10 <sup>-4</sup>	1.66666x10 <sup>-2</sup>	2.77777x10 <sup>-1</sup>	1.66666x10	1	9.81x10 <sup>-3</sup>	5.886x10 <sup>-1</sup>
2.832x10 <sup>-2</sup>	1.69833	2.831x10	1.69833x10 <sup>3</sup>	1.019x10 <sup>2</sup>	1	6x10
4.72x10 <sup>-4</sup>	2.831x10 <sup>-2</sup>	0.472	2.831x10	1.6983	1.66666x10 <sup>-2</sup>	1

### • Air Pressure Conversion Table

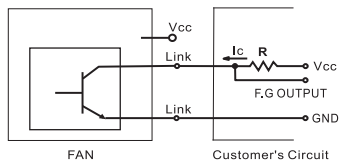
Pa=N/m <sup>2</sup>	mmH <sub>2</sub> O	inH <sub>2</sub> O	Kgf/cm <sup>2</sup>	atm	bar	lbf/in <sup>2</sup>
1	1.0197x10 <sup>-1</sup>	4.017x10 <sup>-3</sup>	1.0197x10 <sup>-5</sup>	9.869x10 <sup>-6</sup>	1x10 <sup>-5</sup>	1.450x10 <sup>-4</sup>
9.80665	1	3.939x10 <sup>-2</sup>	1x10 <sup>-4</sup>	9.678x10 <sup>-5</sup>	9.806x10 <sup>-5</sup>	1.422x10 <sup>-3</sup>
2.49x10 <sup>2</sup>	25.4	1	2.54x10 <sup>-3</sup>	2.46x10 <sup>-3</sup>	2.49x10 <sup>-3</sup>	3.61x10 <sup>-2</sup>
9.80665x10 <sup>4</sup>	10 <sup>4</sup>	3.937x10 <sup>2</sup>	1	0.9678	0.980665	14.2234
1.01325x10 <sup>5</sup>	1.0332x10 <sup>4</sup>	4.071x10 <sup>2</sup>	1.03323	1	1.01325	14.6960
1x10 <sup>5</sup>	1.0197x10 <sup>4</sup>	4.018x10 <sup>2</sup>	1.01972	0.986932	1	14.5038
6.895x10 <sup>3</sup>	7.031x10 <sup>2</sup>	27.686	7.031x10 <sup>-2</sup>	6.805x10 <sup>-2</sup>	6.895x10 <sup>-2</sup>	1

# General Technical Information

## ● Frequency Generator(FG)

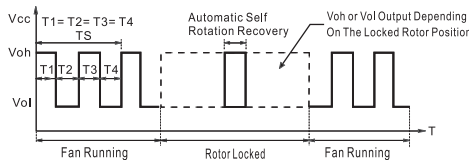
Generates a square wave output frequency equal to 2 periods per revolution for a 4 poles fan and informs the user of the fan's running speed.

### ● Application 1



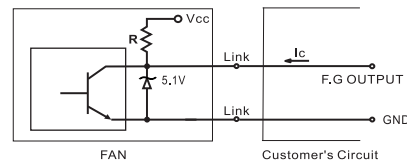
Vcc=From + 5 To + 28 VDC ( Generally using + 12 or + 24VDC )  
Ic=5 mA (Max.)  
R≥V/I (Output "R" value calculation)

### ● Output Waveform



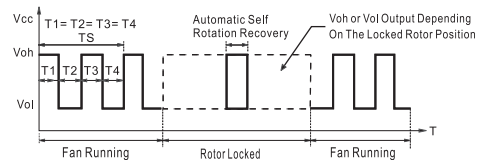
- N=R.P.M
- Ts=60/N(Sec)
- Output Level  
Voh= Vcc ± 10%  
Vol=0-0,6V  
Ic=5 mA (Max.)

### ● Application 2



Vcc=From + 5 To + 28 VDC ( Generally using + 12 or + 24VDC )  
Ic=5 mA (Max.)  
R ( type ) = 10K

### ● Output Waveform

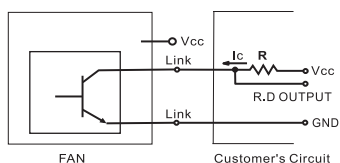


- N=R.P.M
- Ts=60/N(Sec)
- Output Level  
Voh= 5,0V ± 0,5V  
Vol=0-0,6V  
Ic=5 mA (Max.)

## ● Rotation Detector(RD)

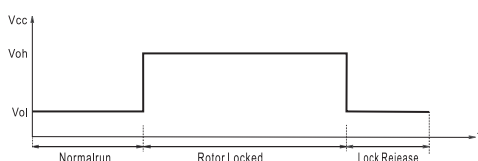
Detects whether the fan is running or stopped by generating a high or low output signal.

### ● Application 1



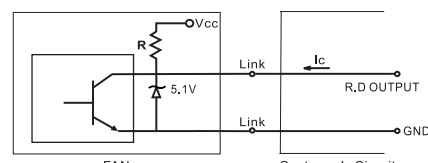
Vcc=From + 5 To + 28 VDC ( Generally using + 12 or + 24VDC )  
Ic=5 mA (Max.)  
R≥V/I (Output "R" value calculation)

### ● Output Waveform



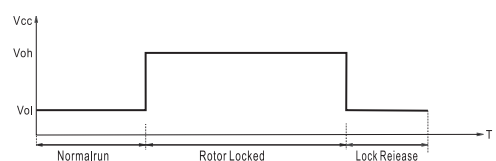
- Output Level  
Voh=Vcc ± 10%  
Vol=0-0,6V  
Ic=5 mA (Max.)

### ● Application 2



Vcc=From + 5 To + 28 VDC ( Generally using + 12 or + 24VDC )  
Ic=5 mA (Max.)  
R ( type ) = 10K

### ● Output Waveform

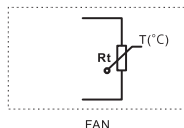


- Output Level  
Voh= 5,0V ± 0,5V  
Vol=0-0,6V  
Ic=5 mA (Max.)

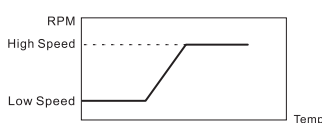
## ● Thermal Control(TC)

Controls the fan speed via an thermistor which changes with the temperature of the task area where the thermistor is located.

### ● Application



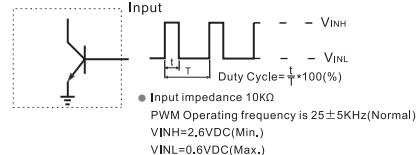
### ● RPM Temperature curve



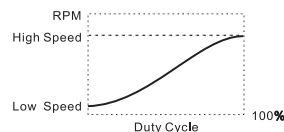
## ● Pulse Width Modulation(PWM)

Controls the fan speed automatically via an external input Pulse Width Modulation signal

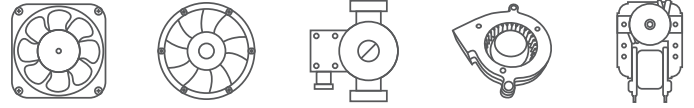
### ● Application



### ● RPM & Duty Cycle Curve

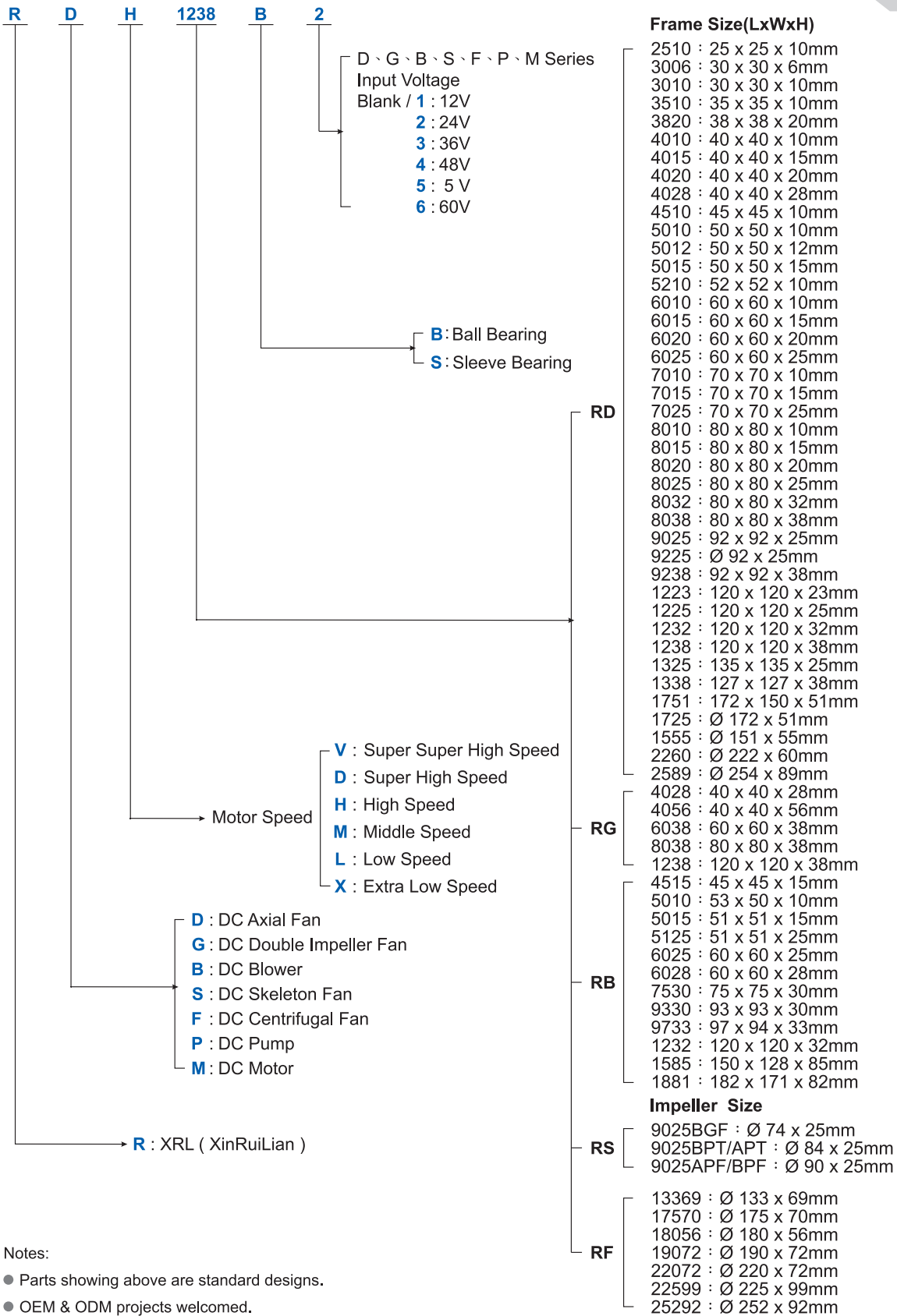


Notes



# DC Series

# Model Numbering System



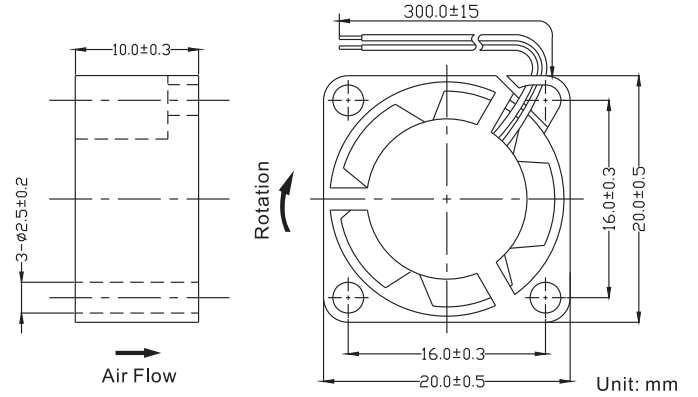
**Notes:**

- Parts showing above are standard designs.
- OEM & ODM projects welcomed.



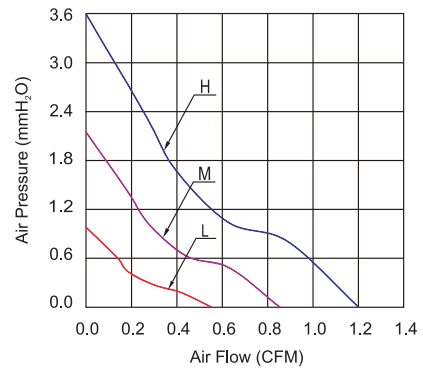


**Dimensions Drawing**



- **General Specification**
- Frame and Impeller : Thermal Plastic , UL 94V-0
- Lead Wires : UL Type  
(+) : Red (-) : Black
- Operation Temperature : -10°C~70°C  
5%~90%RH
- Storage Temperature : -40°C~75°C  
5%~95%RH
- 

**Performance Curves**



Listed Model	Bearing System	Rated Voltage	Operation Voltage	Rated Current	Rated Speed	Air Flow	Air Pressure	Noise Level	Available Features (Optional)				Weight
		VDC	VDC	A	RPM	CFM	mmH <sub>2</sub> O	dBA	Tachometer Output	Rotation Detector	Thermal Control	Pulse Width Modulation	g
DFS201005H	Sleeve	5	4.0~6.0	0.20	13000	1.2	3.6	31	•				4.8
DFS201005M			4.0~6.0	0.16	10000	0.9	2.1	28	•				
DFS201005L			4.0~6.0	0.12	7000	0.6	1.0	25	•				
DFB201005H	Ball		4.0~6.0	0.20	13000	1.2	3.6	31	•				
DFB201005M			4.0~6.0	0.16	10000	0.9	2.1	28	•				
DFB201005L			4.0~6.0	0.12	7000	0.6	1.0	25	•				
DFS201012H	Sleeve	12	10.8~13.2	0.09	13000	1.2	3.6	31	•				
DFS201012M			10.8~13.2	0.075	10000	0.9	2.1	28	•				
DFS201012L			10.8~13.2	0.06	7000	0.6	1.0	25	•				
DFS201012H	Ball		10.8~13.2	0.09	13000	1.2	3.6	31	•				
DFS201012M			10.8~13.2	0.075	10000	0.9	2.1	28	•				
DFS201012L			10.8~13.2	0.06	7000	0.6	1.0	25	•				

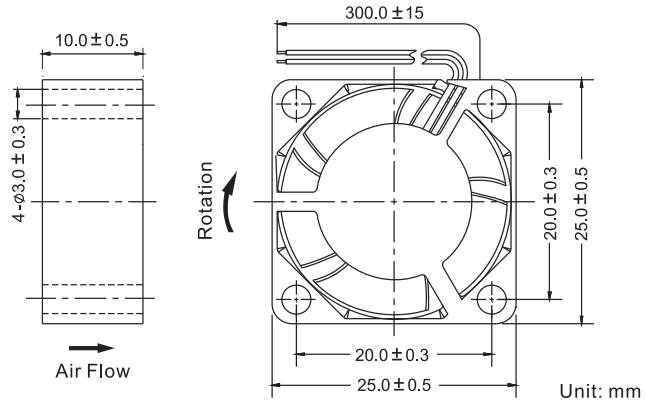
● All readings are typical values at rated voltage.  
● Specifications are subjected to change without prior notice.

**25 x 25 x 10 mm**

**D Series**

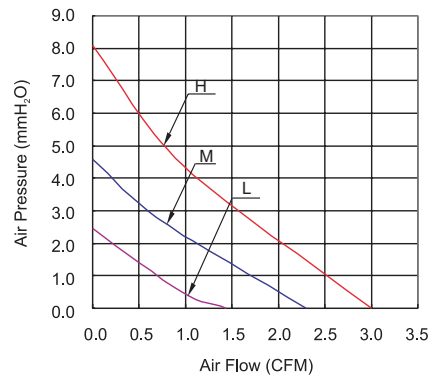


**Dimensions Drawing**



- **General Specification**
- Frame and Impeller : Thermal Plastic , UL 94V-0
- Lead Wires : UL Type  
(+) : Red (-) : Black
- Operation Temperature : -10°C~70°C  
35%~85%RH
- Storage Temperature : -40°C~80°C  
35%~85%RH
- 

**Performance Curves**



Listed Model	Bearing System	Rated Voltage	Operation Voltage	Rated Current	Rated Speed	Air Flow	Air Pressure	Noise Level	Available Features (Optional)				Weight
		VDC	VDC	A	RPM	CFM	mmH <sub>2</sub> O	dBA	Tachometer Output	Rotation Detector	Thermal Control	Pulse Width Modulation	g
RDH2510S5	Sleeve	5	4.0~5.75	0.16	13,000	3.0	8.1	30	•	•			7
RDM2510S5			4.0~5.75	0.12	10,000	2.3	4.6	23	•	•			
RDL2510S5			4.0~5.75	0.08	7,000	1.4	2.5	19	•	•			
RDH2510B5	Ball		4.0~5.75	0.16	13,000	3.0	8.1	30	•	•			
RDM2510B5			4.0~5.75	0.12	10,000	2.3	4.6	23	•	•			
RDL2510B5			4.0~5.75	0.08	7,000	1.4	2.5	19	•	•			
RDH2510S	Sleeve	12	6.0~13.8	0.10	13,000	3.0	8.1	30	•	•			7
RDM2510S			6.0~13.8	0.08	10,000	2.3	4.6	23	•	•			
RDL2510S			6.0~13.8	0.06	7,000	1.4	2.5	19	•	•			
RDH2510B	Ball		6.0~13.8	0.10	13,000	3.0	8.1	30	•	•			
RDM2510B			6.0~13.8	0.08	10,000	2.3	4.6	23	•	•			
RDL2510B			6.0~13.8	0.06	7,000	1.4	2.5	19	•	•			

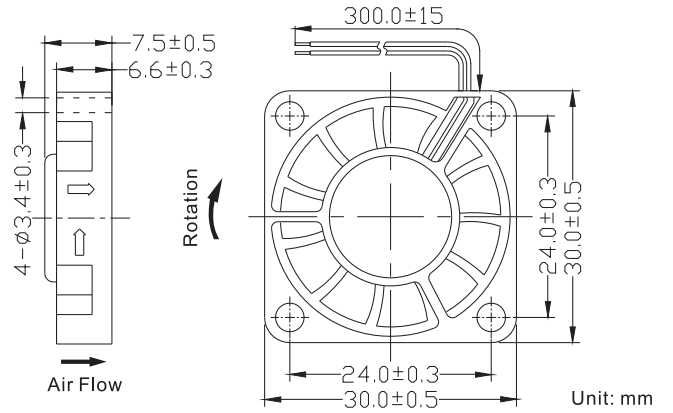
● All readings are typical values at rated voltage.  
● Specifications are subjected to change without prior notice.

**30 x 30 x 06 mm**

**D Series**

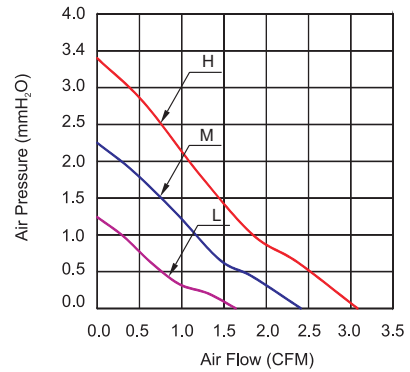


**Dimensions Drawing**



- **General Specification**
- Frame and Impeller : Thermal Plastic , UL 94V-0
- Lead Wires : UL Type  
(+) : Red (-) : Black
- Operation Temperature : -10°C~70°C  
5%~90%RH
- Storage Temperature : -40°C~75°C  
5%~95%RH
- (5V 12V)

**Performance Curves**



Listed Model	Bearing System	Rated Voltage	Operation Voltage	Rated Current	Rated Speed	Air Flow	Air Pressure	Noise Level	Available Features (Optional)				Weight
		VDC	VDC	A	RPM	CFM	mmH <sub>2</sub> O	dBA	Tachometer Output	Rotation Detector	Thermal Control	Pulse Width Modulation	g
DFS300605H	Sleeve	5	4.0~6.0	0.20	8,000	2.41	2.25	28	•	•			5
DFS300605M			4.0~6.0	0.12	6,000	1.64	1.24	22	•	•			
DFB300605H	Ball		4.0~6.0	0.20	8,000	2.41	2.25	28	•	•			
DFB300605M			4.0~6.0	0.12	6,000	1.64	1.24	22	•	•			
DFS300612H	Sleeve	12	10.8~13.2	0.12	8,000	2.41	2.25	28	•	•			
DFS300612M			10.8~13.2	0.10	6,000	1.64	1.24	22	•	•			
DFB300612H	Ball		10.8~13.2	0.12	10,000	3.08	3.40	32	•	•			
DFB300612M			10.8~13.2	0.10	8,000	2.41	2.25	28	•	•			

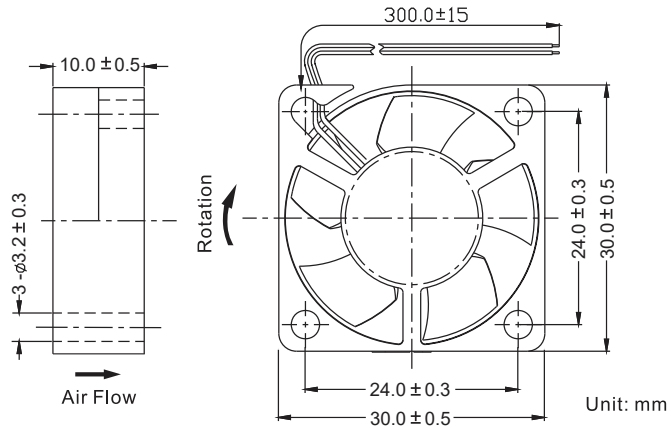
● All readings are typical values at rated voltage.  
● Specifications are subjected to change without prior notice.

**30 x 30 x 10 mm**

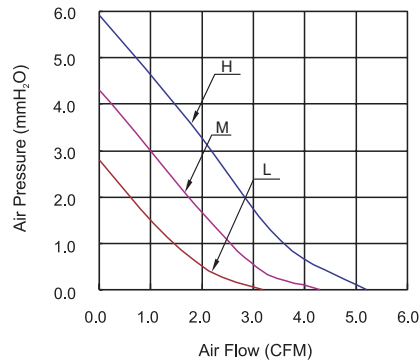
**D Series**



**Dimensions Drawing**



**Performance Curves**



- **General Specification**
- Frame and Impeller : Thermal Plastic , UL 94V-0
- Lead Wires : UL Type  
(+) : Red (-) : Black
- Operation Temperature : -10°C~70°C  
35%~85%RH
- Storage Temperature : -40°C~80°C  
35%~85%RH
- 

Listed Model	Bearing System	Rated Voltage	Operation Voltage	Rated Current	Rated Speed	Air Flow	Air Pressure	Noise Level	Available Features (Optional)				Weight
		VDC	VDC	A	RPM	CFM	mmH <sub>2</sub> O	dBA	Tachometer Output	Rotation Detector	Thermal Control	Pulse Width Modulation	g
RDH3010S5	Sleeve	5	4.0~5.75	0.20	11,000	5.2	5.9	32	•	•			8.5
RDM3010S5			4.0~5.75	0.14	9,000	4.3	4.3	27	•	•			
RDL3010S5			4.0~5.75	0.12	7,000	3.2	2.8	23	•	•			
RDH3010B5	Ball		4.0~5.75	0.20	11,000	5.2	5.9	32	•	•			
RDM3010B5			4.0~5.75	0.14	9,000	4.3	4.3	27	•	•			
RDL3010B5			4.0~5.75	0.12	7,000	3.2	2.8	23	•	•			
RDH3010S	Sleeve	12	6.0~13.8	0.10	11,000	5.2	5.9	32	•	•			
RDM3010S			6.0~13.8	0.09	9,000	4.3	4.3	27	•	•			
RDL3010S			6.0~13.8	0.06	7,000	3.2	2.8	23	•	•			
RDH3010B	Ball		6.0~13.8	0.10	11,000	5.2	5.9	32	•	•			
RDM3010B			6.0~13.8	0.09	9,000	4.3	4.3	27	•	•			
RDL3010B			6.0~13.8	0.06	7,000	3.2	2.8	23	•	•			

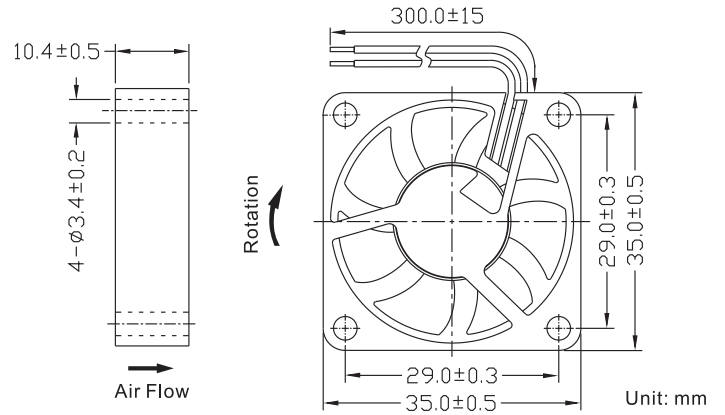
● All readings are typical values at rated voltage.  
● Specifications are subjected to change without prior notice.

**35 x 35 x 10 mm**

**D Series**



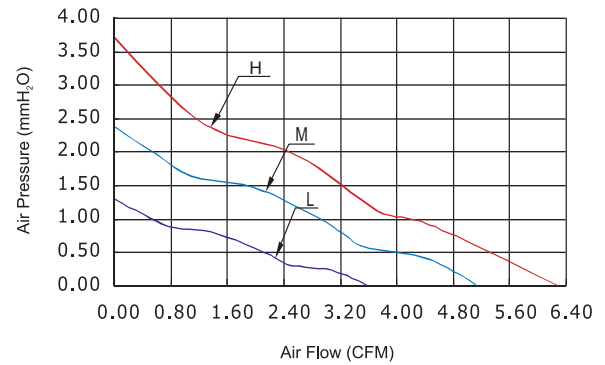
**Dimensions Drawing**



**General Specification**

- Frame and Impeller : Thermal Plastic , UL 94V-0
- Lead Wires : UL Type  
(+) : Red (-) : Black
- Operation Temperature : -10°C~70°C  
5%~90%RH
- Storage Temperature : -40°C~75°C  
5%~95%RH
- (5V)
- (12V)

**Performance Curves**



Listed Model	Bearing System	Rated Voltage	Operation Voltage	Rated Current	Rated Speed	Air Flow	Air Pressure	Noise Level	Available Features (Optional)				Weight
		VDC	VDC	A	RPM	CFM	mmH <sub>2</sub> O	dBA	Tachometer Output	Rotation Detector	Thermal Control	Pulse Width Modulation	g
DFS351005H	Sleeve	5	4.0~6.0	0.23	9,000	6.3	3.7	32	•	•			9
DFS351005M			4.0~6.0	0.22	7,000	5.1	2.4	25	•	•			
DFS351005L			4.0~6.0	0.13	5,000	3.5	1.3	20	•	•			
DFB351005H	Ball		4.0~6.0	0.23	9,000	6.3	3.7	32	•	•			
DFB351005M			4.0~6.0	0.22	7,000	5.1	2.4	25	•	•			
DFB351005L			4.0~6.0	0.13	5,000	3.5	1.3	20	•	•			
DFS351012H	Sleeve	12	10.8~13.2	0.10	9,000	6.3	3.7	32	•	•			
DFS351012M			10.8~13.2	0.09	7,000	5.1	2.4	25	•	•			
DFS351012L			10.8~13.2	0.08	5,000	3.5	1.3	20	•	•			
DFB351012H	Ball		10.8~13.2	0.10	9,000	6.3	3.7	32	•	•			
DFB351012M			10.8~13.2	0.09	7,000	5.1	2.4	25	•	•			
DFB351012L			10.8~13.2	0.08	5,000	3.5	1.3	20	•	•			

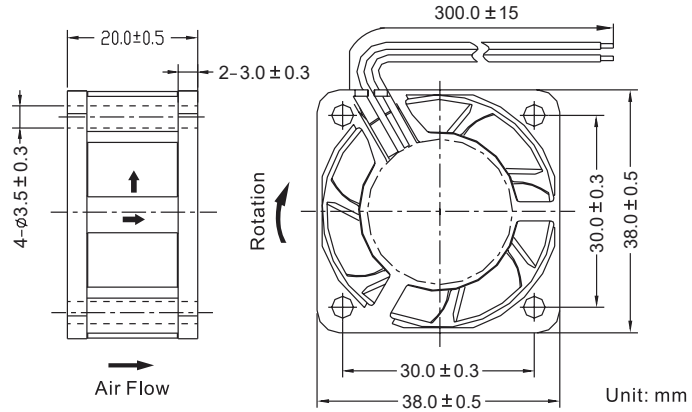
● All readings are typical values at rated voltage.  
● Specifications are subjected to change without prior notice.

**38 x 38 x 20 mm**

**D Series**

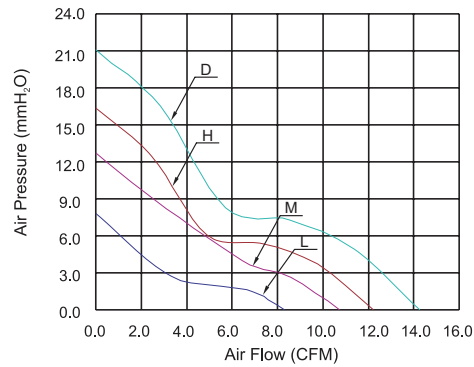


**Dimensions Drawing**



- **General Specification**
- Frame and Impeller : Thermal Plastic , UL 94V-0
- Lead Wires : UL Type  
(+) : Red (-) : Black
- Operation Temperature : -10°C~70°C  
35%~85%RH
- Storage Temperature : -40°C~80°C  
35%~85%RH

**Performance Curves**

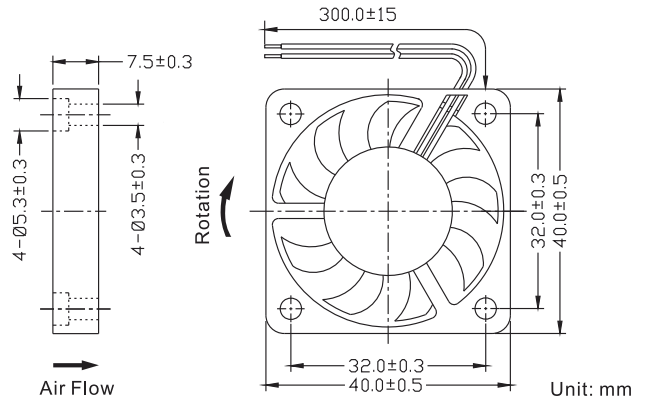


Listed Model	Bearing System	Rated Voltage	Operation Voltage	Rated Current	Rated Speed	Air Flow	Air Pressure	Noise Level	Available Features (Optional)				Weight g
		VDC	VDC	A	RPM	CFM	mmH <sub>2</sub> O	dBA	Tachometer Output	Rotation Detector	Thermal Control	Pulse Width Modulation	
RDD3820S1	Sleeve	12	6.0~13.8	0.32	15,000	14.2	21.0	44	•	•	•	•	28
RDH3820S1			6.0~13.8	0.28	13,000	12.2	16.3	42	•	•	•	•	
RDM3820S1			6.0~13.8	0.25	11,000	10.6	12.3	39	•	•	•	•	
RDL3820S1			6.0~13.8	0.18	9,000	8.3	7.7	33	•	•	•	•	
RDD3820B1	Ball		6.0~13.8	0.32	15,000	14.2	21.0	44	•	•	•	•	
RDH3820B1			6.0~13.8	0.28	13,000	12.2	16.3	42	•	•	•	•	
RDM3820B1			6.0~13.8	0.25	11,000	10.6	12.3	39	•	•	•	•	
RDL3820B1			6.0~13.8	0.18	9,000	8.3	7.7	33	•	•	•	•	

● All readings are typical values at rated voltage.  
● Specifications are subjected to change without prior notice.

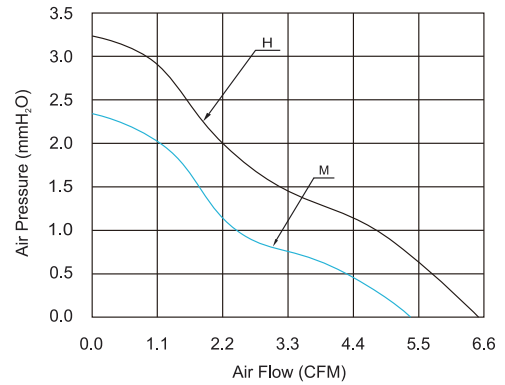


**Dimensions Drawing**



- **General Specification**
- Frame and Impeller : Thermal Plastic , UL 94V-0
- Lead Wires : UL Type  
(+) : Red (-) : Black
- Operation Temperature : -10°C~70°C  
5%~90%RH
- Storage Temperature : -40°C~75°C  
5%~95%RH
- 

**Performance Curves**



Listed Model	Bearing System	Rated Voltage	Operation Voltage	Rated Current	Rated Speed	Air Flow	Air Pressure	Noise Level	Available Features (Optional)				Weight g
		VDC	VDC	A	RPM	CFM	mmH <sub>2</sub> O	dBA	Tachometer Output	Rotation Detector	Thermal Control	Pulse Width Modulation	
DFS400705H	Sleeve	5	10.8~13.2	0.13	7,500	6.5	3.3	34	•				10.5
DFS400705M			10.8~13.2	0.11	6,500	5.4	2.4	30	•				
DFB400705H	2 Balls		10.8~13.2	0.13	7,500	6.5	3.3	34	•				
DFB400705M			10.8~13.2	0.11	6,500	5.4	2.4	30	•				
DFS400712H	Sleeve	12	4.0~6.0	0.25	7,500	6.5	3.3	34	•				
DFS400712M			4.0~6.0	0.23	6,500	5.4	2.4	30	•				
DFB400712H	2 Balls		4.0~6.0	0.25	7,500	6.5	3.3	34	•				
DFB400712M			4.0~6.0	0.23	6,500	5.4	2.4	30	•				

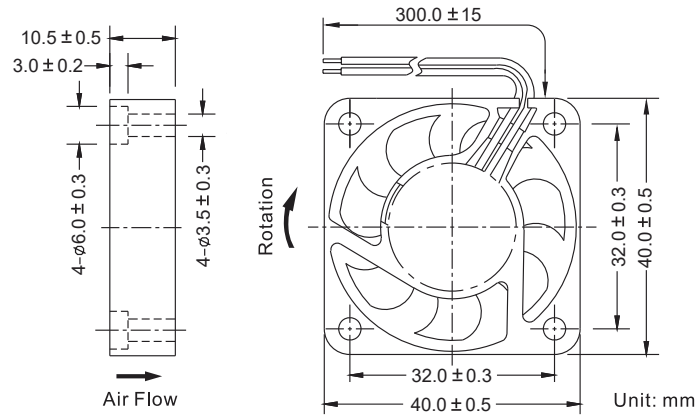
● All readings are typical values at rated voltage.  
● Specifications are subjected to change without prior notice.

**40 x 40 x 10 mm**

**D Series**

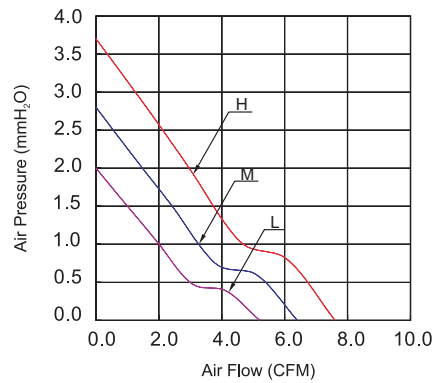


**Dimensions Drawing**



- **General Specification**
- Frame and Impeller : Thermal Plastic , UL 94V-0
- Lead Wires : UL Type  
(+) : Red (-) : Black
- Operation Temperature : -10°C~70°C  
35%~85%RH
- Storage Temperature : -40°C~80°C  
35%~85%RH
- 

**Performance Curves**



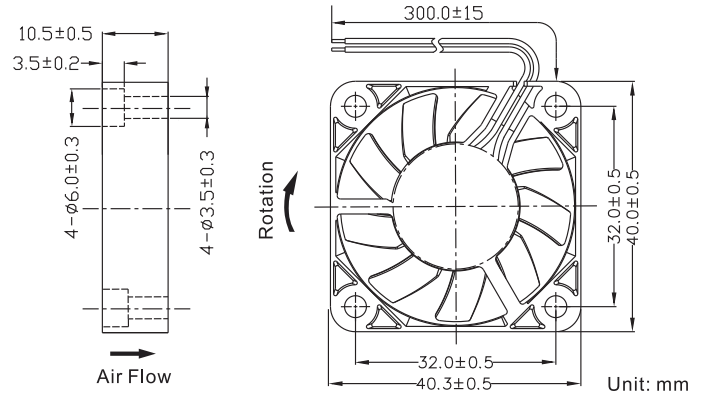
Listed Model	Bearing System	Rated Voltage	Operation Voltage	Rated Current	Rated Speed	Air Flow	Air Pressure	Noise Level	Available Features (Optional)				Weight
		VDC	VDC	A	RPM	CFM	mmH <sub>2</sub> O	dBA	Tachometer Output	Rotation Detector	Thermal Control	Pulse Width Modulation	g
RDH4010S5	Sleeve	5	3.5~5.75	0.20	7,000	7.6	3.7	35	•	•			16
RDM4010S5			3.5~5.75	0.16	6,000	6.4	2.8	31	•	•			
RDL4010S5			3.5~5.75	0.13	5,000	5.2	2.0	27	•	•			
RDH4010B5	Ball		3.5~5.75	0.20	7,000	7.6	3.7	35	•	•			
RDM4010B5			3.5~5.75	0.16	6,000	6.4	2.8	31	•	•			
RDL4010B5			3.5~5.75	0.13	5,000	5.2	2.0	27	•	•			
RDH4010S1	Sleeve	12	6.0~13.8	0.09	7,000	7.6	3.7	35	•	•			
RDM4010S1			6.0~13.8	0.07	6,000	6.4	2.8	31	•	•			
RDL4010S1			7.0~13.8	0.06	5,000	5.2	2.0	27	•	•			
RDH4010B1	Ball		6.0~13.8	0.09	7,000	7.6	3.7	35	•	•			
RDM4010B1			6.0~13.8	0.07	6,000	6.4	2.8	31	•	•			
RDL4010B1			7.0~13.8	0.06	5,000	5.2	2.0	27	•	•			
RDH4010S2	Sleeve	24	12.0~27.6	0.09	7,000	7.6	3.7	35	•	•			
RDM4010S2			12.0~27.6	0.06	6,000	6.4	2.8	31	•	•			
RDL4010S2			16.0~27.6	0.05	5,000	5.2	2.0	27	•	•			
RDH4010B2	Ball		12.0~27.6	0.09	7,000	7.6	3.7	35	•	•			
RDM4010B2			12.0~27.6	0.06	6,000	6.4	2.8	31	•	•			
RDL4010B2			16.0~27.6	0.05	5,000	5.2	2.0	27	•	•			

● All readings are typical values at rated voltage.  
● Specifications are subjected to change without prior notice.





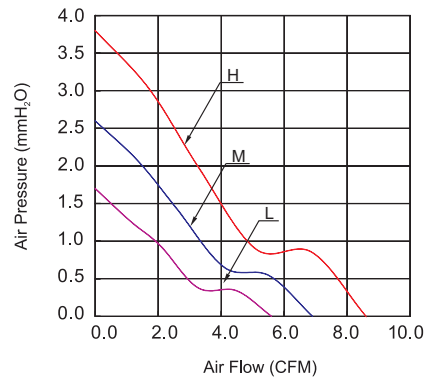
**Dimensions Drawing**



**General Specification**

- Frame and Impeller : Thermal Plastic , UL 94V-0
- Lead Wires : UL Type  
(+) : Red (-) : Black
- Operation Temperature : -10°C~70°C  
35%~85%RH
- Storage Temperature : -40°C~80°C  
35%~85%RH
- 

**Performance Curves**



Listed Model	Bearing System	Rated Voltage	Operation Voltage	Rated Current	Rated Speed	Air Flow	Air Pressure	Noise Level	Available Features (Optional)				Weight
		VDC	VDC	A	RPM	CFM	mmH <sub>2</sub> O	dBA	Tachometer Output	Rotation Detector	Thermal Control	Pulse Width Modulation	g
RDH4010S5	Sleeve	5	3.5~5.75	0.20	6,500	8.6	3.8	32	•	•			16
RDM4010S5			3.5~5.75	0.16	5,500	6.9	2.6	28	•	•			
RDL4010S5			3.5~5.75	0.13	4,500	5.6	1.7	25	•	•			
RDH4010B5	Ball		3.5~5.75	0.20	6,500	8.6	3.8	32	•	•			
RDM4010B5			3.5~5.75	0.16	5,500	6.9	2.6	28	•	•			
RDL4010B5			3.5~5.75	0.13	4,500	5.6	1.7	25	•	•			
RDH4010S1	Sleeve	12	6.0~13.8	0.09	6,500	8.6	3.8	32	•	•			
RDM4010S1			6.0~13.8	0.07	5,500	6.9	2.6	28	•	•			
RDL4010S1			7.0~13.8	0.06	4,500	5.6	1.7	25	•	•			
RDH4010B1	Ball		6.0~13.8	0.09	6,500	8.6	3.8	32	•	•			
RDM4010B1			6.0~13.8	0.07	5,500	6.9	2.6	28	•	•			
RDL4010B1			7.0~13.8	0.06	4,500	5.6	1.7	25	•	•			
RDH4010S2	Sleeve	24	12.0~27.6	0.09	6,500	8.6	3.8	32	•	•			
RDM4010S2			12.0~27.6	0.06	5,500	6.9	2.6	28	•	•			
RDL4010S2			16.0~27.6	0.05	4,500	5.6	1.7	25	•	•			
RDH4010B2	Ball		12.0~27.6	0.09	6,500	8.6	3.8	32	•	•			
RDM4010B2			12.0~27.6	0.06	5,500	6.9	2.6	28	•	•			
RDL4010B2			16.0~27.6	0.05	4,500	5.6	1.7	25	•	•			

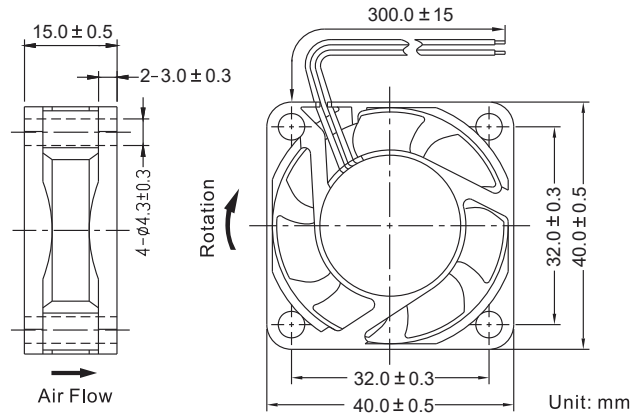
● All readings are typical values at rated voltage.  
● Specifications are subjected to change without prior notice.

**40 x 40 x 15 mm**

**D Series**



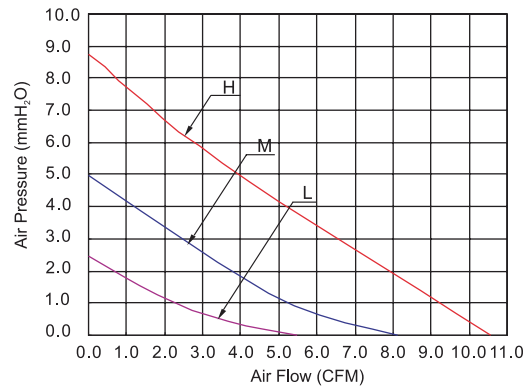
**Dimensions Drawing**



**General Specification**

- Frame and Impeller : Thermal Plastic , UL 94V-0
- Lead Wires : UL Type  
(+) : Red (-) : Black
- Operation Temperature : -10°C~70°C  
35%~85%RH
- Storage Temperature : -40°C~80°C  
35%~85%RH
- 

**Performance Curves**

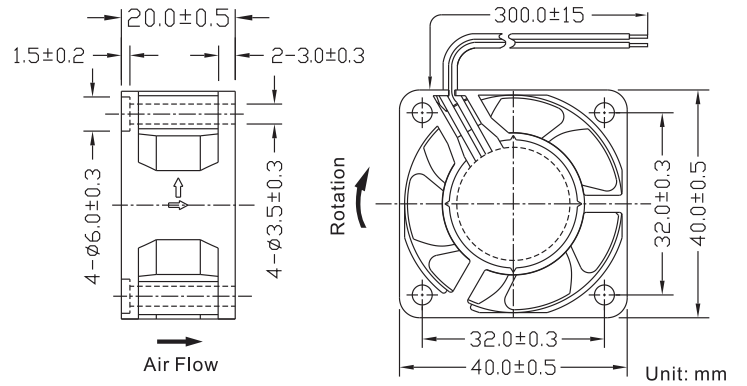


Listed Model	Bearing System	Rated Voltage	Operation Voltage	Rated Current	Rated Speed	Air Flow	Air Pressure	Noise Level	Available Features (Optional)				Weight
		VDC	VDC	A	RPM	CFM	mmH <sub>2</sub> O	dBA	Tachometer Output	Rotation Detector	Thermal Control	Pulse Width Modulation	g
RDH4015S1	Sleeve	12	6.0~13.8	0.26	8,500	10.6	8.8	37	•	•			23.5
RDM4015S1			6.0~13.8	0.18	6,500	8.1	5.0	30	•	•			
RDL4015S1			6.0~13.8	0.10	4,500	5.5	2.5	21	•	•			
RDH4015B1	Ball		6.0~13.8	0.26	8,500	10.6	8.8	37	•	•			
RDM4015B1			6.0~13.8	0.18	6,500	8.1	5.0	30	•	•			
RDL4015B1			6.0~13.8	0.10	4,500	5.5	2.5	21	•	•			
RDH4015C1	One Ball One Sleeve		6.0~13.8	0.26	8,500	10.6	8.8	37	•	•			
RDM4015C1			6.0~13.8	0.18	6,500	8.1	5.0	30	•	•			
RDL4015C1			6.0~13.8	0.10	4,500	5.5	2.5	21	•	•			

● All readings are typical values at rated voltage.  
● Specifications are subjected to change without prior notice.

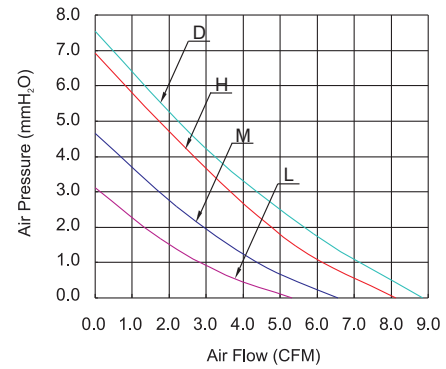


**Dimensions Drawing**



- **General Specification**
- Frame and Impeller : Thermal Plastic , UL 94V-0
- Lead Wires : UL Type  
(+) : Red (-) : Black
- Operation Temperature : -10°C~70°C  
35%~85%RH
- Storage Temperature : -40°C~80°C  
35%~85%RH
- 

**Performance Curves**



Listed Model	Bearing System	Rated Voltage	Operation Voltage	Rated Current	Rated Speed	Air Flow	Air Pressure	Noise Level	Available Features (Optional)				Weight
		VDC	VDC	A	RPM	CFM	mmH <sub>2</sub> O	dBA	Tachometer Output	Rotation Detector	Thermal Control	Pulse Width Modulation	g
RDD4020S5	Sleeve	5	3.5~5.75	0.40	8,000	8.9	7.5	33	•	•			29
RDH4020S5			3.5~5.75	0.28	7,500	8.1	6.9	31	•	•			
RDM4020S5			3.5~5.75	0.25	6,200	6.6	4.7	27	•	•			
RDL4020S5			3.5~5.75	0.20	5,000	5.3	3.1	23	•	•			
RDD4020B5	Ball		3.5~5.75	0.40	8,000	8.9	7.5	33	•	•			
RDH4020B5			3.5~5.75	0.28	7,500	8.1	6.9	31	•	•			
RDM4020B5			3.5~5.75	0.25	6,200	6.6	4.7	27	•	•			
RDL4020B5			3.5~5.75	0.20	5,000	5.3	3.1	23	•	•			
RDH4020S	Sleeve	12	6.0~13.8	0.12	8,000	8.9	7.5	33	•	•			
RDH4020S			6.0~13.8	0.12	7,500	8.1	6.9	31	•	•			
RDM4020S			6.0~13.8	0.10	6,200	6.6	4.7	27	•	•			
RDL4020S			6.0~13.8	0.06	5,000	5.3	3.1	23	•	•			
RDH4020B	Ball		6.0~13.8	0.12	8,000	8.9	7.5	33	•	•			
RDH4020B			6.0~13.8	0.12	7,500	8.1	6.9	31	•	•			
RDM4020B			6.0~13.8	0.10	6,200	6.6	4.7	27	•	•			
RDL4020B			6.0~13.8	0.06	5,000	5.3	3.1	23	•	•			
RDD4020S2	Sleeve	24	12.0~27.6	0.09	8,000	8.9	7.5	33	•	•			
RDH4020S2			12.0~27.6	0.07	7,500	8.1	6.9	31	•	•			
RDM4020S2			12.0~27.6	0.06	6,200	6.6	4.7	27	•	•			
RDL4020S2			12.0~27.6	0.05	5,000	5.3	3.1	23	•	•			
RDD4020B2	Ball		12.0~27.6	0.09	8,000	8.9	7.5	33	•	•			
RDH4020B2			12.0~27.6	0.07	7,500	8.1	6.9	31	•	•			
RDM4020B2			12.0~27.6	0.06	6,200	6.6	4.7	27	•	•			
RDL4020B2			12.0~27.6	0.05	5,000	5.3	3.1	23	•	•			

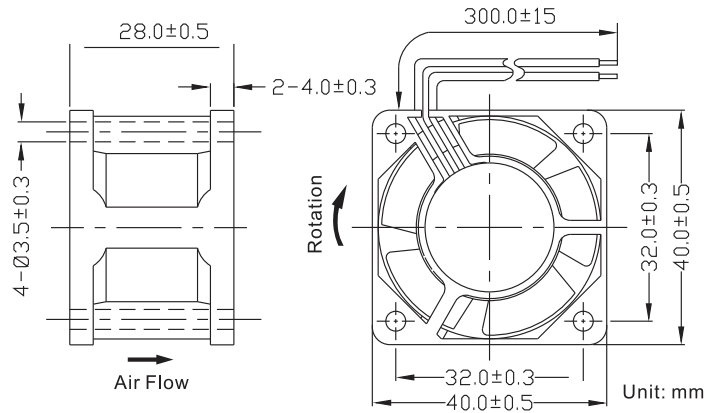
● All readings are typical values at rated voltage.  
● Specifications are subjected to change without prior notice.

**40 x 40 x 28 mm**

**D Series**



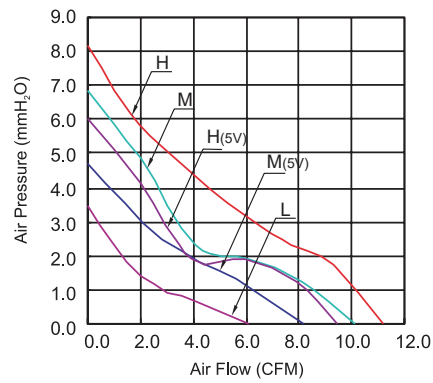
**Dimensions Drawing**



**General Specification**

- Frame and Impeller : Thermal Plastic , UL 94V-0
- Lead Wires : UL Type  
(+) : Red (-) : Black
- Operation Temperature : -10°C~70°C  
35%~85%RH
- Storage Temperature : -40°C~80°C  
35%~85%RH
- 

**Performance Curves**

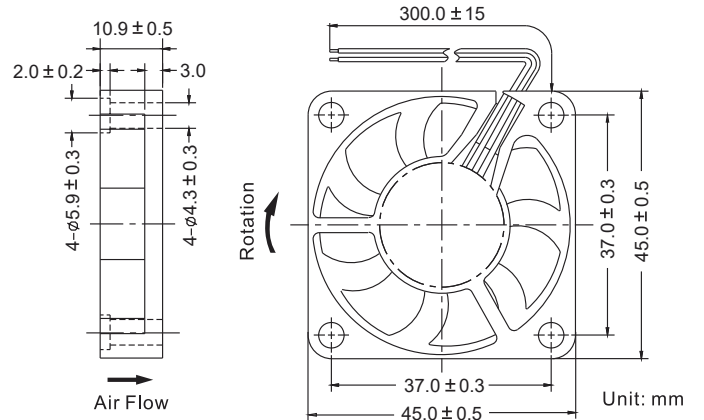


Listed Model	Bearing System	Rated Voltage	Operation Voltage	Rated Current	Rated Speed	Air Flow	Air Pressure	Noise Level	Available Features (Optional)				Weight	
		VDC	VDC	A	RPM	CFM	mmH <sub>2</sub> O	dBA	Tachometer Output	Rotation Detector	Thermal Control	Pulse Width Modulation	g	
RDH4028S5	Sleeve	5	3.5~5.75	0.35	7,500	9.4	6.0	32	•	•			36	
RDM4028S5			3.5~5.75	0.30	6,500	8.2	4.7	28	•	•				
RDL4028S5			3.5~5.75	0.22	5,000	6.1	3.5	23	•	•				
RDH4028B5			Ball	3.5~5.75	0.35	7,500	9.4	6.0	32	•	•			
RDM4028B5				3.5~5.75	0.30	6,500	8.2	4.7	28	•	•			
RDL4028B5				3.5~5.75	0.22	5,000	6.1	3.5	23	•	•			
RDH4028S	Sleeve	12	6.0~13.8	0.20	8,800	11.2	8.1	36	•	•				
RDM4028S			6.0~13.8	0.18	8,000	10.1	6.8	33	•	•				
RDL4028S			6.0~13.8	0.12	5,000	6.1	3.5	23	•	•				
RDH4028B			Ball	6.0~13.8	0.20	8,800	11.2	8.1	36	•	•			
RDM4028B				6.0~13.8	0.18	8,000	10.1	6.8	33	•	•			
RDL4028B				6.0~13.8	0.12	5,000	6.1	3.5	23	•	•			
RDH4028S2	Sleeve	24	12.0~27.6	0.16	8,800	11.2	8.1	36	•	•				
RDM4028S2			12.0~27.6	0.12	8,000	10.1	6.8	33	•	•				
RDL4028S2			12.0~27.6	0.09	5,000	6.1	3.5	23	•	•				
RDH4028B2			Ball	12.0~27.6	0.16	8,800	11.2	8.1	36	•	•			
RDM4028B2				12.0~27.6	0.12	8,000	10.1	6.8	33	•	•			
RDL4028B2				12.0~27.6	0.09	5,000	6.1	3.5	23	•	•			

● All readings are typical values at rated voltage.  
● Specifications are subjected to change without prior notice.



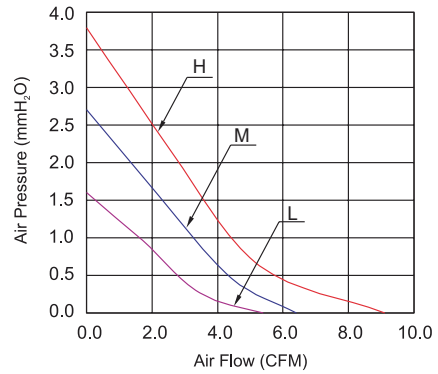
**Dimensions Drawing**



**General Specification**

- Frame and Impeller : Thermal Plastic , UL 94V-0
- Lead Wires : UL Type  
(+) : Red (-) : Black
- Operation Temperature : -10°C~70°C  
35%~85%RH
- Storage Temperature : -40°C~80°C  
35%~85%RH
- 

**Performance Curves**



Listed Model	Bearing System	Rated Voltage	Operation Voltage	Rated Current	Rated Speed	Air Flow	Air Pressure	Noise Level	Available Features (Optional)				Weight
		VDC	VDC	A	RPM	CFM	mmH <sub>2</sub> O	dBA	Tachometer Output	Rotation Detector	Thermal Control	Pulse Width Modulation	g
RDH4510B5	Ball	5	3.5~5.75	0.21	6,000	9.1	3.8	35	•	•			15
RDM4510B5			3.5~5.75	0.16	5,000	6.4	2.7	30	•	•			
RDL4510B5			3.5~5.75	0.13	4,000	5.4	1.6	25	•	•			
RDH4510B	Ball	12	6.0~13.8	0.10	6,000	9.1	3.8	35	•	•			
RDM4510B			6.0~13.8	0.09	5,000	6.4	2.7	30	•	•			
RDL4510B			7.0~13.8	0.08	4,000	5.4	1.6	25	•	•			

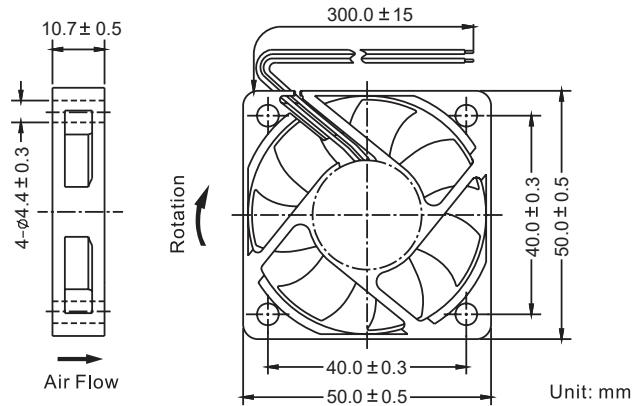
● All readings are typical values at rated voltage.  
● Specifications are subjected to change without prior notice.

**50 x 50 x 10 mm**

**D Series**

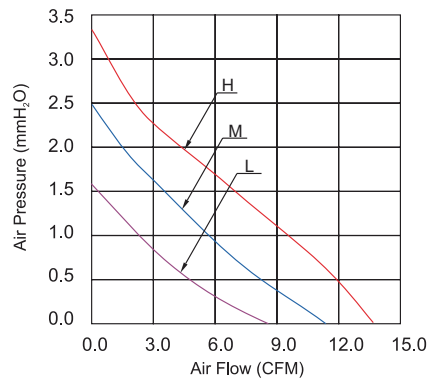


**Dimensions Drawing**



- **General Specification**
- Frame and Impeller : Thermal Plastic , UL 94V-0
- Lead Wires : UL Type  
(+) : Red (-) : Black
- Operation Temperature : -10°C~70°C  
35%~85%RH
- Storage Temperature : -40°C~80°C  
35%~85%RH
- 

**Performance Curves**



Listed Model	Bearing System	Rated Voltage	Operation Voltage	Rated Current	Rated Speed	Air Flow	Air Pressure	Noise Level	Available Features (Optional)				Weight g
		VDC	VDC	A	RPM	CFM	mmH <sub>2</sub> O	dBA	Tachometer Output	Rotation Detector	Thermal Control	Pulse Width Modulation	
RDH5010S5	Sleeve	5	3.5~5.75	0.30	5,300	13.2	3.3	32	•	•			19
RDM5010S5			3.5~5.75	0.20	4,500	11.0	2.5	28	•	•			
RDL5010S5			3.5~5.75	0.14	3,500	8.6	1.6	22	•	•			
RDH5010B5	Ball		3.5~5.75	0.30	5,300	13.2	3.3	32	•	•			
RDM5010B5			3.5~5.75	0.20	4,500	11.0	2.5	28	•	•			
RDL5010B5			3.5~5.75	0.14	3,500	8.6	1.6	22	•	•			
RDH5010S	Sleeve	12	6.0~13.8	0.16	5,300	13.2	3.3	32	•	•			
RDM5010S			6.0~13.8	0.08	4,500	11.0	2.5	28	•	•			
RDL5010S			7.0~13.8	0.07	3,500	8.6	1.6	22	•	•			
RDH5010B	Ball		6.0~13.8	0.16	5,300	13.2	3.3	32	•	•			
RDM5010B			6.0~13.8	0.08	4,500	11.0	2.5	28	•	•			
RDL5010B			7.0~13.8	0.07	3,500	8.6	1.6	22	•	•			

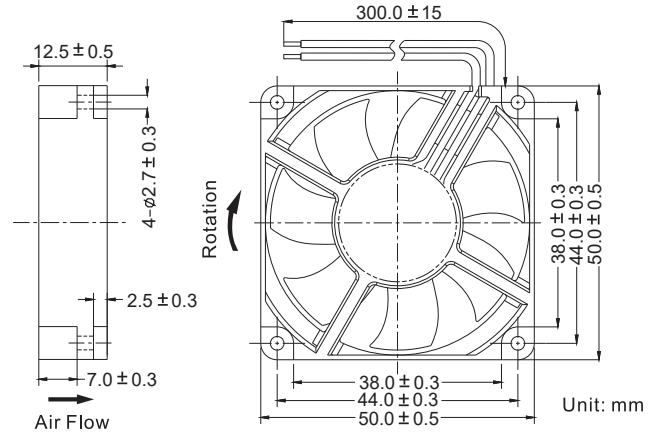
● All readings are typical values at rated voltage.  
● Specifications are subjected to change without prior notice.

**50 x 50 x 12 mm**

**D Series**

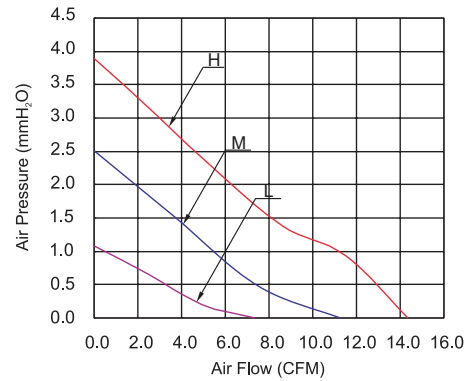


**Dimensions Drawing**



- **General Specification**
- Frame and Impeller : Thermal Plastic , UL 94V-0
- Lead Wires : UL Type  
(+) : Red (-) : Black
- Operation Temperature : -10°C~70°C  
35%~85%RH
- Storage Temperature : -40°C~80°C  
35%~85%RH
- 

**Performance Curves**



Listed Model	Bearing System	Rated Voltage	Operation Voltage	Rated Current	Rated Speed	Air Flow	Air Pressure	Noise Level	Available Features (Optional)				Weight g
		VDC	VDC	A	RPM	CFM	mmH <sub>2</sub> O	dBA	Tachometer Output	Rotation Detector	Thermal Control	Pulse Width Modulation	
RDH5012S1	Sleeve	12	6.0~13.8	0.16	6,000	14.4	3.9	36	•	•			22
RDM5012S1			6.0~13.8	0.10	4,500	11.3	2.5	28	•	•			
RDL5012S1			8.0~13.8	0.06	3,000	7.4	1.1	20	•	•			
RDH5012B1	Ball		6.0~13.8	0.16	6,000	14.4	3.9	36	•	•			
RDM5012B1			6.0~13.8	0.10	4,500	11.3	2.5	28	•	•			
RDL5012B1			8.0~13.8	0.06	3,000	7.4	1.1	20	•	•			

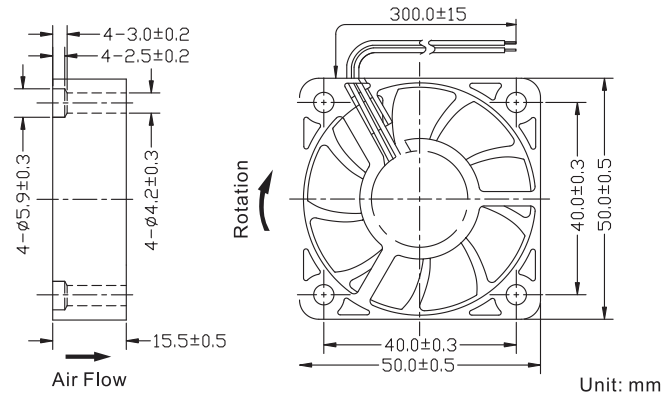
● All readings are typical values at rated voltage.  
● Specifications are subjected to change without prior notice.

**50 x 50 x 15 mm**

**D Series**



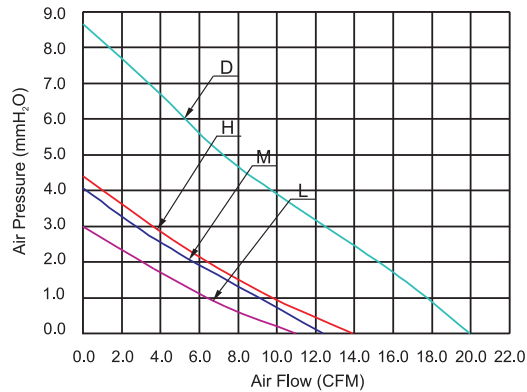
**Dimensions Drawing**



**General Specification**

- Frame and Impeller : Thermal Plastic , UL 94V-0
- Lead Wires : UL Type  
(+) : Red (-) : Black
- Operation Temperature : -10°C~70°C  
35%~85%RH
- Storage Temperature : -40°C~80°C  
35%~85%RH
- 

**Performance Curves**



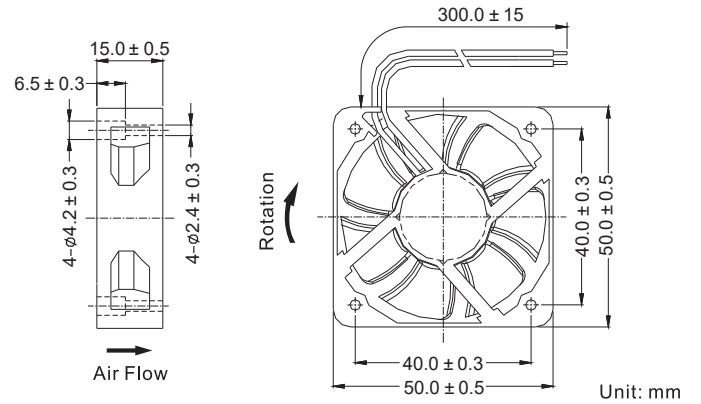
Listed Model	Bearing System	Rated Voltage	Operation Voltage	Rated Current	Rated Speed	Air Flow	Air Pressure	Noise Level	Available Features (Optional)				Weight
		VDC	VDC	A	RPM	CFM	mmH <sub>2</sub> O	dBA	Tachometer Output	Rotation Detector	Thermal Control	Pulse Width Modulation	g
RDH5015S5	Sleeve	5	3.5~5.75	0.33	5,500	13.9	4.4	32	•	•			30
RDM5015S5			3.5~5.75	0.25	5,000	12.4	4.1	30	•	•			
RDL5015S5			3.5~5.75	0.20	4,500	11.0	3.0	27	•	•			
RDH5015B5	Ball		3.5~5.75	0.33	5,500	13.9	4.4	32	•	•			
RDM5015B5			3.5~5.75	0.25	5,000	12.4	4.1	30	•	•			
RDL5015B5			3.5~5.75	0.20	4,500	11.0	3.0	27	•	•			
RDH5015S	Sleeve	12	6.0~13.8	0.16	5,500	13.9	4.4	32	•	•			
RDM5015S			6.0~13.8	0.14	5,000	12.4	4.1	30	•	•			
RDL5015S			6.0~13.8	0.12	4,500	11.0	3.0	27	•	•			
RDH5015B	Ball		6.0~13.8	0.16	5,500	13.9	4.4	32	•	•			
RDM5015B			6.0~13.8	0.14	5,000	12.4	4.1	30	•	•			
RDL5015B			6.0~13.8	0.12	4,500	11.0	3.0	27	•	•			
RDD5015S2	Sleeve	24	12.0~27.6	0.18	8,000	20.0	8.7	42	•	•			
RDH5015S2			12.0~27.6	0.10	5,500	13.9	4.4	32	•	•			
RDM5015S2			12.0~27.6	0.08	5,000	12.4	4.1	30	•	•			
RDL5015S2	12.0~27.6		0.06	4,500	11.0	3.0	27	•	•				
RDD5015B2	Ball		12.0~27.6	0.18	8,000	20.0	8.7	42	•	•			
RDH5015B2			12.0~27.6	0.10	5,500	13.9	4.4	32	•	•			
RDM5015B2		12.0~27.6	0.08	5,000	12.4	4.1	30	•	•				
RDL5015B2	12.0~27.6	0.06	4,500	11.0	3.0	27	•	•					

- All readings are typical values at rated voltage.
- Specifications are subjected to change without prior notice.



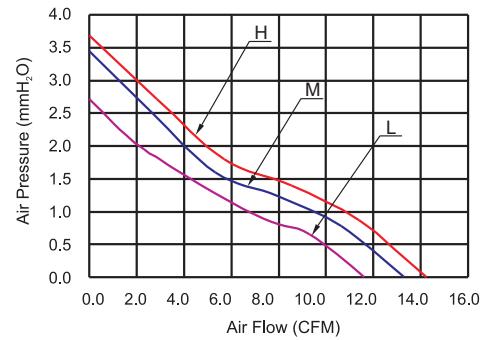


**Dimensions Drawing**



- **General Specification**
- Frame and Impeller : Thermal Plastic , UL 94V-0
- Lead Wires : UL Type  
(+) : Red (-) : Black
- Operation Temperature : -10°C~70°C  
35%~85%RH
- Storage Temperature : -40°C~80°C  
35%~85%RH
- 

**Performance Curves**

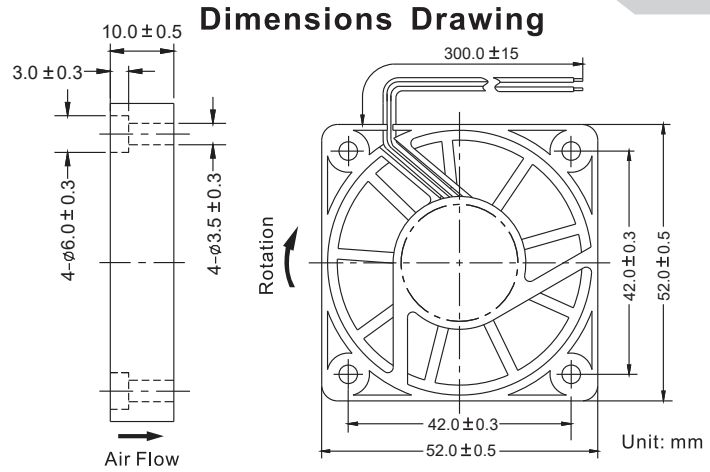


Listed Model	Bearing System	Rated Voltage	Operation Voltage	Rated Current	Rated Speed	Air Flow	Air Pressure	Noise Level	Available Features (Optional)				Weight
		VDC	VDC	A	RPM	CFM	mmH <sub>2</sub> O	dBA	Tachometer Output	Rotation Detector	Thermal Control	Pulse Width Modulation	g
RDH5015S5	Sleeve	5	3.5~5.75	0.33	5,500	14.2	3.6	31	•	•			31
RDM5015S5			3.5~5.75	0.25	5,000	13.3	3.4	27	•	•			
RDL5015S5			3.5~5.75	0.20	4,500	11.6	2.7	25	•	•			
RDH5015B5	Ball		3.5~5.75	0.33	5,500	14.2	3.6	31	•	•			
RDM5015B5			3.5~5.75	0.25	5,000	13.3	3.4	27	•	•			
RDL5015B5			3.5~5.75	0.20	4,500	11.6	2.7	25	•	•			
RDH5015S	Sleeve	12	6.0~13.8	0.16	5,500	14.2	3.6	31	•	•			
RDM5015S			6.0~13.8	0.14	5,000	13.3	3.4	27	•	•			
RDL5015S			6.0~13.8	0.12	4,500	11.6	2.7	25	•	•			
RDH5015B	Ball		6.0~13.8	0.16	5,500	14.2	3.6	31	•	•			
RDM5015B			6.0~13.8	0.14	5,000	13.3	3.4	27	•	•			
RDL5015B			6.0~13.8	0.12	4,500	11.6	2.7	25	•	•			
RDH5015S2	Sleeve	24	12.0~27.6	0.10	5,500	14.2	3.6	31	•	•			
RDM5015S2			12.0~27.6	0.08	5,000	13.3	3.4	27	•	•			
RDL5015S2			12.0~27.6	0.06	4,500	11.6	2.7	25	•	•			
RDH5015B2	Ball		12.0~27.6	0.10	5,500	14.2	3.6	31	•	•			
RDM5015B2			12.0~27.6	0.08	5,000	13.3	3.4	27	•	•			
RDL5015B2			12.0~27.6	0.06	4,500	11.6	2.7	25	•	•			

● All readings are typical values at rated voltage.  
● Specifications are subjected to change without prior notice.

**52 x 52 x 10 mm**

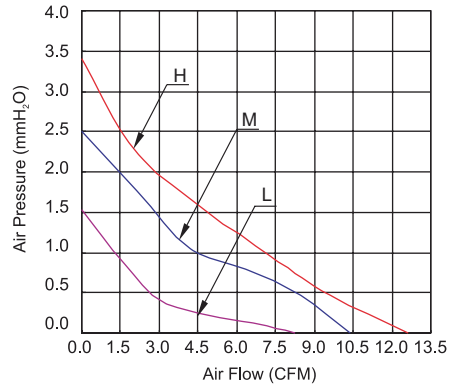
**D Series**



**General Specification**

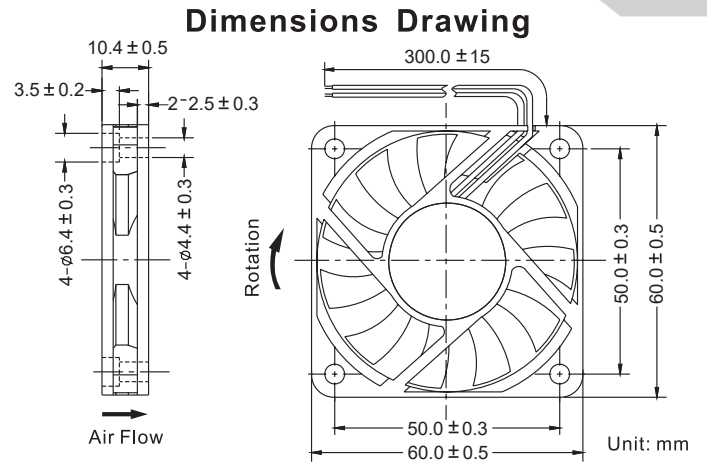
- Frame and Impeller : Thermal Plastic , UL 94V-0
- Lead Wires : UL Type  
(+) : Red (-) : Black
- Operation Temperature : -10°C~70°C  
38%~85%RH
- Storage Temperature : -40°C~80°C  
38%~85%RH
- 

**Performance Curves**



Listed Model	Bearing System	Rated Voltage	Operation Voltage	Rated Current	Rated Speed	Air Flow	Air Pressure	Noise Level	Available Features (Optional)				Weight
		VDC	VDC	A	RPM	CFM	mmH <sub>2</sub> O	dBA	Tachometer Output	Rotation Detector	Thermal Control	Pulse Width Modulation	g
RDH5210S	Sleeve	12	6.0~13.8	0.14	6,000	12.6	3.4	38	•	•			22
RDM5210S			6.0~13.8	0.12	5,000	10.4	2.5	33	•	•			
RDL5210S			6.0~13.8	0.09	4,000	8.2	1.6	27	•	•			
RDH5210B	Ball		6.0~13.8	0.14	6,000	12.6	3.4	38	•	•			
RDM5210B			6.0~13.8	0.12	5,000	10.4	2.5	33	•	•			
RDL5210B			6.0~13.8	0.09	4,000	8.2	1.6	27	•	•			

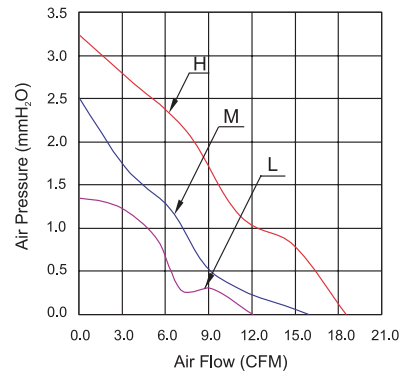
● All readings are typical values at rated voltage.  
● Specifications are subjected to change without prior notice.



**General Specification**

- Frame and Impeller : Thermal Plastic , UL 94V-0
- Lead Wires : UL Type
- (+) : Red (-) : Black
- Operation Temperature : -10°C~70°C  
35%~85%RH
- Storage Temperature : -40°C~80°C  
35%~85%RH
- (12V)
- (24V)

**Performance Curves**



Listed Model	Bearing System	Rated Voltage	Operation Voltage	Rated Current	Rated Speed	Air Flow	Air Pressure	Noise Level	Available Features (Optional)				Weight
		VDC	VDC	A	RPM	CFM	mmH <sub>2</sub> O	dBA	Tachometer Output	Rotation Detector	Thermal Control	Pulse Width Modulation	g
RDH6010S5	Sleeve	5	3.5~5.75	0.35	4,200	18.5	3.2	36	•	•			23
RDM6010S5			3.5~5.75	0.22	3,600	15.9	2.5	31	•	•			
RDL6010S5			3.5~5.75	0.17	3,000	12.1	1.4	27	•	•			
RDH6010B5	Ball		3.5~5.75	0.35	4,200	18.5	3.2	36	•	•			
RDM6010B5			3.5~5.75	0.22	3,600	15.9	2.5	31	•	•			
RDL6010B5			3.5~5.75	0.17	3,000	12.1	1.4	27	•	•			
RDH6010S1	Sleeve	12	6.0~13.8	0.22	4,200	18.5	3.2	36	•	•			
RDM6010S1			6.0~13.8	0.17	3,600	15.9	2.5	31	•	•			
RDL6010S1			6.0~13.8	0.14	3,000	12.1	1.4	27	•	•			
RDH6010B1	Ball		6.0~13.8	0.22	4,200	18.5	3.2	36	•	•			
RDM6010B1			6.0~13.8	0.17	3,600	15.9	2.5	31	•	•			
RDL6010B1			6.0~13.8	0.14	3,000	12.1	1.4	27	•	•			
RDH6010S2	Sleeve	24	12.0~27.6	0.11	4,200	18.5	3.2	36	•	•			
RDM6010S2			12.0~27.6	0.09	3,600	15.9	2.5	31	•	•			
RDL6010S2			12.0~27.6	0.07	3,000	12.1	1.4	27	•	•			
RDH6010B2	Ball		12.0~27.6	0.11	4,200	18.5	3.2	36	•	•			
RDM6010B2			12.0~27.6	0.09	3,600	15.9	2.5	31	•	•			
RDL6010B2			12.0~27.6	0.07	3,000	12.1	1.4	27	•	•			

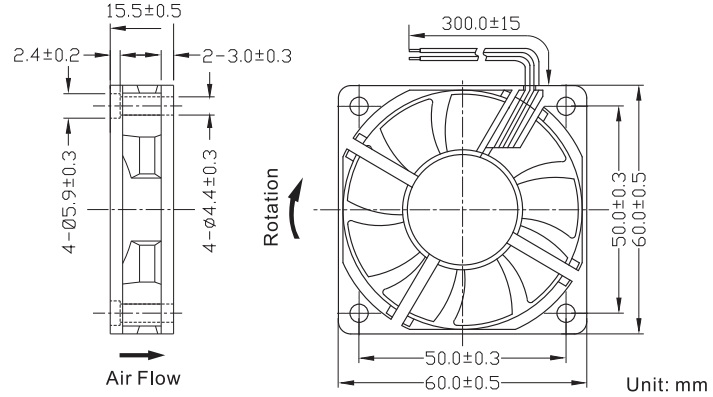
● All readings are typical values at rated voltage.  
● Specifications are subjected to change without prior notice.

**60 x 60 x 15 mm**

**D Series**



**Dimensions Drawing**



**General Specification**

Frame and Impeller : Thermal Plastic , UL 94V-0

Lead Wires : UL Type

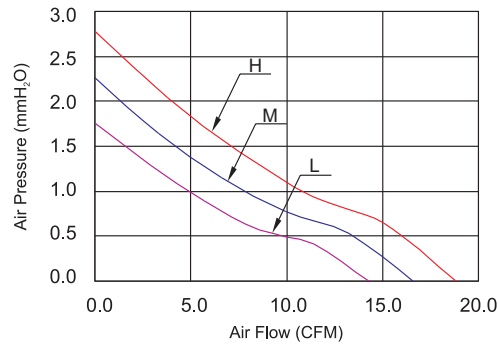
(+) : Red (-) : Black

Operation Temperature : -10°C~70°C  
35%~85%RH

Storage Temperature : -40°C~80°C  
35%~85%RH



**Performance Curves**

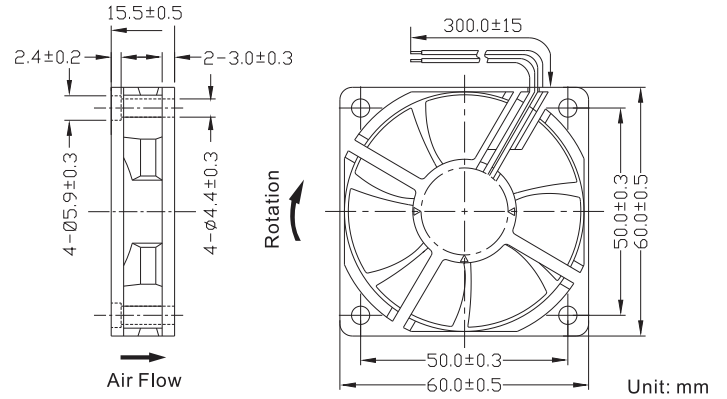


Listed Model	Bearing System	Rated Voltage	Operation Voltage	Rated Current	Rated Speed	Air Flow	Air Pressure	Noise Level	Available Features (Optional)				Weight	
		VDC	VDC	A	RPM	CFM	mmH <sub>2</sub> O	dBA	Tachometer Output	Rotation Detector	Thermal Control	Pulse Width Modulation	g	
RDH6015S5	Sleeve	5	3.5~5.75	0.40	4,500	18.8	2.8	32	•	•			34	
RDM6015S5			3.5~5.75	0.25	4,000	16.6	2.3	30	•	•				
RDL6015S5			3.5~5.75	0.15	3,500	14.3	1.8	26	•	•				
RDH6015B5			Ball	3.5~5.75	0.40	4,500	18.8	2.8	32	•	•			
RDM6015B5	3.5~5.75			0.25	4,000	16.6	2.3	30	•	•				
RDL6015B5	3.5~5.75			0.15	3,500	14.3	1.8	26	•	•				
RDH6015S1	Sleeve			12	6.0~13.8	0.17	4,500	18.8	2.8	32	•	•		•
RDM6015S1			6.0~13.8		0.15	4,000	16.6	2.3	30	•	•	•		•
RDL6015S1		6.0~13.8	0.11		3,500	14.3	1.8	26	•	•	•	•		
RDH6015B1		Ball	6.0~13.8		0.17	4,500	18.8	2.8	32	•	•	•		•
RDM6015B1	6.0~13.8		0.15		4,000	16.6	2.3	30	•	•	•	•		
RDL6015B1	6.0~13.8		0.11		3,500	14.3	1.8	26	•	•	•	•		
RDH6015S2	Sleeve		24		12.0~27.6	0.15	4,500	18.8	2.8	32	•	•		
RDM6015S2		12.0~27.6			0.10	4,000	16.6	2.3	30	•	•			
RDL6015S2		12.0~27.6		0.08	3,500	14.3	1.8	26	•	•				
RDH6015B2		Ball		12.0~27.6	0.15	4,500	18.8	2.8	32	•	•			
RDM6015B2	12.0~27.6			0.10	4,000	16.6	2.3	30	•	•				
RDL6015B2	12.0~27.6			0.08	3,500	14.3	1.8	26	•	•				

• All readings are typical values at rated voltage.  
• Specifications are subjected to change without prior notice.

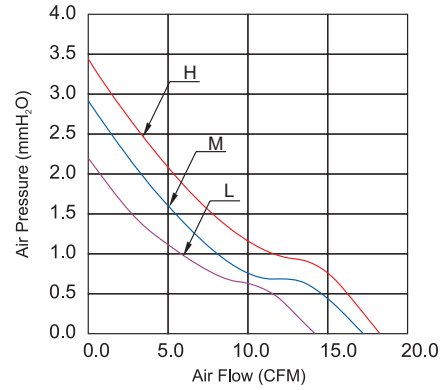


**Dimensions Drawing**



- **General Specification**
- Frame and Impeller : Thermal Plastic , UL 94V-0
- Lead Wires : UL Type  
(+) : Red (-) : Black
- Operation Temperature : -10°C~70°C  
35%~85%RH
- Storage Temperature : -40°C~80°C  
35%~85%RH
- (5V 12V)
- (24V)

**Performance Curves**

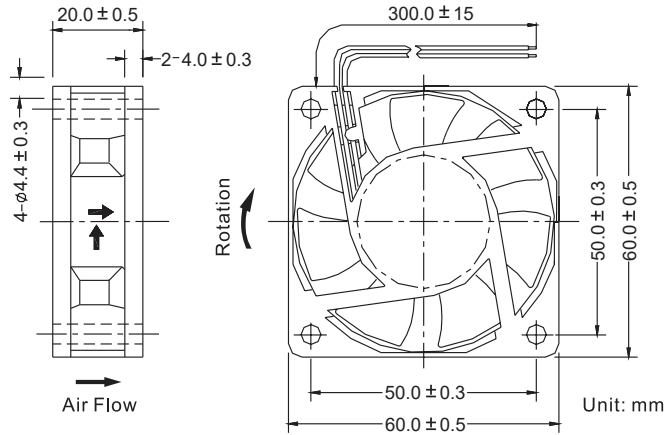


Listed Model	Bearing System	Rated Voltage	Operation Voltage	Rated Current	Rated Speed	Air Flow	Air Pressure	Noise Level	Available Features (Optional)				Weight
		VDC	VDC	A	RPM	CFM	mmH <sub>2</sub> O	dBA	Tachometer Output	Rotation Detector	Thermal Control	Pulse Width Modulation	g
RDH6015S5	Sleeve	5	3.5~5.75	0.40	4,500	18.6	3.4	35	•	•			34
RDM6015S5			3.5~5.75	0.25	4,000	16.4	2.8	32	•	•			
RDL6015S5			3.5~5.75	0.15	3,500	14.4	2.2	29	•	•			
RDH6015B5	Ball		3.5~5.75	0.40	4,500	18.6	3.4	35	•	•			
RDM6015B5			3.5~5.75	0.25	4,000	16.4	2.8	32	•	•			
RDL6015B5			3.5~5.75	0.15	3,500	14.4	2.2	29	•	•			
RDH6015S1	Sleeve	12	6.0~13.8	0.17	4,500	18.6	3.4	35	•	•	•	•	
RDM6015S1			6.0~13.8	0.15	4,000	16.4	2.8	32	•	•	•	•	
RDL6015S1			6.0~13.8	0.11	3,500	14.4	2.2	29	•	•	•	•	
RDH6015B1	Ball		6.0~13.8	0.17	4,500	18.6	3.4	35	•	•	•	•	
RDM6015B1			6.0~13.8	0.15	4,000	16.4	2.8	32	•	•	•	•	
RDL6015B1			6.0~13.8	0.11	3,500	14.4	2.2	29	•	•	•	•	
RDH6015S2	Sleeve	24	12.0~27.6	0.15	4,500	18.6	3.4	35	•	•			
RDM6015S2			12.0~27.6	0.10	4,000	16.4	2.8	32	•	•			
RDL6015S2			12.0~27.6	0.08	3,500	14.4	2.2	29	•	•			
RDH6015B2	Ball		12.0~27.6	0.15	4,500	18.6	3.4	35	•	•			
RDM6015B2			12.0~27.6	0.10	4,000	16.4	2.8	32	•	•			
RDL6015B2			12.0~27.6	0.08	3,500	14.4	2.2	29	•	•			

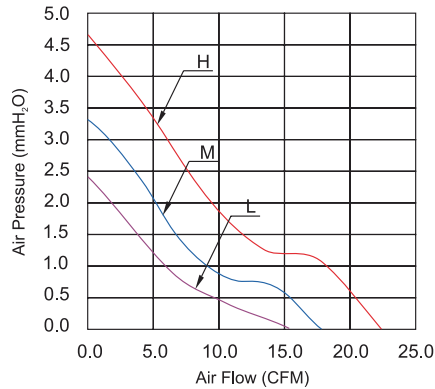
● All readings are typical values at rated voltage.  
● Specifications are subjected to change without prior notice.



**Dimensions Drawing**



**Performance Curves**



**General Specification**

Frame and Impeller : Thermal Plastic , UL 94V-0

Lead Wires : UL Type

(+) : Red (-) : Black

Operation Temperature : -10°C~70°C  
35%~85%RH

Storage Temperature : -40°C~80°C  
35%~85%RH

(12V)

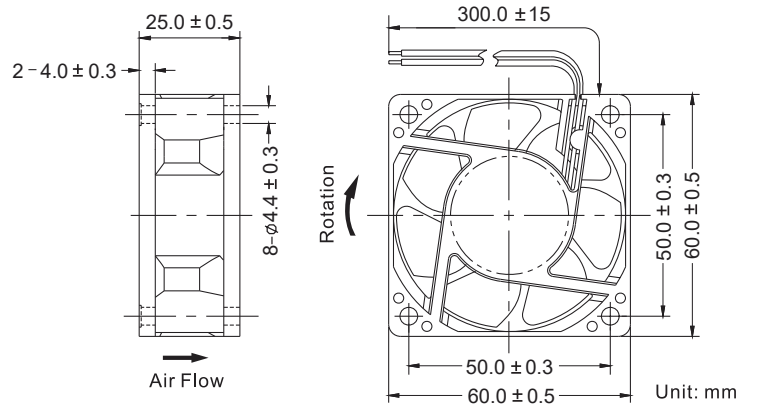
(24V)

Listed Model	Bearing System	Rated Voltage	Operation Voltage	Rated Current	Rated Speed	Air Flow	Air Pressure	Noise Level	Available Features (Optional)				Weight
		VDC	VDC	A	RPM	CFM	mmH <sub>2</sub> O	dBA	Tachometer Output	Rotation Detector	Thermal Control	Pulse Width Modulation	g
RDH6020S	Sleeve	12	6.0~13.8	0.16	4,200	22.3	4.7	35	•	•	•	•	50
RDM6020S			6.0~13.8	0.12	3,500	18.5	3.3	29	•	•	•	•	
RDL6020S			6.0~13.8	0.08	3,000	15.7	2.4	26	•	•	•	•	
RDH6020B	Ball		6.0~13.8	0.16	4,200	22.3	4.7	35	•	•	•	•	
RDM6020B			6.0~13.8	0.12	3,500	18.5	3.3	29	•	•	•	•	
RDL6020B			6.0~13.8	0.08	3,000	15.7	2.4	26	•	•	•	•	
RDH6020S2	Sleeve	24	12.0~27.6	0.13	4,200	22.3	4.7	35	•	•			
RDM6020S2			12.0~27.6	0.10	3,500	18.5	3.3	29	•	•			
RDL6020S2			12.0~27.6	0.08	3,000	15.7	2.4	26	•	•			
RDH6020B2	Ball		12.0~27.6	0.13	4,200	22.3	4.7	35	•	•			
RDM6020B2			12.0~27.6	0.10	3,500	18.5	3.3	29	•	•			
RDL6020B2			12.0~27.6	0.08	3,000	15.7	2.4	26	•	•			

• All readings are typical values at rated voltage.  
• Specifications are subjected to change without prior notice.



**Dimensions Drawing**



**General Specification**

Frame and Impeller : Thermal Plastic , UL 94V-0

Lead Wires : UL Type

(+) : Red (-) : Black

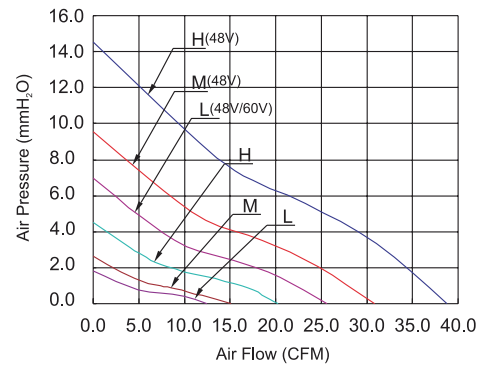
Operation Temperature : -10°C~70°C  
35%~85%RH

Storage Temperature : -40°C~80°C  
35%~85%RH

(12V 24V 48V)

(60V)

**Performance Curves**



Listed Model	Bearing System	Rated Voltage	Operation Voltage	Rated Current	Rated Speed	Air Flow	Air Pressure	Noise Level	Available Features (Optional)				Weight
		VDC	VDC	A	RPM	CFM	mmH <sub>2</sub> O	dBA	Tachometer Output	Rotation Detector	Thermal Control	Pulse Width Modulation	g
RDH6025S	Sleeve	12	6.0~13.8	0.14	4,000	20.3	4.5	29	•	•	•	•	62
RDM6025S			6.0~13.8	0.10	3,000	15.1	2.6	24	•	•	•	•	
RDL6025S			6.0~13.8	0.07	2,500	12.5	1.8	22	•	•	•	•	
RDH6025B	Ball		6.0~13.8	0.14	4,000	20.3	4.5	29	•	•	•	•	
RDM6025B			6.0~13.8	0.10	3,000	15.1	2.6	24	•	•	•	•	
RDL6025B			6.0~13.8	0.07	2,500	12.5	1.8	22	•	•	•	•	
RDH6025S2	Sleeve	24	12.0~27.6	0.14	4,000	20.3	4.5	29	•	•	•	•	
RDM6025S2			12.0~27.6	0.10	3,000	15.1	2.6	24	•	•	•	•	
RDL6025S2			12.0~27.6	0.09	2,500	12.5	1.8	22	•	•	•	•	
RDH6025B2	Ball		12.0~27.6	0.14	4,000	20.3	4.5	29	•	•	•	•	
RDM6025B2			12.0~27.6	0.10	3,000	15.1	2.6	24	•	•	•	•	
RDL6025B2			12.0~27.6	0.09	2,500	12.5	1.8	22	•	•	•	•	
RDH6025S4	Sleeve	48	24.0~55.2	0.18	7,500	38.8	14.5	47	•	•	•	•	
RDM6025S4			24.0~55.2	0.12	6,000	30.9	9.6	40	•	•	•	•	
RDL6025S4			24.0~55.2	0.10	5,000	25.6	7.0	37	•	•	•	•	
RDH6025B4	Ball		24.0~55.2	0.18	7,500	38.8	14.5	47	•	•	•	•	
RDM6025B4			24.0~55.2	0.12	6,000	30.9	9.6	40	•	•	•	•	
RDL6025B4			24.0~55.2	0.10	5,000	25.6	7.0	37	•	•	•	•	
RDL6025B6	Ball	60	36.0~72.0	0.20	5,000	25.6	7.0	37	•	•	•	•	

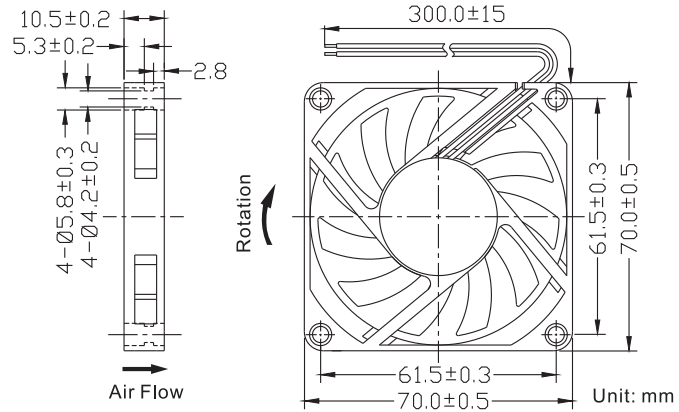
• All readings are typical values at rated voltage.  
• Specifications are subjected to change without prior notice.

**70 x 70 x 10 mm**

**D Series**



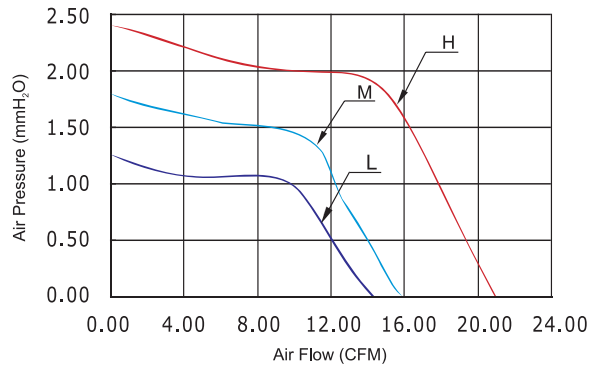
**Dimensions Drawing**



**General Specification**

- Frame and Impeller : Thermal Plastic , UL 94V-0
- Lead Wires : UL Type  
(+) : Red (-) : Black
- Operation Temperature : -10°C~70°C  
5%~90%RH
- Storage Temperature : -40°C~75°C  
5%~95%RH
- (12V 24V)

**Performance Curves**



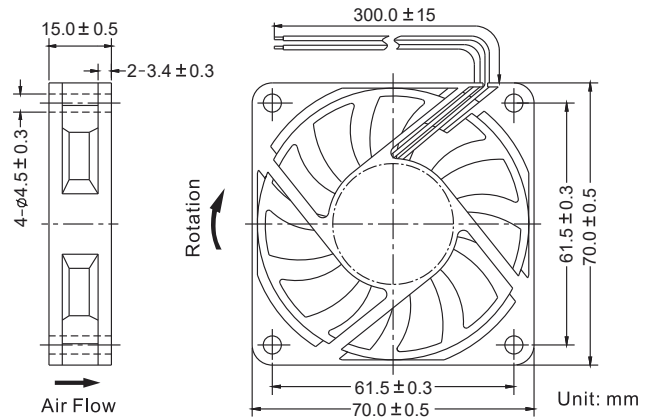
Listed Model	Bearing System	Rated Voltage	Operation Voltage	Rated Current	Rated Speed	Air Flow	Air Pressure	Noise Level	Available Features (Optional)				Weight
		VDC	VDC	A	RPM	CFM	mmH <sub>2</sub> O	dBA	Tachometer Output	Rotation Detector	Thermal Control	Pulse Width Modulation	g
DFS701012H	Sleeve	12	10.8~13.2	0.21	3,500	21.0	2.4	34	•	•		•	35
DFS701012M			10.8~13.2	0.14	3,000	16.0	1.8	30	•	•		•	
DFS701012L			10.8~13.2	0.10	2,500	15.0	1.3	25	•	•		•	
DFB701012H	Ball		10.8~13.2	0.21	3,500	21.0	2.4	34	•	•		•	
DFB701012M			10.8~13.2	0.14	3,000	16.0	1.8	30	•	•		•	
DFB701012L			10.8~13.2	0.10	2,500	15.0	1.3	25	•	•		•	
DFS701024H	Sleeve	24	17.0~28.0	0.13	3,500	21.0	2.4	34	•	•		•	
DFS701024M			17.0~28.0	0.11	3,000	16.0	1.8	30	•	•		•	
DFS701024L			17.0~28.0	0.08	2,500	15.0	1.3	25	•	•		•	
DFB701024H	Ball		17.0~28.0	0.13	3,500	21.0	2.4	34	•	•		•	
DFB701024M			17.0~28.0	0.11	3,000	16.0	1.8	30	•	•		•	
DFB701024L			17.0~28.0	0.08	2,500	15.0	1.3	25	•	•		•	

● All readings are typical values at rated voltage.  
● Specifications are subjected to change without prior notice.





**Dimensions Drawing**

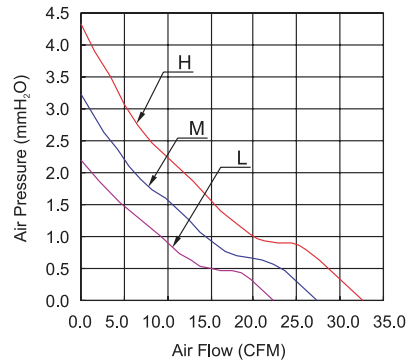


**General Specification**

- Frame and Impeller : Thermal Plastic , UL 94V-0
- Lead Wires : UL Type
- (+) : Red (-) : Black
- Operation Temperature : -10°C~70°C  
35%~85%RH
- Storage Temperature : -40°C~80°C  
35%~85%RH



**Performance Curves**

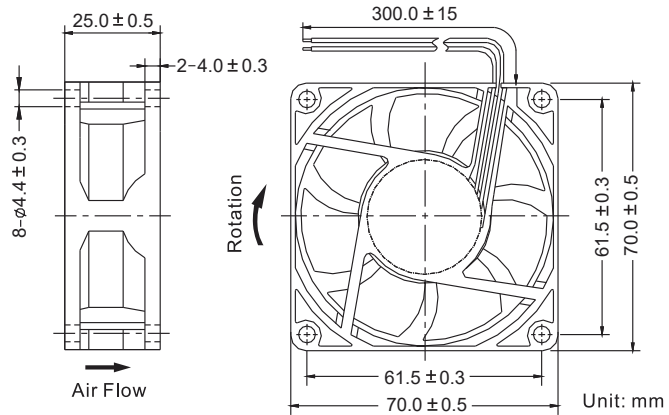


Listed Model	Bearing System	Rated Voltage	Operation Voltage	Rated Current	Rated Speed	Air Flow	Air Pressure	Noise Level	Available Features (Optional)				Weight g
		VDC	VDC	A	RPM	CFM	mmH <sub>2</sub> O	dBA	Tachometer Output	Rotation Detector	Thermal Control	Pulse Width Modulation	
RDH7015S1	Sleeve	12	6.0~13.8	0.35	4,200	32.5	4.3	40	•	•		•	48
RDM7015S1			6.0~13.8	0.25	3,600	27.2	3.2	35	•	•		•	
RDL7015S1			6.0~13.8	0.16	3,000	22.2	2.2	31	•	•		•	
RDH7015B1	Ball		6.0~13.8	0.35	4,200	32.5	4.3	40	•	•		•	
RDM7015B1			6.0~13.8	0.25	3,600	27.2	3.2	35	•	•		•	
RDL7015B1			6.0~13.8	0.16	3,000	22.2	2.2	31	•	•		•	
RDH7015S2	Sleeve	24	12.0~27.6	0.25	4,200	32.5	4.3	40	•	•		•	48
RDM7015S2			12.0~27.6	0.16	3,600	27.2	3.2	35	•	•		•	
RDL7015S2			12.0~27.6	0.12	3,000	22.2	2.2	31	•	•		•	
RDH7015B2	Ball		12.0~27.6	0.25	4,200	32.5	4.3	40	•	•		•	
RDM7015B2			12.0~27.6	0.16	3,600	27.2	3.2	35	•	•		•	
RDL7015B2			12.0~27.6	0.12	3,000	22.2	2.2	31	•	•		•	

● All readings are typical values at rated voltage.  
● Specifications are subjected to change without prior notice.



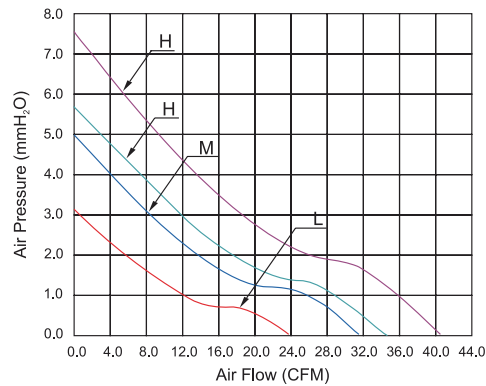
**Dimensions Drawing**



**General Specification**

- Frame and Impeller : Thermal Plastic , UL 94V-0
- Lead Wires : UL Type  
(+) : Red (-) : Black
- Operation Temperature : -10°C~70°C  
35%~85%RH
- Storage Temperature : -40°C~80°C  
35%~85%RH
- 

**Performance Curves**

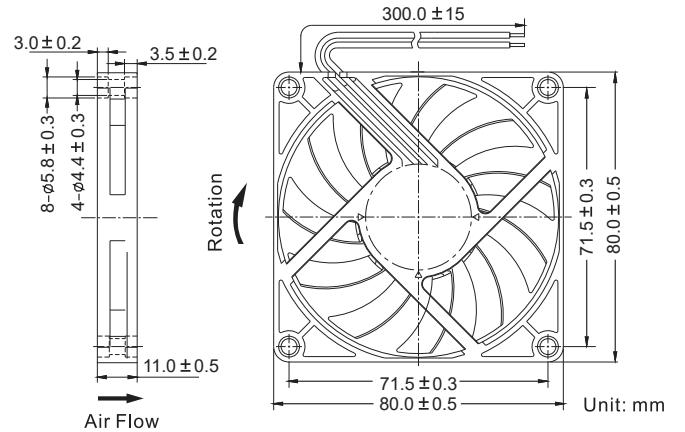


Listed Model	Bearing System	Rated Voltage	Operation Voltage	Rated Current	Rated Speed	Air Flow	Air Pressure	Noise Level	Available Features (Optional)				Weight	
		VDC	VDC	A	RPM	CFM	mmH <sub>2</sub> O	dBA	Tachometer Output	Rotation Detector	Thermal Control	Pulse Width Modulation	g	
RDH7025S5	Sleeve	5	3.5~5.75	0.70	4,500	34.6	5.7	39	•	•			65	
RDM7025S5			3.5~5.75	0.55	4,000	31.5	4.9	36	•	•				
RDL7025S5			3.5~5.75	0.30	3,000	23.7	3.1	28	•	•				
RDH7025B5			Ball	3.5~5.75	0.70	4,500	34.6	5.7	39	•	•			
RDM7025B5				3.5~5.75	0.55	4,000	31.5	4.9	36	•	•			
RDL7025B5				3.5~5.75	0.30	3,000	23.7	3.1	28	•	•			
RDH7025S	Sleeve	12	6.0~13.8	0.40	5,100	40.6	7.5	42	•	•		•		
RDM7025S			6.0~13.8	0.20	4,000	31.5	4.9	36	•	•		•		
RDL7025S			6.0~13.8	0.15	3,000	23.7	3.1	28	•	•		•		
RDH7025B			Ball	6.0~13.8	0.40	5,100	40.6	7.5	42	•	•		•	
RDM7025B				6.0~13.8	0.20	4,000	31.5	4.9	36	•	•		•	
RDL7025B				6.0~13.8	0.15	3,000	23.7	3.1	28	•	•		•	
RDH7025S2	Sleeve	24	12.0~27.6	0.22	5,100	40.6	7.5	42	•	•				
RDM7025S2			12.0~27.6	0.12	4,000	31.5	4.9	36	•	•				
RDL7025S2			12.0~27.6	0.10	3,000	23.7	3.1	28	•	•				
RDH7025B2			Ball	12.0~27.6	0.20	5,100	40.6	7.5	42	•	•			
RDM7025B2				12.0~27.6	0.12	4,000	31.5	4.9	36	•	•			
RDL7025B2				12.0~27.6	0.10	3,000	23.7	3.1	28	•	•			

● All readings are typical values at rated voltage.  
● Specifications are subjected to change without prior notice.

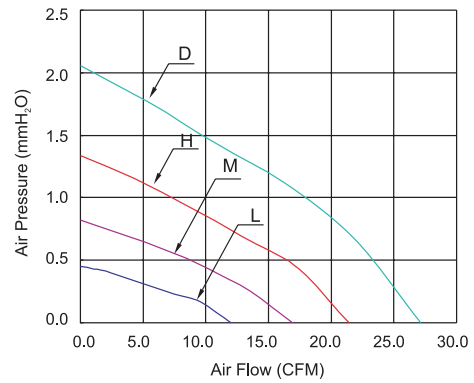


**Dimensions Drawing**



- **General Specification**
- Frame and Impeller : Thermal Plastic , UL 94V-0
- Lead Wires : UL Type  
(+) : Red (-) : Black
- Operation Temperature : -10°C~70°C  
35%~85%RH
- Storage Temperature : -40°C~80°C  
35%~85%RH
- 

**Performance Curves**

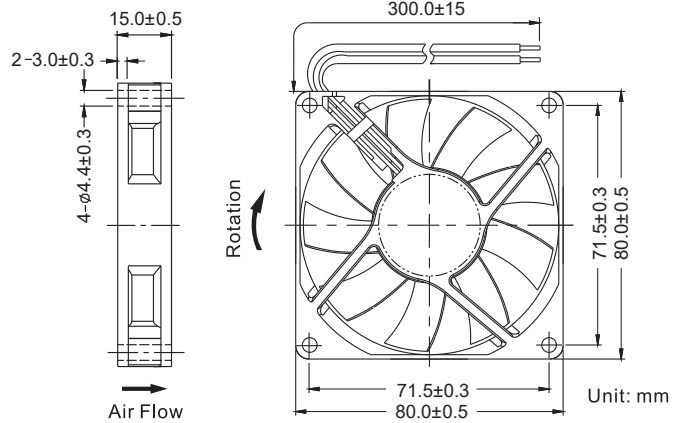


Listed Model	Bearing System	Rated Voltage	Operation Voltage	Rated Current	Rated Speed	Air Flow	Air Pressure	Noise Level	Available Features (Optional)				Weight g
		VDC	VDC	A	RPM	CFM	mmH <sub>2</sub> O	dBA	Tachometer Output	Rotation Detector	Thermal Control	Pulse Width Modulation	
RDD8010S5	Sleeve	5	3.5~5.75	0.35	3,000	27.1	2.0	33	•	•		•	38.5
RDH8010S5			3.5~5.75	0.23	2,500	21.4	1.3	28	•	•		•	
RDM8010S5			3.5~5.75	0.15	2,000	16.9	0.8	23	•	•		•	
RDL8010S5			3.5~5.75	0.10	1,500	12.0	0.4	20	•	•		•	
RDD8010B5	Ball		3.5~5.75	0.35	3,000	27.1	2.0	33	•	•		•	
RDH8010B5			3.5~5.75	0.23	2,500	21.4	1.3	28	•	•		•	
RDM8010B5			3.5~5.75	0.15	2,000	16.9	0.8	23	•	•		•	
RDL8010B5			3.5~5.75	0.10	1,500	12.0	0.4	20	•	•		•	
RDD8010S1	Sleeve	12	6.0~13.8	0.22	3,000	27.1	2.0	33	•	•		•	
RDH8010S1			6.0~13.8	0.16	2,500	21.4	1.3	28	•	•		•	
RDM8010S1			6.0~13.8	0.12	2,000	16.9	0.8	23	•	•		•	
RDL8010S1			6.0~13.8	0.08	1,500	12.0	0.4	20	•	•		•	
RDD8010B1	Ball		6.0~13.8	0.22	3,000	27.1	2.0	33	•	•		•	
RDH8010B1			6.0~13.8	0.16	2,500	21.4	1.3	28	•	•		•	
RDM8010B1			6.0~13.8	0.12	2,000	16.9	0.8	23	•	•		•	
RDL8010B1			6.0~13.8	0.08	1,500	12.0	0.4	20	•	•		•	

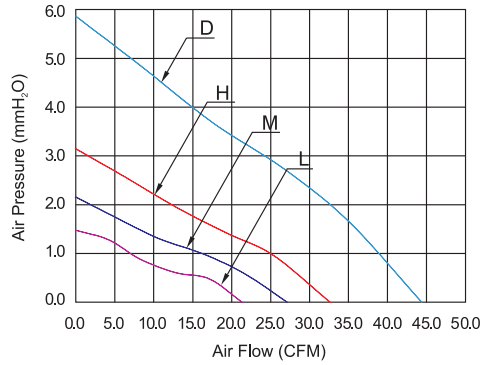
● All readings are typical values at rated voltage.  
● Specifications are subjected to change without prior notice.



**Dimensions Drawing**



**Performance Curves**



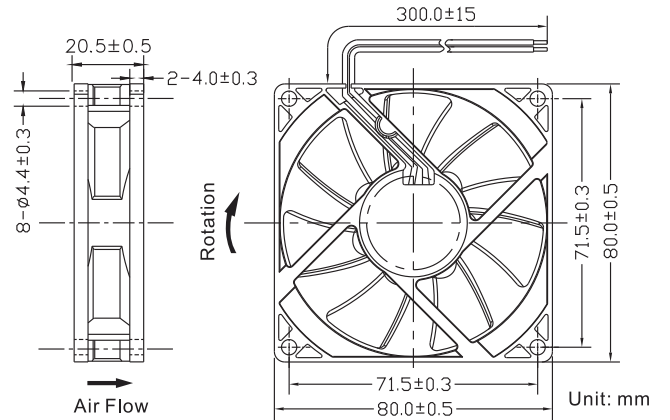
- **General Specification**
- Frame and Impeller : Thermal Plastic , UL 94V-0
- Lead Wires : UL Type  
(+) : Red (-) : Black
- Operation Temperature : -10°C~70°C  
35%~85%RH
- Storage Temperature : -40°C~80°C  
35%~85%RH
- (12V)  
 (24V)

Listed Model	Bearing System	Rated Voltage	Operation Voltage	Rated Current	Rated Speed	Air Flow	Air Pressure	Noise Level	Available Features (Optional)				Weight
		VDC	VDC	A	RPM	CFM	mmH <sub>2</sub> O	dBA	Tachometer Output	Rotation Detector	Thermal Control	Pulse Width Modulation	g
RDD8015S1	Sleeve	12	6.0~13.8	0.27	4,100	44.4	5.8	44	•	•		•	54
RDH8015S1			6.0~13.8	0.17	3,000	32.7	3.2	35	•	•		•	
RDM8015S1			6.0~13.8	0.14	2,500	27.2	2.2	30	•	•		•	
RDL8015S1			6.0~13.8	0.09	2,000	21.4	1.5	25	•	•		•	
RDD8015B1	Ball		6.0~13.8	0.27	4,100	44.4	5.8	44	•	•		•	
RDH8015B1			6.0~13.8	0.17	3,000	32.7	3.2	35	•	•		•	
RDM8015B1			6.0~13.8	0.14	2,500	27.2	2.2	30	•	•		•	
RDL8015B1			6.0~13.8	0.09	2,000	21.4	1.5	25	•	•		•	
RDH8015S2	Sleeve	24	12.0~27.6	0.15	3,000	32.7	3.2	35	•	•		•	
RDM8015S2			12.0~27.6	0.13	2,500	27.2	2.2	30	•	•		•	
RDL8015S2	12.0~27.6		0.10	2,000	21.4	1.5	25	•	•		•		
RDH8015B2	Ball		12.0~27.6	0.15	3,000	32.7	3.2	35	•	•		•	
RDM8015B2			12.0~27.6	0.13	2,500	27.2	2.2	30	•	•		•	
RDL8015B2			12.0~27.6	0.10	2,000	21.4	1.5	25	•	•		•	

● All readings are typical values at rated voltage.  
● Specifications are subjected to change without prior notice.

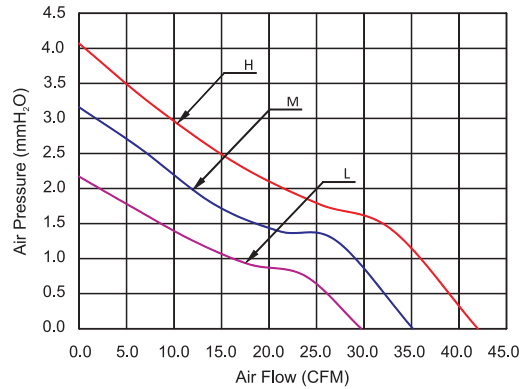


**Dimensions Drawing**



- **General Specification**
- Frame and Impeller : Thermal Plastic , UL 94V-0
- Lead Wires : UL Type  
(+) : Red (-) : Black
- Operation Temperature : -10°C~70°C  
35%~85%RH
- Storage Temperature : -40°C~80°C  
35%~85%RH
- 

**Performance Curves**

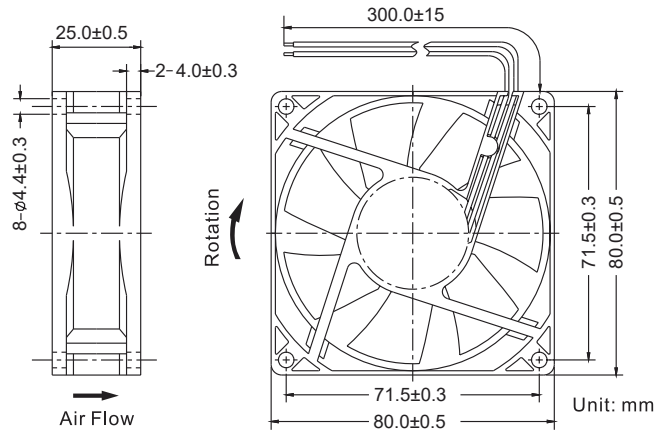


Listed Model	Bearing System	Rated Voltage	Operation Voltage	Rated Current	Rated Speed	Air Flow	Air Pressure	Noise Level	Available Features (Optional)				Weight g
		VDC	VDC	A	RPM	CFM	mmH <sub>2</sub> O	dBA	Tachometer Output	Rotation Detector	Thermal Control	Pulse Width Modulation	
RDH8020S	Sleeve	12	6.0~13.8	0.23	3,500	42.0	4.1	37	•	•		•	64
RDM8020S			6.0~13.8	0.17	3,000	35.1	3.2	33	•	•		•	
RDL8020S			6.0~13.8	0.13	2,500	29.7	2.2	29	•	•		•	
RDH8020B	Ball		6.0~13.8	0.23	3,500	42.0	4.1	37	•	•		•	
RDM8020B			6.0~13.8	0.17	3,000	35.1	3.2	33	•	•		•	
RDL8020B			6.0~13.8	0.13	2,500	29.7	2.2	29	•	•		•	
RDH8020S2	Sleeve	24	12.0~27.6	0.21	3,500	42.0	4.1	37	•	•			64
RDM8020S2			12.0~27.6	0.14	3,000	35.1	3.2	33	•	•			
RDL8020S2			12.0~27.6	0.12	2,500	29.7	2.2	29	•	•			
RDH8020B2	Ball		12.0~27.6	0.21	3,500	42.0	4.1	37	•	•			
RDM8020B2			12.0~27.6	0.14	3,000	35.1	3.2	33	•	•			
RDL8020B2			12.0~27.6	0.12	2,500	29.7	2.2	29	•	•			

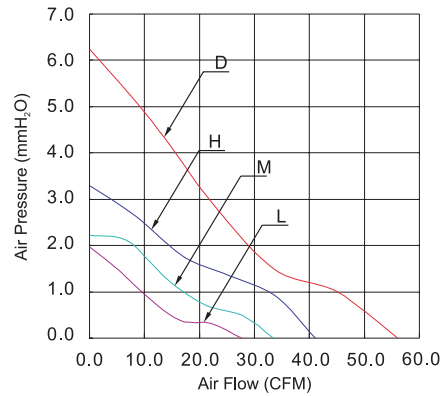
● All readings are typical values at rated voltage.  
● Specifications are subjected to change without prior notice.



**Dimensions Drawing**



**Performance Curves**



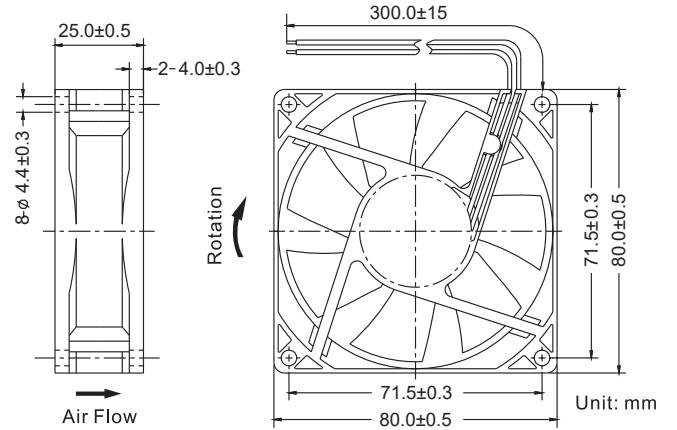
- **General Specification**
- Frame and Impeller : Thermal Plastic , UL 94V-0
- Lead Wires : UL Type  
(+) : Red (-) : Black
- Operation Temperature : -10°C~70°C  
35%~85%RH
- Storage Temperature : -40°C~80°C  
35%~85%RH
- 

Listed Model	Bearing System	Rated Voltage	Operation Voltage	Rated Current	Rated Speed	Air Flow	Air Pressure	Noise Level	Available Features (Optional)				Weight
		VDC	VDC	A	RPM	CFM	mmH <sub>2</sub> O	dBA	Tachometer Output	Rotation Detector	Thermal Control	Pulse Width Modulation	g
RDD8025S1	Sleeve	12	6.0~13.8	0.40	4,000	56.0	6.2	43	•	•		•	76
RDH8025S1			6.0~13.8	0.23	3,000	41.0	3.3	33	•	•		•	
RDM8025S1			6.0~13.8	0.16	2,500	33.4	2.2	28	•	•		•	
RDL8025S1			6.0~13.8	0.13	2,000	27.7	1.9	23	•	•		•	
RDD8025B1	Ball		6.0~13.8	0.40	4,000	56.0	6.2	43	•	•		•	
RDH8025B1			6.0~13.8	0.23	3,000	41.0	3.3	33	•	•		•	
RDM8025B1			6.0~13.8	0.16	2,500	33.4	2.2	28	•	•		•	
RDL8025B1			6.0~13.8	0.13	2,000	27.7	1.9	23	•	•		•	
RDH8025S2	Sleeve	24	12.0~27.6	0.15	3,000	41.0	3.3	33	•	•			
RDM8025S2			12.0~27.6	0.12	2,500	33.4	2.2	28	•	•			
RDL8025S2			12.0~27.6	0.09	2,000	27.7	1.9	23	•	•			
RDH8025B2	Ball		12.0~27.6	0.15	3,000	41.0	3.3	33	•	•			
RDM8025B2			12.0~27.6	0.12	2,500	33.4	2.2	28	•	•			
RDL8025B2			12.0~27.6	0.09	2,000	27.7	1.9	23	•	•			

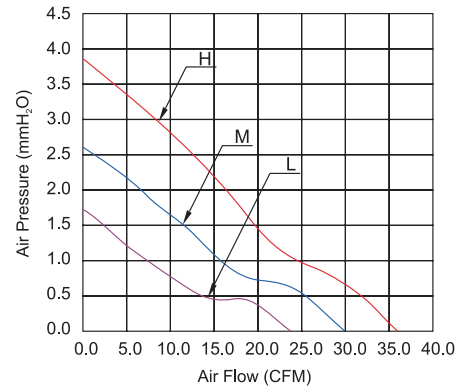
● All readings are typical values at rated voltage.  
● Specifications are subjected to change without prior notice.



**Dimensions Drawing**



**Performance Curves**



- **General Specification**
- Frame and Impeller : Thermal Plastic , UL 94V-0
- Lead Wires : UL Type  
(+) : Red (-) : Black
- Operation Temperature : -10°C~70°C  
35%~85%RH
- Storage Temperature : -40°C~80°C  
35%~85%RH
- 

Listed Model	Bearing System	Rated Voltage	Operation Voltage	Rated Current	Rated Speed	Air Flow	Air Pressure	Noise Level	Available Features (Optional)				Weight
		VDC	VDC	A	RPM	CFM	mmH <sub>2</sub> O	dBA	Tachometer Output	Rotation Detector	Thermal Control	Pulse Width Modulation	g
RDH8025S5	Sleeve	5	3.5~5.75	0.40	3,000	35.7	3.8	33	•	•			76
RDM8025S5			3.5~5.75	0.28	2,500	29.5	2.6	29	•	•			
RDL8025S5			3.5~5.75	0.22	2,000	23.5	1.7	24	•	•			
RDH8025B5	Ball		3.5~5.75	0.40	3,000	35.7	3.8	33	•	•			
RDM8025B5			3.5~5.75	0.28	2,500	29.5	2.6	29	•	•			
RDL8025B5			3.5~5.75	0.22	2,000	23.5	1.7	24	•	•			
RDH8025S	Sleeve	12	6.0~13.8	0.17	3,000	35.7	3.8	33	•	•	•	•	
RDM8025S			6.0~13.8	0.11	2,500	29.5	2.6	29	•	•	•	•	
RDL8025S			6.0~13.8	0.08	2,000	23.5	1.7	24	•	•	•	•	
RDH8025B	Ball		6.0~13.8	0.17	3,000	35.7	3.8	33	•	•	•	•	
RDM8025B			6.0~13.8	0.11	2,500	29.5	2.6	29	•	•	•	•	
RDL8025B			6.0~13.8	0.08	2,000	23.5	1.7	24	•	•	•	•	
RDH8025S2	Sleeve	24	12.0~27.6	0.15	3,000	35.7	3.8	33	•	•			
RDM8025S2			12.0~27.6	0.12	2,500	29.5	2.6	29	•	•			
RDL8025S2			12.0~27.6	0.09	2,000	23.5	1.7	24	•	•			
RDH8025B2	Ball		12.0~27.6	0.15	3,000	35.7	3.8	33	•	•			
RDM8025B2			12.0~27.6	0.12	2,500	29.5	2.6	29	•	•			
RDL8025B2			12.0~27.6	0.09	2,000	23.5	1.7	24	•	•			

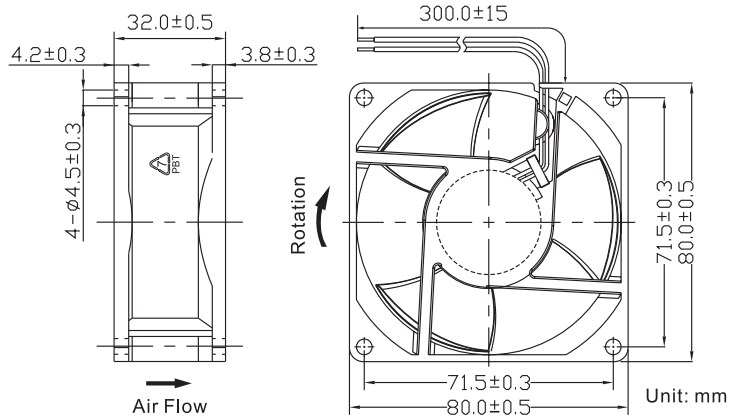
● All readings are typical values at rated voltage.  
● Specifications are subjected to change without prior notice.

**80 x 80 x 32 mm**

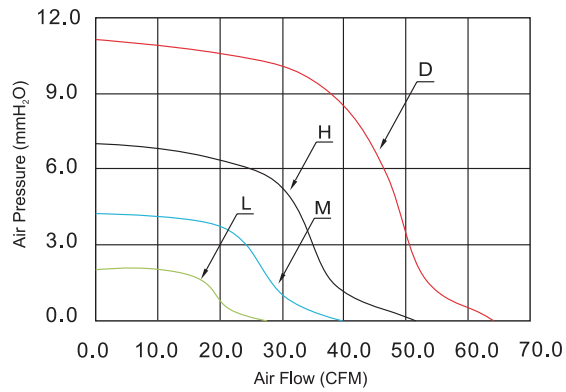
**D Series**



**Dimensions Drawing**



**Performance Curves**



- **General Specification**
- Frame and Impeller : Thermal Plastic , UL 94V-0
- Lead Wires : UL Type  
(+) : Red (-) : Black
- Operation Temperature : -10°C~70°C  
5%~90%RH
- Storage Temperature : -40°C~75°C  
5%~95%RH
- (12V)

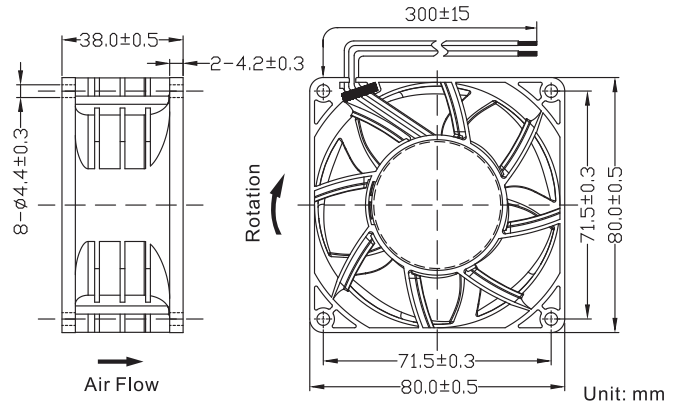
Listed Model	Bearing System	Rated Voltage	Operation Voltage	Rated Current	Rated Speed	Air Flow	Air Pressure	Noise Level	Available Features (Optional)				Weight
		VDC	VDC	A	RPM	CFM	mmH <sub>2</sub> O	dBA	Tachometer Output	Rotation Detector	Thermal Control	Pulse Width Modulation	g
DFS803212D	Sleeve	12	10.8~13.2	0.60	5,300	64.1	11.1	49	•	•	•	•	110
DFS803212H			10.8~13.2	0.40	4,400	51.6	7.2	41	•	•	•	•	
DFS803212M			10.8~13.2	0.20	3,400	39.6	4.3	36	•	•	•	•	
DFS803212L			10.8~13.2	0.15	2,400	27.4	2.1	25	•	•	•	•	
DFB803212D	Ball		4.0~6.0	0.60	5,300	64.1	11.1	49	•	•	•	•	
DFB803212H			4.0~6.0	0.40	4,400	51.6	7.2	41	•	•	•	•	
DFB803212M			4.0~6.0	0.20	3,400	39.6	4.3	36	•	•	•	•	
DFB803212L			4.0~6.0	0.15	2,400	27.4	2.1	25	•	•	•	•	

● All readings are typical values at rated voltage.  
● Specifications are subjected to change without prior notice.





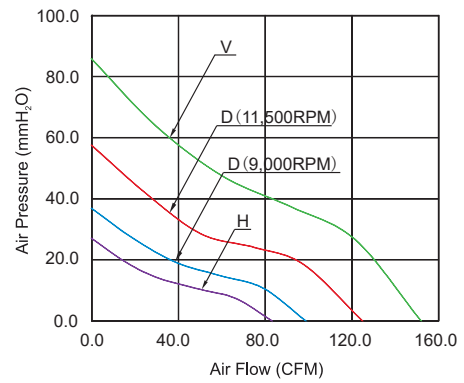
**Dimensions Drawing**



**General Specification**

- Frame and Impeller : Thermal Plastic , UL 94V-0
- Lead Wires : UL Type  
(+) : Red (-) : Black
- Operation Temperature : -10°C~70°C  
35%~85%RH
- Storage Temperature : -40°C~80°C  
35%~85%RH
- ( 7,500RPM 、 9,000RPM )

**Performance Curves**



Listed Model	Bearing System	Rated Voltage	Operation Voltage	Rated Current	Rated Speed	Air Flow	Air Pressure	Noise Level	Available Features (Optional)				Weight g
		VDC	VDC	A	RPM	CFM	mmH <sub>2</sub> O	dBA	Tachometer Output	Rotation Detector	Thermal Control	Pulse Width Modulation	
RGH8038B1	Ball	12	8.0~13.8	1.55	7,500	83.3	27.0	58	•	•	•	•	160
RGD8038B1			8.0~13.8	2.80	9,000	98.7	36.8	60	•	•	•	•	
RGD8038B1			8.0~13.8	2.80	11,500	124.9	57.5	66	•	•	•	•	
RGV8038B1			8.0~13.8	4.50	14,000	152.0	85.8	72	•	•	•	•	
RGH8038B2	Ball	24	12.0~27.6	0.78	7,500	83.3	27.0	58	•	•	•	•	
RGD8038B2			12.0~27.6	1.40	9,000	98.7	36.8	60	•	•	•	•	
RGD8038B2			12.0~27.6	1.40	11,500	124.9	57.5	66	•	•	•	•	
RGV8038B2			12.0~27.6	2.30	14,000	152.0	85.8	72	•	•	•	•	
RGH8038B4	Ball	48	24.0~55.2	0.45	7,500	83.3	27.0	58	•	•	•	•	
RGD8038B4			24.0~55.2	0.75	9,000	98.7	36.8	60	•	•	•	•	
RGD8038B4			24.0~55.2	0.75	11,500	124.9	57.5	66	•	•	•	•	
RGV8038B4			24.0~55.2	1.20	14,000	152.0	85.8	72	•	•	•	•	

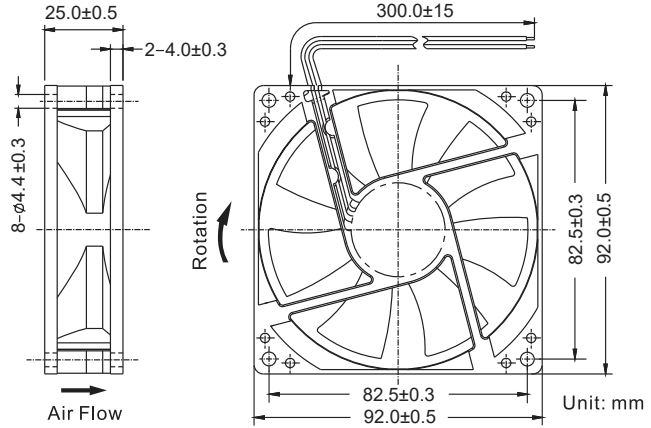
● All readings are typical values at rated voltage.  
● Specifications are subjected to change without prior notice.

**92 x 92 x 25 mm**

**D Series**



**Dimensions Drawing**

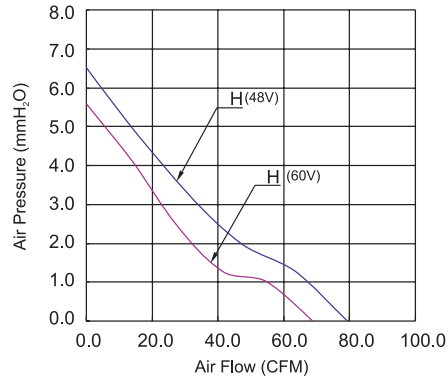


**General Specification**

- Frame and Impeller : Thermal Plastic , UL 94V-0
- Lead Wires : UL Type
- (+) : Red (-) : Black
- Operation Temperature : -10°C~70°C  
35%~85%RH
- Storage Temperature : -40°C~80°C  
35%~85%RH

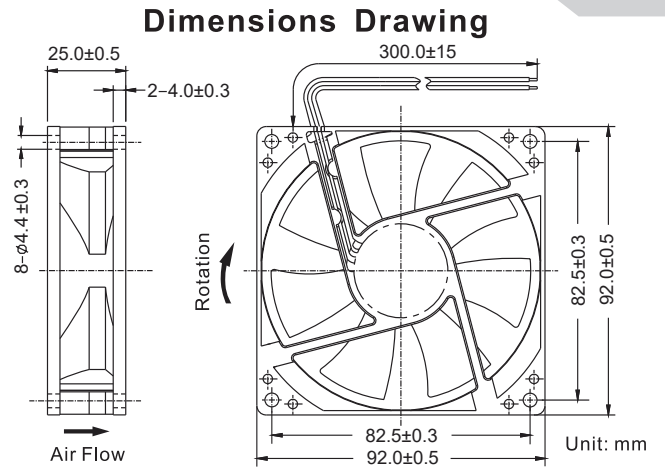


**Performance Curves**

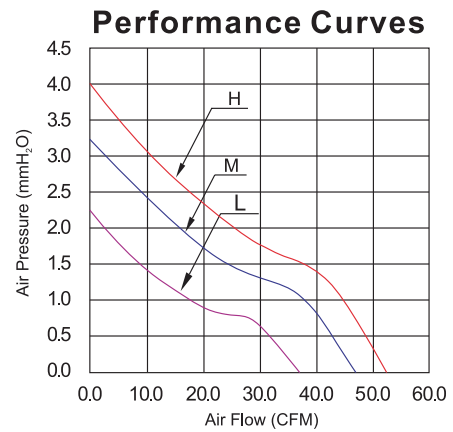


Listed Model	Bearing System	Rated Voltage	Operation Voltage	Rated Current	Rated Speed	Air Flow	Air Pressure	Noise Level	Available Features (Optional)				Weight
		VDC	VDC	A	RPM	CFM	mmH <sub>2</sub> O	dBA	Tachometer Output	Rotation Detector	Thermal Control	Pulse Width Modulation	g
RDH9025S4	Sleeve	48	24.0~55.2	0.15	3,800	79.4	6.5	44	•	•		•	85
RDH9025B4	Ball		24.0~55.2	0.15	3,800	79.4	6.5	44	•	•		•	
RDH9025B6	Ball	60	36.0~72.0	0.20	3,200	68.7	5.6	39	•	•	•	•	

● All readings are typical values at rated voltage.  
● Specifications are subjected to change without prior notice.



- **General Specification**
- Frame and Impeller : Thermal Plastic , UL 94V-0
- Lead Wires : UL Type  
(+) : Red (-) : Black
- Operation Temperature : -10°C~70°C  
35%~85%RH
- Storage Temperature : -40°C~80°C  
35%~85%RH
- 



Listed Model	Bearing System	Rated Voltage	Operation Voltage	Rated Current	Rated Speed	Air Flow	Air Pressure	Noise Level	Available Features (Optional)				Weight g
		VDC	VDC	A	RPM	CFM	mmH <sub>2</sub> O	dBA	Tachometer Output	Rotation Detector	Thermal Control	Pulse Width Modulation	
RDH9025S	Sleeve	12	6.0~13.8	0.23	2,800	52.3	4.0	37	•	•	•	•	85
RDM9025S			6.0~13.8	0.19	2,500	47.0	3.2	34	•	•	•	•	
RDL9025S			6.0~13.8	0.16	2,000	37.1	2.3	29	•	•	•	•	
RDH9025B	Ball		6.0~13.8	0.23	2,800	52.3	4.0	37	•	•	•	•	
RDM9025B			6.0~13.8	0.19	2,500	47.0	3.2	34	•	•	•	•	
RDL9025B			6.0~13.8	0.16	2,000	37.1	2.3	29	•	•	•	•	
RDH9025S2	Sleeve	24	12.0~27.6	0.22	2,800	52.3	4.0	37	•	•	•	•	
RDM9025S2			12.0~27.6	0.18	2,500	47.0	3.2	34	•	•	•	•	
RDL9025S2			12.0~27.6	0.15	2,000	37.1	2.3	29	•	•	•	•	
RDH9025B2	Ball		12.0~27.6	0.22	2,800	52.3	4.0	37	•	•	•	•	
RDM9025B2			12.0~27.6	0.18	2,500	47.0	3.2	34	•	•	•	•	
RDL9025B2			12.0~27.6	0.15	2,000	37.1	2.3	29	•	•	•	•	

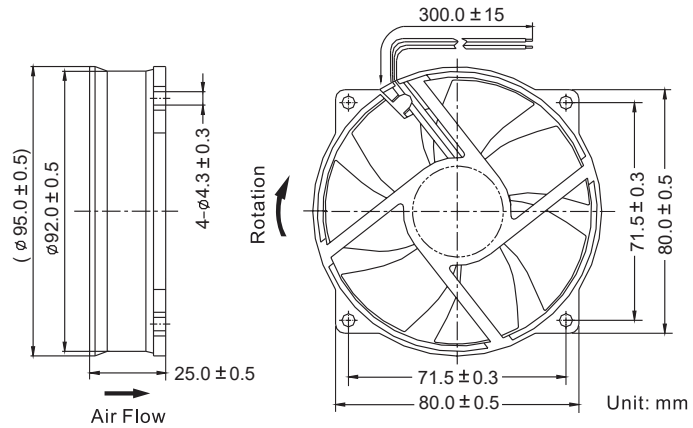
● All readings are typical values at rated voltage.  
● Specifications are subjected to change without prior notice.

Ø 92 x 25 mm

D Series

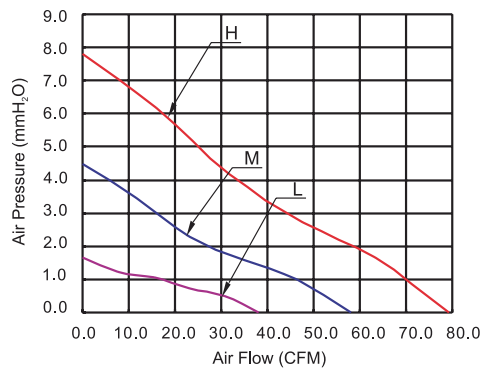


**Dimensions Drawing**



- **General Specification**
- Frame and Impeller : Thermal Plastic , UL 94V-0
- Lead Wires : UL Type  
(+) : Red (-) : Black
- Operation Temperature : -10°C~70°C  
35%~85%RH
- Storage Temperature : -40°C~80°C  
35%~85%RH
- (12V)

**Performance Curves**



Listed Model	Bearing System	Rated Voltage	Operation Voltage	Rated Current	Rated Speed	Air Flow	Air Pressure	Noise Level	Available Features (Optional)				Weight
		VDC	VDC	A	RPM	CFM	mmH <sub>2</sub> O	dBA	Tachometer Output	Rotation Detector	Thermal Control	Pulse Width Modulation	g
RDH9225S1	Sleeve	12	6.0~13.8	0.55	4,000	79.2	7.8	46	•	•	•	•	88
RDM9225S1			6.0~13.8	0.35	3,000	57.9	4.5	37	•	•	•	•	
RDL9225S1			6.0~13.8	0.22	2,000	38.1	1.7	26	•	•	•	•	
RDH9225B1	Ball		6.0~13.8	0.55	4,000	79.2	7.8	46	•	•	•	•	
RDM9225B1			6.0~13.8	0.35	3,000	57.9	4.5	37	•	•	•	•	
RDL9225B1			6.0~13.8	0.22	2,000	38.1	1.7	26	•	•	•	•	
RDH9225S2	Sleeve	24	12.0~27.6	0.30	4,000	79.2	7.8	46	•	•	•	•	
RDM9225S2			12.0~27.6	0.22	3,000	57.9	4.5	37	•	•	•	•	
RDL9225S2			12.0~27.6	0.12	2,000	38.1	1.7	26	•	•	•	•	
RDH9225B2	Ball		12.0~27.6	0.30	4,000	79.2	7.8	46	•	•	•	•	
RDM9225B2			12.0~27.6	0.22	3,000	57.9	4.5	37	•	•	•	•	
RDL9225B2			12.0~27.6	0.12	2,000	38.1	1.7	26	•	•	•	•	

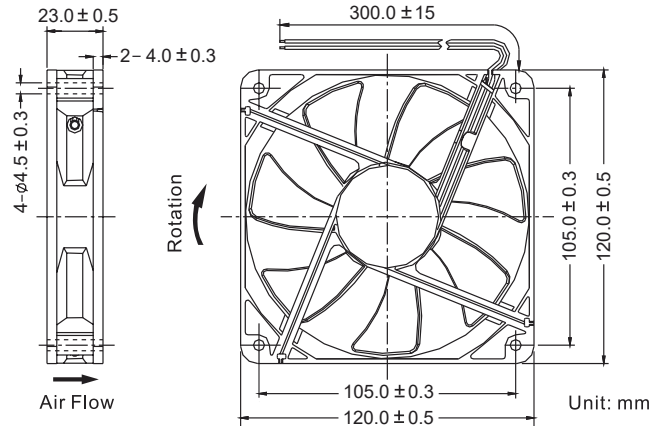
● All readings are typical values at rated voltage.  
● Specifications are subjected to change without prior notice.

**120x120x23 mm**

**D Series**

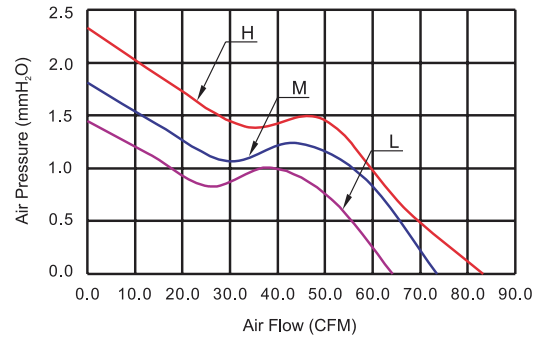


**Dimensions Drawing**



- **General Specification**
- Frame and Impeller : Thermal Plastic , UL 94V-0
- Lead Wires : UL Type  
(+) : Red (-) : Black
- Operation Temperature : -10°C~70°C  
35%~85%RH
- Storage Temperature : -40°C~80°C  
35%~85%RH

**Performance Curves**



Listed Model	Bearing System	Rated Voltage	Operation Voltage	Rated Current	Rated Speed	Air Flow	Air Pressure	Noise Level	Available Features (Optional)				Weight
		VDC	VDC	A	RPM	CFM	mmH <sub>2</sub> O	dBA	Tachometer Output	Rotation Detector	Thermal Control	Pulse Width Modulation	g
RDH1223S1	Sleeve	12	6.0~13.8	0.40	2,200	83.3	2.3	36	•	•		•	125
RDM1223S1			6.0~13.8	0.23	1,900	73.5	1.8	31	•	•		•	
RDL1223S1			6.0~13.8	0.18	1,700	64.3	1.5	29	•	•		•	

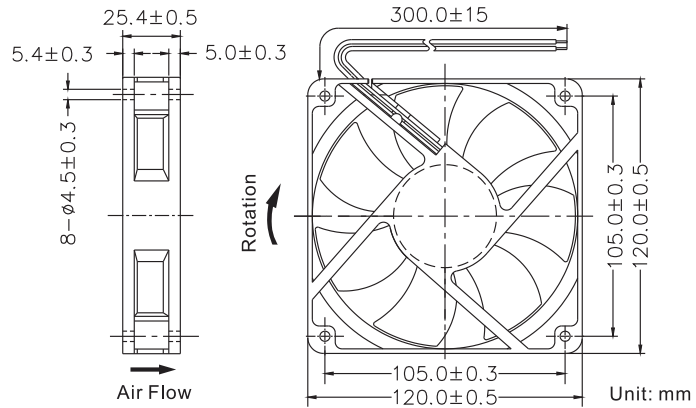
● All readings are typical values at rated voltage.  
● Specifications are subjected to change without prior notice.

**120x120x25 mm**

**D Series**



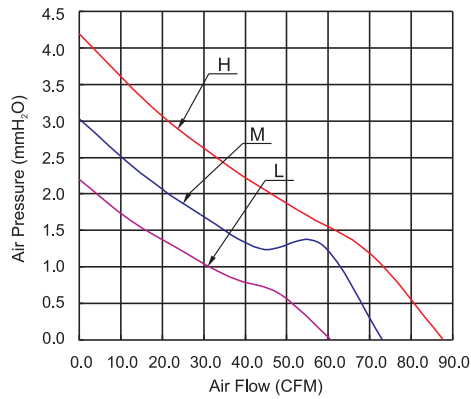
**Dimensions Drawing**



● **General Specification**

- Frame and Impeller : Thermal Plastic , UL 94V-0
- Lead Wires : UL Type  
(+) : Red (-) : Black
- Operation Temperature : -10°C~70°C  
35%~85%RH
- Storage Temperature : -40°C~80°C  
35%~85%RH
- 

**Performance Curves**

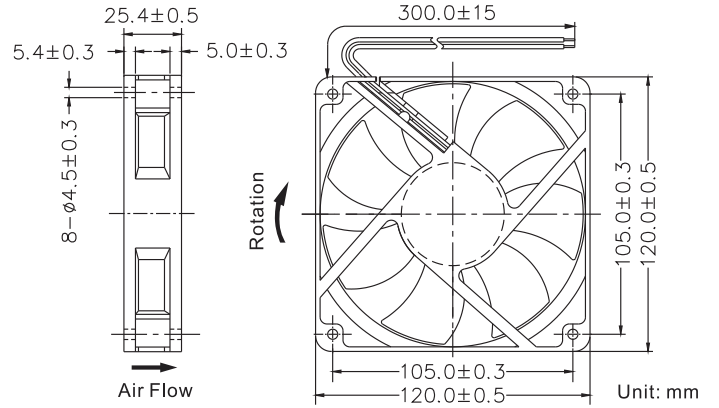


Listed Model	Bearing System	Rated Voltage	Operation Voltage	Rated Current	Rated Speed	Air Flow	Air Pressure	Noise Level	Available Features (Optional)				Weight
		VDC	VDC	A	RPM	CFM	mmH <sub>2</sub> O	dBA	Tachometer Output	Rotation Detector	Thermal Control	Pulse Width Modulation	g
RDH1225S	Sleeve	12	6.0~13.8	0.40	2,400	87.7	4.1	41	•	•	•	•	164
RDM1225S			6.0~13.8	0.23	2,000	73.0	3.0	36	•	•	•	•	
RDL1225S			6.0~13.8	0.18	1,700	60.5	2.2	31	•	•	•	•	
RDH1225B	Ball		6.0~13.8	0.40	2,400	87.7	4.1	41	•	•	•	•	
RDM1225B			6.0~13.8	0.23	2,000	73.0	3.0	36	•	•	•	•	
RDL1225B			6.0~13.8	0.18	1,700	60.5	2.2	31	•	•	•	•	
RDH1225S2	Sleeve	24	12.0~27.6	0.35	2,400	87.7	4.1	41	•	•			
RDM1225S2			12.0~27.6	0.20	2,000	73.0	3.0	36	•	•			
RDL1225S2			12.0~27.6	0.13	1,700	60.5	2.2	31	•	•			
RDH1225B2	Ball		12.0~27.6	0.35	2,400	87.7	4.1	41	•	•			
RDM1225B2			12.0~27.6	0.20	2,000	73.0	3.0	36	•	•			
RDL1225B2			12.0~27.6	0.13	1,700	60.5	2.2	31	•	•			

● All readings are typical values at rated voltage.  
● Specifications are subjected to change without prior notice.



**Dimensions Drawing**

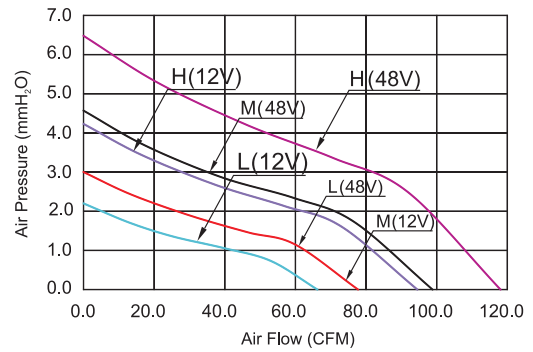


**General Specification**

- Frame and Impeller : Thermal Plastic , UL 94V-0
- Lead Wires : UL Type  
(+) : Red (-) : Black
- Operation Temperature : -10°C~70°C  
35%~85%RH
- Storage Temperature : -40°C~80°C  
35%~85%RH



**Performance Curves**

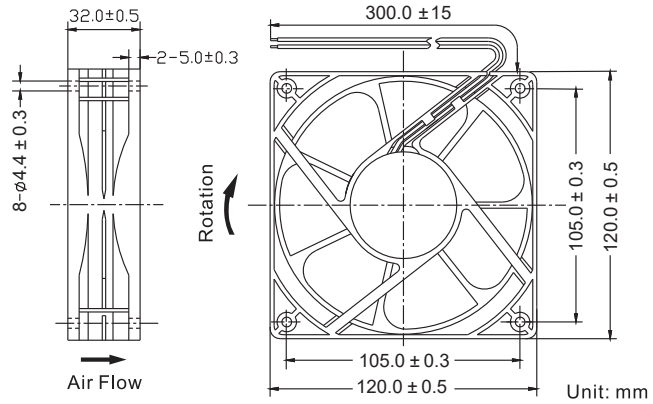


Listed Model	Bearing System	Rated Voltage	Operation Voltage	Rated Current	Rated Speed	Air Flow	Air Pressure	Noise Level	Available Features (Optional)				Weight
		VDC	VDC	A	RPM	CFM	mmH <sub>2</sub> O	dBA	Tachometer Output	Rotation Detector	Thermal Control	Pulse Width Modulation	g
RDH1225S	Sleeve	12	6.0~13.8	0.40	2,400	94.5	4.2	41	•	•	•	•	164
RDM1225S			6.0~13.8	0.23	2,000	77.7	3.0	36	•	•	•	•	
RDL1225S			6.0~13.8	0.18	1,700	66.2	2.2	31	•	•	•	•	
RDH1225B	Ball		6.0~13.8	0.40	2,400	94.5	4.2	41	•	•	•	•	
RDM1225B			6.0~13.8	0.23	2,000	77.7	3.0	36	•	•	•	•	
RDL1225B			6.0~13.8	0.18	1,700	66.2	2.2	31	•	•	•	•	
RDH1225S2	Sleeve	24	12.0~27.6	0.35	2,400	94.5	4.2	41	•	•	•	•	
RDM1225S2			12.0~27.6	0.20	2,000	77.7	3.0	36	•	•	•	•	
RDL1225S2			12.0~27.6	0.13	1,700	66.2	2.2	31	•	•	•	•	
RDH1225B2	Ball		12.0~27.6	0.35	2,400	94.5	4.2	41	•	•	•	•	
RDM1225B2			12.0~27.6	0.20	2,000	77.7	3.0	36	•	•	•	•	
RDL1225B2			12.0~27.6	0.13	1,700	66.2	2.2	31	•	•	•	•	
RDH1225B4	Ball	48	24.0~55.2	0.30	3,000	118.0	6.5	48	•	•	•	•	
RDM1225B4			24.0~55.2	0.24	2,500	98.8	4.6	43	•	•	•	•	
RDL1225B4			24.0~55.2	0.15	2,000	77.7	3.0	36	•	•	•	•	
RDH1225B6	Ball		60	36.0~72.0	0.30	3,000	118.0	6.5	48	•	•	•	•

● All readings are typical values at rated voltage.  
● Specifications are subjected to change without prior notice.



**Dimensions Drawing**



**General Specification**

Frame and Impeller : Thermal Plastic , UL 94V-0

Lead Wires : UL Type

(+) : Red (-) : Black

Operation Temperature : -10°C~70°C  
35%~85%RH

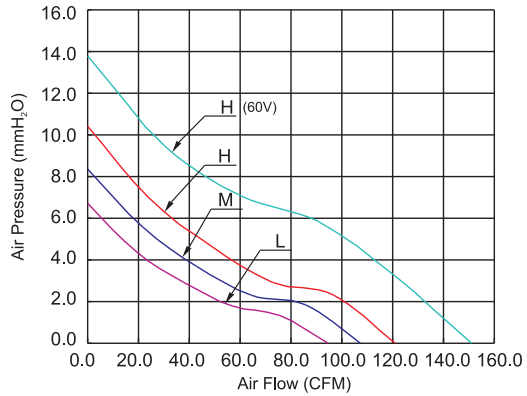
Storage Temperature : -40°C~80°C  
35%~85%RH

(12V)

(24V 48V)

(60V)

**Performance Curves**



Listed Model	Bearing System	Rated Voltage	Operation Voltage	Rated Current	Rated Speed	Air Flow	Air Pressure	Noise Level	Available Features (Optional)				Weight	
		VDC	VDC	A	RPM	CFM	mmH <sub>2</sub> O	dBA	Tachometer Output	Rotation Detector	Thermal Control	Pulse Width Modulation	g	
RDH1232S	Sleeve	12	6.0~13.8	0.60	3,750	120.4	10.7	51	•	•		•	250	
RDM1232S			6.0~13.8	0.50	3,300	106.6	8.6	48	•	•		•		
RDL1232S			6.0~13.8	0.32	2,900	93.0	6.9	44	•	•		•		
RDH1232B			Ball	6.0~13.8	0.60	3,750	120.4	10.7	51	•	•			•
RDM1232B				6.0~13.8	0.50	3,300	106.6	8.6	48	•	•			•
RDL1232B				6.0~13.8	0.32	2,900	93.0	6.9	44	•	•			•
RDH1232S	Sleeve	24	12.0~27.6	0.28	3,750	120.4	10.7	51	•	•		•		
RDM1232S			12.0~27.6	0.22	3,300	106.6	8.6	48	•	•		•		
RDL1232S			12.0~27.6	0.16	2,900	93.0	6.9	44	•	•		•		
RDH1232B			Ball	12.0~27.6	0.28	3,750	120.4	10.7	51	•	•			•
RDM1232B				12.0~27.6	0.22	3,300	106.6	8.6	48	•	•			•
RDL1232B				12.0~27.6	0.16	2,900	93.0	6.9	44	•	•			•
RDH1232S	Sleeve	48	24.0~55.2	0.18	3,750	120.4	10.7	51	•	•		•		
RDM1232S			24.0~55.2	0.15	3,300	106.6	8.6	48	•	•		•		
RDL1232S			24.0~55.2	0.13	2,900	93.0	6.9	44	•	•		•		
RDH1232B			Ball	24.0~55.2	0.18	3,750	120.4	10.7	51	•	•			•
RDM1232B				24.0~55.2	0.15	3,300	106.6	8.6	48	•	•			•
RDL1232B				24.0~55.2	0.13	2,900	93.0	6.9	44	•	•			•
RDH1232B6	Ball	60	36.0~72.0	0.30	4,400	151.1	13.8	55	•	•		•		

• All readings are typical values at rated voltage.  
• Specifications are subjected to change without prior notice.

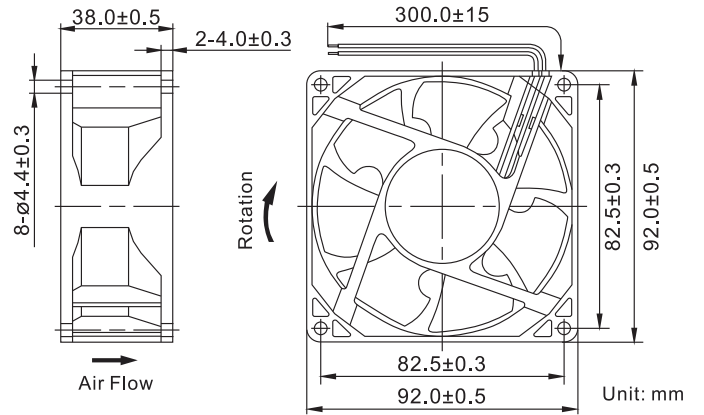


**92 x 92 x 38 mm**

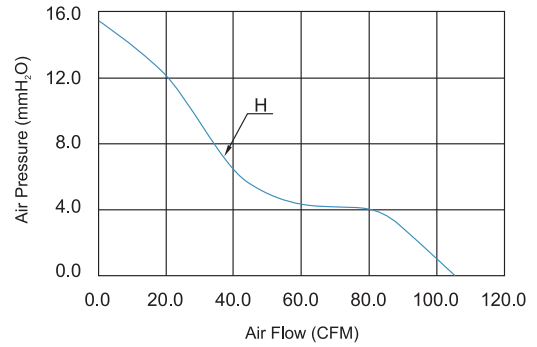
**D Series**



**Dimensions Drawing**



**Performance Curves**



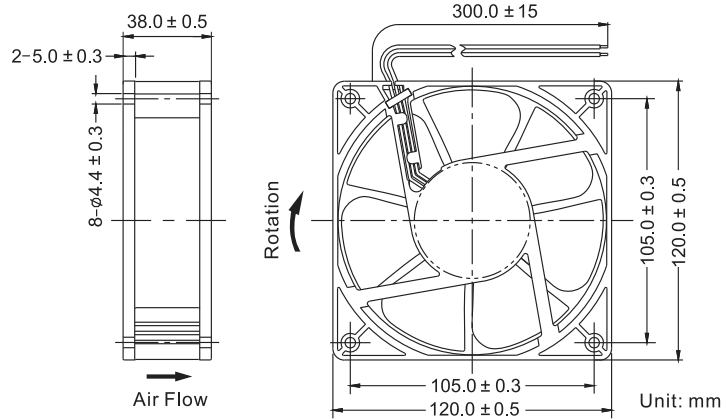
- **General Specification**
- Frame and Impeller : Thermal Plastic , UL 94V-0
- Lead Wires : UL Type  
(+) : Red (-) : Black
- Operation Temperature : -10°C~70°C  
35%~85%RH
- Storage Temperature : -40°C~80°C  
35%~85%RH

Listed Model	Bearing System	Rated Voltage	Operation Voltage	Rated Current	Rated Speed	Air Flow	Air Pressure	Noise Level	Available Features (Optional)				Weight
		VDC	VDC	A	RPM	CFM	mmH <sub>2</sub> O	dBA	Tachometer Output	Rotation Detector	Thermal Control	Pulse Width Modulation	g
RDH9238B1	Ball	12	7.0~13.8	2.2	5,000	105.0	15.4	52	•	•	•	•	196

● All readings are typical values at rated voltage.  
● Specifications are subjected to change without prior notice.

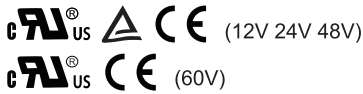


**Dimensions Drawing**

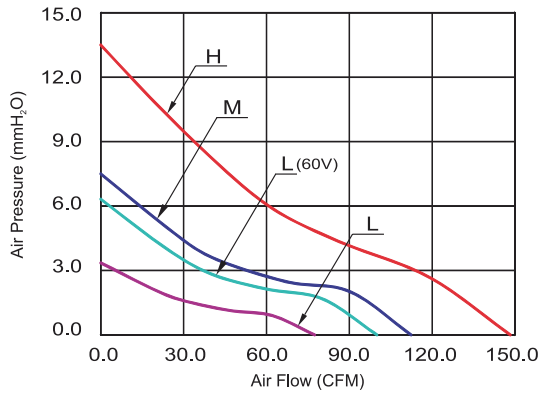


**General Specification**

- Frame and Impeller : Thermal Plastic , UL 94V-0
- Lead Wires : UL Type
- (+) : Red (-) : Black
- Operation Temperature : -10°C~70°C  
35%~85%RH
- Storage Temperature : -40°C~80°C  
35%~85%RH



**Performance Curves**

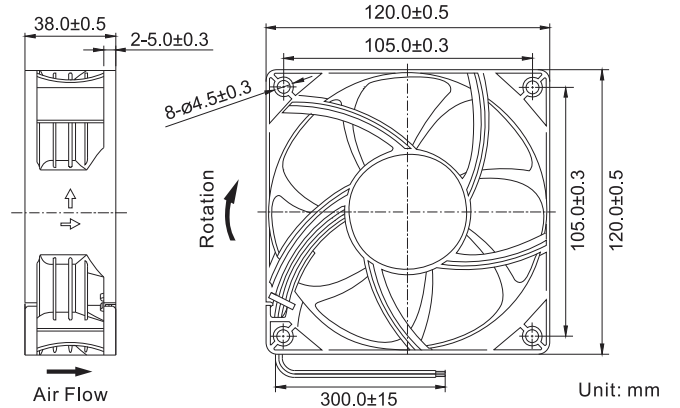


Listed Model	Bearing System	Rated Voltage	Operation Voltage	Rated Current	Rated Speed	Air Flow	Air Pressure	Noise Level	Available Features (Optional)				Weight
		VDC	VDC	A	RPM	CFM	mmH <sub>2</sub> O	dBA	Tachometer Output	Rotation Detector	Thermal Control	Pulse Width Modulation	g
RDH1238S1	Sleeve	12	6.0~13.8	1.30	3,800	148.3	13.5	52	•	•	•	•	290
RDM1238S1			6.0~13.8	0.58	2,900	112.4	7.5	44	•	•	•	•	
RDL1238S1			6.0~13.8	0.28	2,000	77.4	3.3	35	•	•	•	•	
RDH1238B1	Ball		6.0~13.8	1.30	3,800	148.3	13.5	52	•	•	•	•	
RDM1238B1			6.0~13.8	0.58	2,900	112.4	7.5	44	•	•	•	•	
RDL1238B1			6.0~13.8	0.28	2,000	77.4	3.3	35	•	•	•	•	
RDH1238S2	Sleeve	24	12.0~27.6	0.60	3,800	148.3	13.5	52	•	•	•	•	
RDM1238S2			12.0~27.6	0.40	2,900	112.4	7.5	44	•	•	•	•	
RDL1238S2			12.0~27.6	0.30	2,000	77.4	3.3	35	•	•	•	•	
RDH1238B2	Ball		12.0~27.6	0.60	3,800	148.3	13.5	52	•	•	•	•	
RDM1238B2			12.0~27.6	0.40	2,900	112.4	7.5	44	•	•	•	•	
RDL1238B2			12.0~27.6	0.30	2,000	77.4	3.3	35	•	•	•	•	
RDH1238S4	Sleeve	48	24.0~55.2	0.35	3,800	148.3	13.5	52	•	•	•	•	
RDM1238S4			24.0~55.2	0.30	2,900	112.4	7.5	44	•	•	•	•	
RDL1238S4			24.0~55.2	0.20	2,000	77.4	3.3	35	•	•	•	•	
RDH1238B4	Ball		24.0~55.2	0.35	3,800	148.3	13.5	52	•	•	•	•	
RDM1238B4			24.0~55.2	0.30	2,900	112.4	7.5	44	•	•	•	•	
RDL1238B4			24.0~55.2	0.20	2,000	77.4	3.3	35	•	•	•	•	
RDL1238B6	Ball	60	36.0~72.0	0.30	2,600	100.0	6.3	41	•	•	•	•	

● All readings are typical values at rated voltage.  
● Specifications are subjected to change without prior notice.

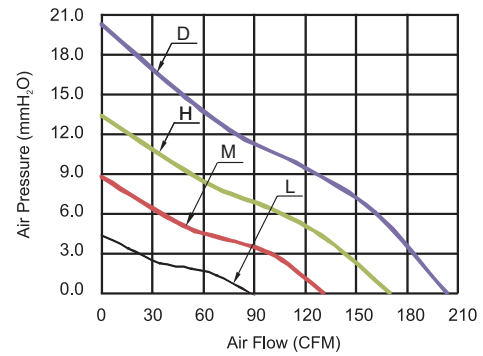


**Dimensions Drawing**



- **General Specification**
- Frame and Impeller : Thermal Plastic , UL 94V-0
- Lead Wires : UL Type  
(+) : Red (-) : Black
- Operation Temperature : -10°C~70°C  
35%~85%RH
- Storage Temperature : -40°C~80°C  
35%~85%RH
- 

**Performance Curves**



Listed Model	Bearing System	Rated Voltage	Operation Voltage	Rated Current	Rated Speed	Air Flow	Air Pressure	Noise Level	Available Features (Optional)				Weight	
		VDC	VDC	A	RPM	CFM	mmH <sub>2</sub> O	dBA	Tachometer Output	Rotation Detector	Thermal Control	Pulse Width Modulation	g	
RDH12038S1	Sleeve	12	6.0~13.8	1.30	3,800	169.6	13.4	54	•	•		•	290	
RDM12038S1			6.0~13.8	0.58	2,900	130.4	8.8	46	•	•		•		
RDL12038S1			6.0~13.8	0.28	2,000	87.7	4.4	35	•	•		•		
RDD12038B1	Ball		6.0~13.8	2.30	4,500	203.7	20.3	57	•	•		•		
RDH12038B1			6.0~13.8	1.30	3,800	169.6	13.4	54	•	•		•		
RDM12038B1			6.0~13.8	0.58	2,900	130.4	8.8	46	•	•		•		
RDL12038B1	Sleeve		24	6.0~13.8	0.28	2,000	87.7	4.4	35	•	•			•
RDH12038S2				12.0~27.6	0.60	3,800	169.6	13.4	54	•	•			•
RDM12038S2				12.0~27.6	0.40	2,900	130.4	8.8	46	•	•			•
RDL12038S2	12.0~27.6			0.30	2,000	87.7	4.4	35	•	•		•		
RDD12038B2	Ball			12.0~27.6	1.20	4,500	203.7	20.3	57	•	•			•
RDH12038B2				12.0~27.6	0.60	3,800	169.6	13.4	54	•	•			•
RDM12038B2		12.0~27.6		0.40	2,900	130.4	8.8	46	•	•		•		
RDL12038B2	Sleeve	48		12.0~27.6	0.30	2,000	87.7	4.4	35	•	•		•	
RDH12038S4				24.0~55.2	0.35	3,800	169.6	13.4	54	•	•		•	
RDM12038S4				24.0~55.2	0.30	2,900	130.4	8.8	46	•	•		•	
RDL12038S4	24.0~55.2			0.20	2,000	87.7	4.4	35	•	•		•		
RDD12038B4	Ball			24.0~55.2	0.60	4,500	203.7	20.3	57	•	•		•	
RDH12038B4			24.0~55.2	0.35	3,800	169.6	13.4	54	•	•		•		
RDM12038B4			24.0~55.2	0.30	2,900	130.4	8.8	46	•	•		•		
RDL12038B4			24.0~55.2	0.20	2,000	87.7	4.4	35	•	•		•		

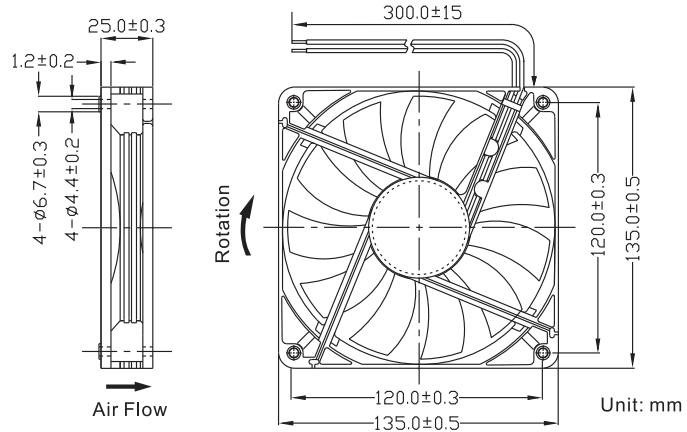
● All readings are typical values at rated voltage.  
● Specifications are subjected to change without prior notice.

**135x135x25 mm**

**D Series**



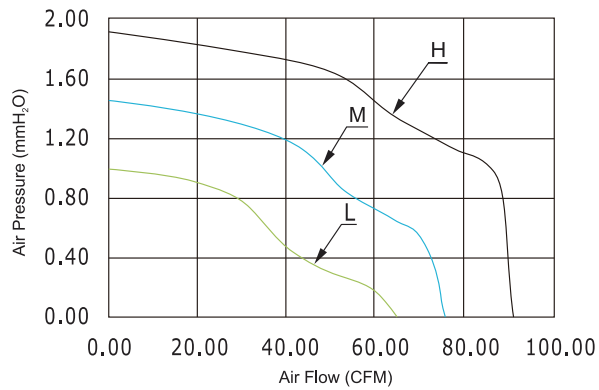
**Dimensions Drawing**



**General Specification**

- Frame and Impeller : Thermal Plastic , UL 94V-0
- Lead Wires : UL Type  
(+) : Red (-) : Black
- Operation Temperature : -10°C~70°C  
5%~90%RH
- Storage Temperature : -40°C~75°C  
5%~90%RH
- 

**Performance Curves**



Listed Model	Bearing System	Rated Voltage	Operation Voltage	Rated Current	Rated Speed	Air Flow	Air Pressure	Noise Level	Available Features (Optional)				Weight
		VDC	VDC	A	RPM	CFM	mmH <sub>2</sub> O	dBA	Tachometer Output	Rotation Detector	Thermal Control	Pulse Width Modulation	g
DFS132812H	Sleeve	12	10.8~13.2	0.25	1,700	91.2	1.9	36	•	•	•	•	197
DFS132512M			10.8~13.2	0.20	1,500	78.1	1.5	34	•	•	•	•	
DFS132512L			10.8~13.2	0.12	1,200	64.4	1.0	28	•	•	•	•	
DFB132512H	Ball		10.8~13.2	0.25	1,700	91.2	1.9	36	•	•	•	•	
DFB132512M			10.8~13.2	0.20	1,500	78.1	1.5	34	•	•	•	•	
DFB132512L			10.8~13.2	0.12	1,200	64.4	1.0	28	•	•	•	•	

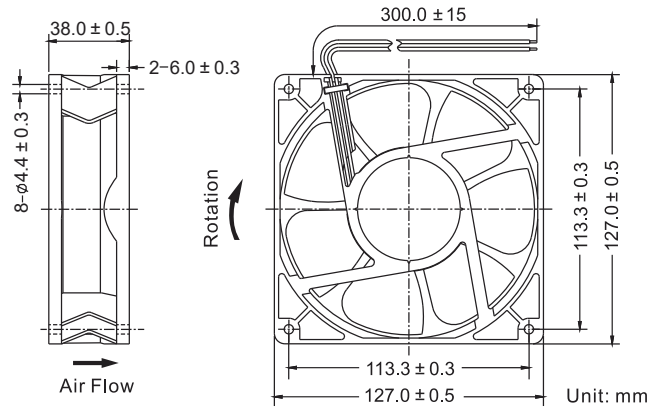
● All readings are typical values at rated voltage.  
● Specifications are subjected to change without prior notice.

**127x127x38 mm**

**D Series**

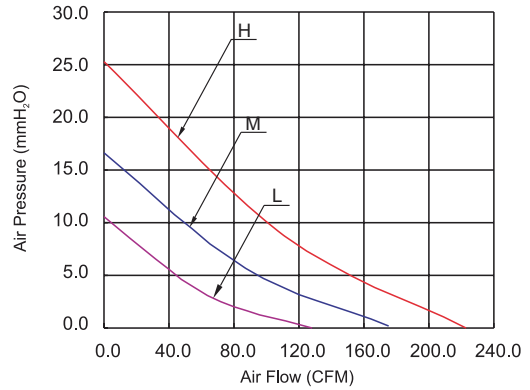


**Dimensions Drawing**



- **General Specification**
- Frame and Impeller : Thermal Plastic , UL 94V-0
- Lead Wires : UL Type  
(+) : Red (-) : Black
- Operation Temperature : -10°C~70°C  
35%~85%RH
- Storage Temperature : -40°C~80°C  
35%~85%RH
- 

**Performance Curves**



Listed Model	Bearing System	Rated Voltage	Operation Voltage	Rated Current	Rated Speed	Air Flow	Air Pressure	Noise Level	Available Features (Optional)				Weight g
		VDC	VDC	A	RPM	CFM	mmH <sub>2</sub> O	dBA	Tachometer Output	Rotation Detector	Thermal Control	Pulse Width Modulation	
RDH1338B1	Ball	12	7.0~13.8	2.80	5,000	222.9	25.3	61	•	•	•	•	300
RDM1338B1			7.0~13.8	1.80	4,000	175.1	16.7	55	•	•	•	•	
RDL1338B1			7.0~13.8	1.00	3,000	128.1	10.5	49	•	•	•	•	
RDH1338B2	Ball	24	12.0~27.6	1.50	5,000	222.9	25.3	61	•	•	•	•	
RDM1338B2			12.0~27.6	1.00	4,000	175.1	16.7	55	•	•	•	•	
RDL1338B2			12.0~27.6	0.50	3,000	128.1	10.5	49	•	•	•	•	
RDH1338B4	Ball	48	24.0~55.2	1.00	5,000	222.9	25.3	61	•	•	•	•	
RDM1338B4			24.0~55.2	0.60	4,000	175.1	16.7	55	•	•	•	•	
RDL1338B4			24.0~55.2	0.35	3,000	128.1	10.5	49	•	•	•	•	

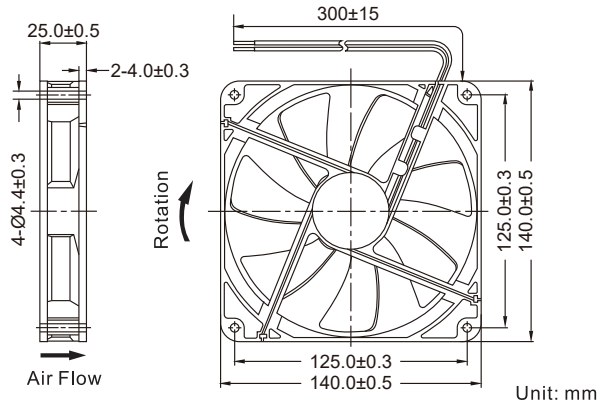
● All readings are typical values at rated voltage.  
● Specifications are subjected to change without prior notice.

**140x140x25 mm**

**D Series**



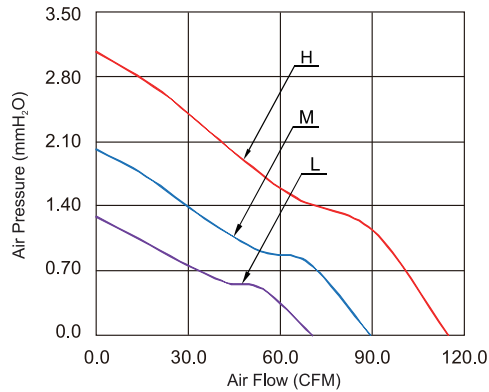
**Dimensions Drawing**



**General Specification**

- Frame and Impeller : Thermal Plastic , UL 94V-0
- Lead Wires : UL Type  
(+) : Red (-) : Black
- Operation Temperature : -10°C~70°C  
35%~85%RH
- Storage Temperature : -40°C~80°C  
35%~85%RH

**Performance Curves**



Listed Model	Bearing System	Rated Voltage	Operation Voltage	Rated Current	Rated Speed	Air Flow	Air Pressure	Noise Level	Available Features (Optional)				Weight
		VDC	VDC	A	RPM	CFM	mmH <sub>2</sub> O	dBA	Tachometer Output	Rotation Detector	Thermal Control	Pulse Width Modulation	g
RDH1425S	Sleeve	12	6.0~13.8	0.40	2,100	114.6	3.1	44	•	•		•	174
RDM1425S			6.0~13.8	0.30	1,650	89.3	2.0	37	•	•		•	
RDL1425S			6.0~13.8	0.20	1,300	70.3	1.3	30	•	•		•	
RDH1425B	Ball		6.0~13.8	0.40	2,100	114.5	3.1	44	•	•		•	
RDM1425B			6.0~13.8	0.30	1,650	89.3	2.0	37	•	•		•	
RDL1425B			6.0~13.8	0.20	1,300	70.3	1.3	30	•	•		•	

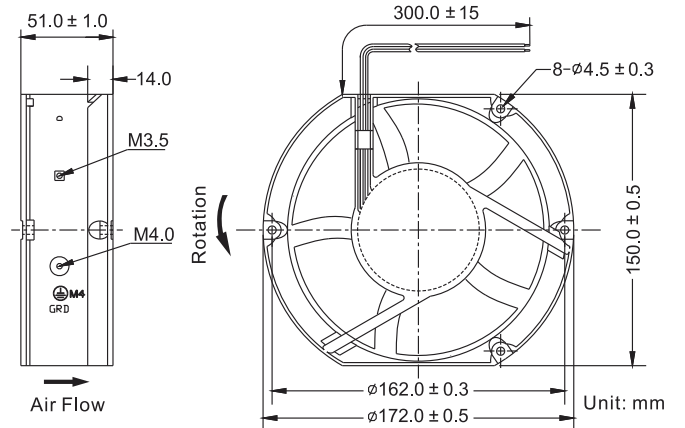
● All readings are typical values at rated voltage.  
● Specifications are subjected to change without prior notice.

**172x150x51 mm**

**D Series**



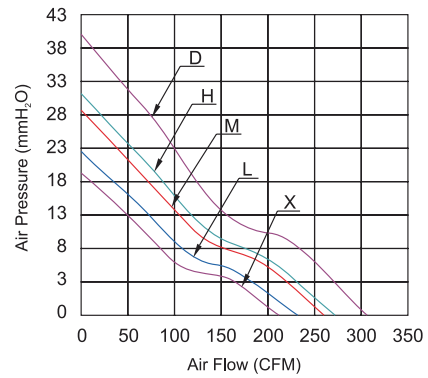
**Dimensions Drawing**



● **General Specification**

- Frame : Aluminum Alloy
- Impeller : Thermal Plastic , UL 94V-2
- Lead Wires : UL Type  
(+) : Red (-) : Black
- Operation Temperature : -10°C~70°C  
35%~85%RH
- Storage Temperature : -40°C~80°C  
35%~85%RH
- 

**Performance Curves**



Listed Model	Bearing System	Rated Voltage	Operation Voltage	Rated Current	Rated Speed	Air Flow	Air Pressure	Noise Level	Available Features (Optional)				Weight
		VDC	VDC	A	RPM	CFM	mmH <sub>2</sub> O	dBA	Tachometer Output	Rotation Detector	Thermal Control	Pulse Width Modulation	g
RDH1751B1-5	Ball	12	9.0~13.8	3.50	3,800	260.7	29.0	62	•	•		•	735
RDM1751B1-5			9.0~13.8	2.40	3,400	231.9	23.3	59	•	•		•	
RDL1751B1-5			9.0~13.8	1.70	3,100	211.8	20.0	56	•	•		•	
RDD1751B2-5	Ball	24	15.0~27.6	2.30	4,500	306.4	39.9	66	•	•		•	
RDH1751B2-5			15.0~27.6	1.80	4,000	272.6	31.5	64	•	•		•	
RDM1751B2-5			15.0~27.6	1.40	3,800	260.7	29.0	62	•	•		•	
RDL1751B2-5			15.0~27.6	0.95	3,400	231.9	23.3	59	•	•		•	
RDX1751B2-5			15.0~27.6	0.70	3,100	211.8	20.0	56	•	•		•	
RDD1751B4-5	Ball	48	24.0~55.2	1.20	4,500	306.4	39.9	66	•	•		•	
RDH1751B4-5			24.0~55.2	0.75	4,000	272.6	31.5	64	•	•		•	
RDM1751B4-5			24.0~55.2	0.60	3,800	260.7	29.0	62	•	•		•	
RDL1751B4-5			24.0~55.2	0.50	3,400	231.9	23.3	59	•	•		•	
RDX1751B4-5			24.0~55.2	0.40	3,100	211.8	20.0	56	•	•		•	

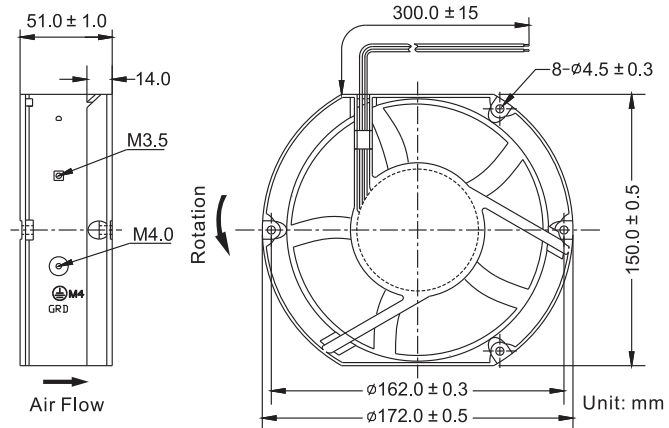
● All readings are typical values at rated voltage.  
● Specifications are subjected to change without prior notice.

Ø 172 x 51 mm

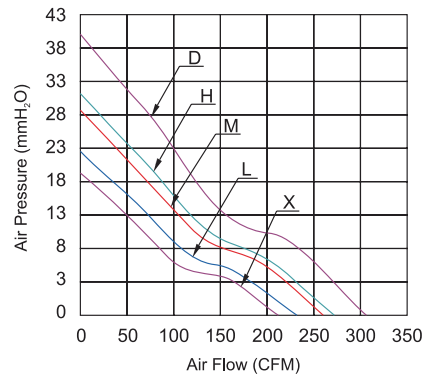
D Series



**Dimensions Drawing**



**Performance Curves**



● **General Specification**

- Frame : Aluminum Alloy
- Impeller : Thermal Plastic , UL 94V-2
- Lead Wires : UL Type  
(+) : Red (-) : Black
- Operation Temperature : -10°C~70°C  
35%~85%RH
- Storage Temperature : -40°C~80°C  
35%~85%RH



Listed Model	Bearing System	Rated Voltage	Operation Voltage	Rated Current	Rated Speed	Air Flow	Air Pressure	Noise Level	Available Features (Optional)				Weight
		VDC	VDC	A	RPM	CFM	mmH <sub>2</sub> O	dBA	Tachometer Output	Rotation Detector	Thermal Control	Pulse Width Modulation	g
RDH1725B1-5	Ball	12	9.0~13.8	3.50	3,800	267.7	30.2	59	•	•		•	830
RDM1725B1-5			9.0~13.8	2.40	3,400	235.0	24.4	56	•	•		•	
RDL1725B1-5			9.0~13.8	1.70	3,100	211.8	19.8	54	•	•		•	
RDD1725B2-5	Ball	24	15.0~27.6	2.30	4,500	316.9	42.2	63	•	•		•	
RDH1725B2-5			15.0~27.6	1.80	4,000	285.0	34.8	61	•	•		•	
RDM1725B2-5			15.0~27.6	1.40	3,800	267.7	30.2	59	•	•		•	
RDL1725B2-5			15.0~27.6	0.95	3,400	235.0	24.4	56	•	•		•	
RDX1725B2-5			15.0~27.6	0.70	3,100	211.8	19.8	54	•	•		•	
RDD1725B4-5	Ball	48	24.0~55.2	1.20	4,500	316.9	42.2	63	•	•		•	
RDH1725B4-5			24.0~55.2	0.75	4,000	285.0	34.8	61	•	•		•	
RDM1725B4-5			24.0~55.2	0.60	3,800	267.7	30.2	59	•	•		•	
RDL1725B4-5			24.0~55.2	0.50	3,400	235.0	24.4	56	•	•		•	
RDX1725B4-5			24.0~55.2	0.40	3,100	211.8	19.8	54	•	•		•	

● All readings are typical values at rated voltage.  
● Specifications are subjected to change without prior notice.

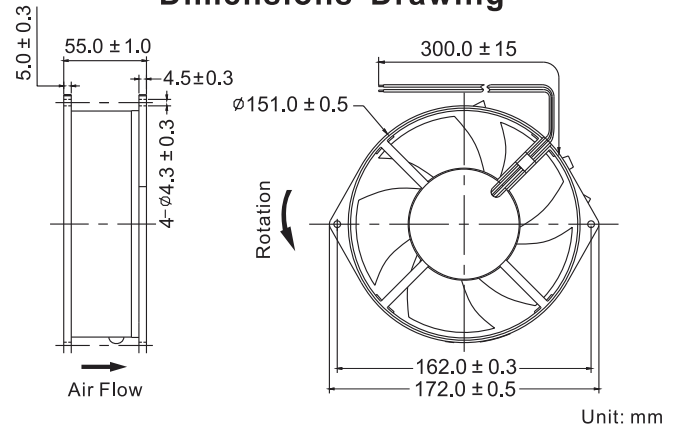


**Ø 151 x 55 mm**

**D Series**



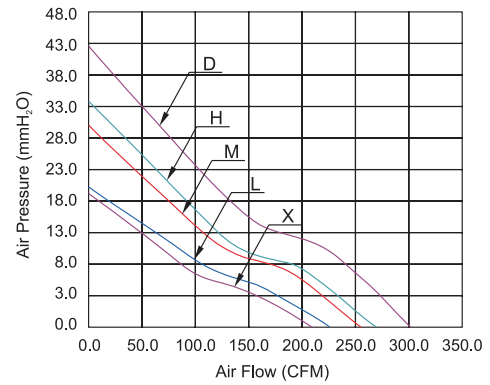
**Dimensions Drawing**



**General Specification**

- Frame : Aluminum Alloy
- Impeller : Thermal Plastic , UL 94V-2
- Lead Wires : UL Type  
(+) : Red (-) : Black
- Operation Temperature : -10°C~70°C  
35%~85%RH
- Storage Temperature : -40°C~80°C  
35%~85%RH
- 

**Performance Curves**



Listed Model	Bearing System	Rated Voltage	Operation Voltage	Rated Current	Rated Speed	Air Flow	Air Pressure	Noise Level	Available Features (Optional)				Weight
		VDC	VDC	A	RPM	CFM	mmH <sub>2</sub> O	dBA	Tachometer Output	Rotation Detector	Thermal Control	Pulse Width Modulation	g
RDH1555B1-5	Ball	12	9.0~13.8	3.50	3,800	255.8	30.7	60	•	•		•	765
RDM1555B1-5			9.0~13.8	2.40	3,400	225.8	21.1	58	•	•		•	
RDL1555B1-5			9.0~13.8	1.70	3,100	209.4	20.2	54	•	•		•	
RDD1555B2-5	Ball	24	15.0~27.6	2.30	4,500	301.6	42.6	65	•	•		•	
RDH1555B2-5			15.0~27.6	1.80	4,000	270.0	34.2	62	•	•		•	
RDM1555B2-5			15.0~27.6	1.40	3,800	255.8	30.7	60	•	•		•	
RDL1555B2-5			15.0~27.6	0.95	3,400	225.8	21.1	58	•	•		•	
RDX1555B2-5			15.0~27.6	0.70	3,100	209.4	20.2	54	•	•		•	
RDD1555B4-5	Ball	48	24.0~55.2	1.20	4,500	301.6	42.6	65	•	•		•	
RDH1555B4-5			24.0~55.2	0.75	4,000	270.0	34.2	62	•	•		•	
RDM1555B4-5			24.0~55.2	0.60	3,800	255.8	30.7	60	•	•		•	
RDL1555B4-5			24.0~55.2	0.50	3,400	225.8	21.1	58	•	•		•	
RDX1555B4-5			24.0~55.2	0.40	3,100	209.4	20.2	54	•	•		•	

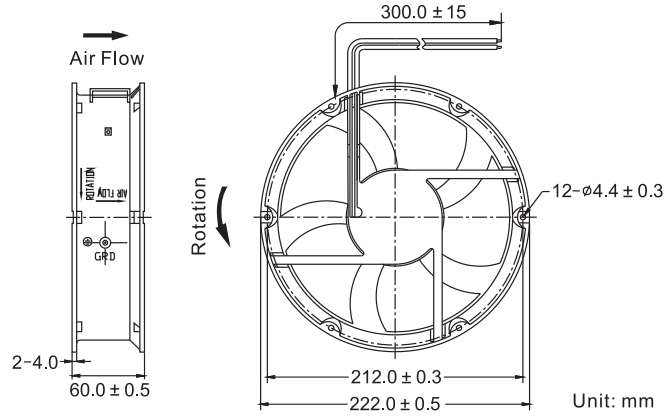
● All readings are typical values at rated voltage.  
● Specifications are subjected to change without prior notice.

Ø 222 x 60 mm

D Series



**Dimensions Drawing**

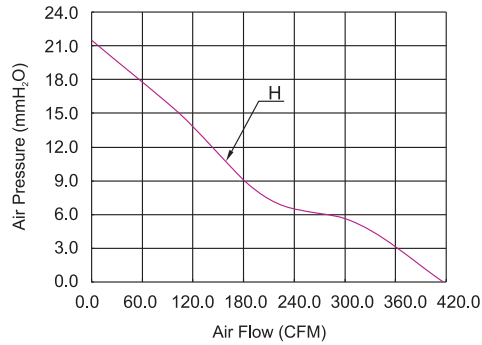


Unit: mm

**General Specification**

- Frame : Aluminum Alloy
- Impeller : PA6 UL94V-0 Reinforced Plastic
- Lead Wires : UL Type  
(+) : Red (-) : Black
- Operation Temperature : -10°C~70°C  
35%~85%RH
- Storage Temperature : -40°C~80°C  
35%~85%RH

**Performance Curves**



Listed Model	Bearing System	Rated Voltage	Operation Voltage	Rated Current	Rated Speed	Air Flow	Air Pressure	Noise Level	Available Features (Optional)				Weight
		VDC	VDC	A	RPM	CFM	mmH <sub>2</sub> O	dBA	Tachometer Output	Rotation Detector	Thermal Control	Pulse Width Modulation	g
RDH2260B4	Ball	48	24.0~55.2	1.20	2,800	416.8	21.5	62	•	•	•	•	1150

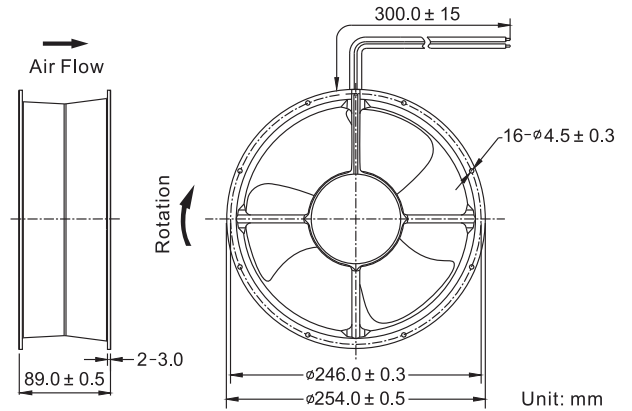
● All readings are typical values at rated voltage.  
● Specifications are subjected to change without prior notice.

**Ø 254 x 89 mm**

**D Series**



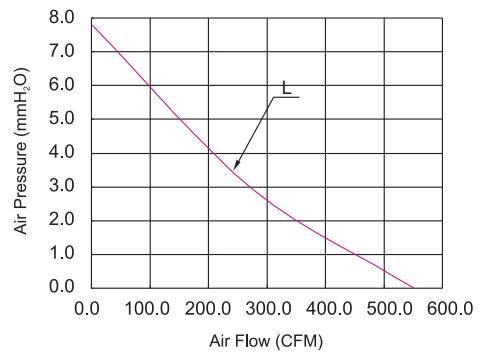
**Dimensions Drawing**



**General Specification**

- Frame : Aluminum Alloy
- Impeller : PA6 UL94V-0 Reinforced Plastic
- Lead Wires : UL Type  
(+) : Red (-) : Black
- Operation Temperature : -10°C~70°C  
35%~85%RH
- Storage Temperature : -40°C~80°C  
35%~85%RH

**Performance Curves**



Listed Model	Bearing System	Rated Voltage	Operation Voltage	Rated Current	Rated Speed	Air Flow	Air Pressure	Noise Level	Available Features (Optional)				Weight
		VDC	VDC	A	RPM	CFM	mmH <sub>2</sub> O	dBA	Tachometer Output	Rotation Detector	Thermal Control	Pulse Width Modulation	g
RDL2589B4	Ball	48	24.0~55.2	0.65	1,800	551.7	7.8	57	•	•	•	•	1730

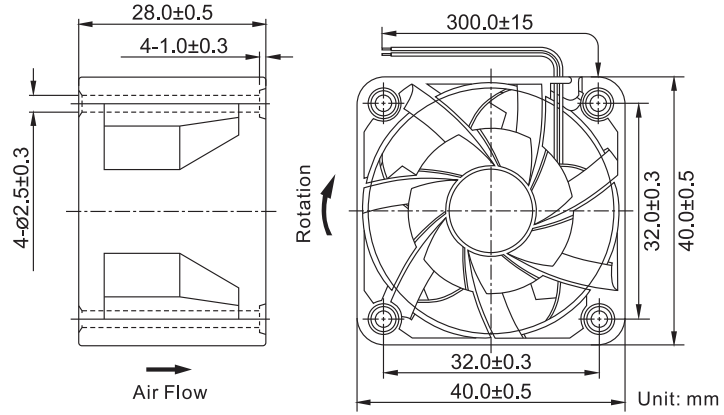
● All readings are typical values at rated voltage.  
● Specifications are subjected to change without prior notice.

**40 x 40 x 28 mm**

**G Series**



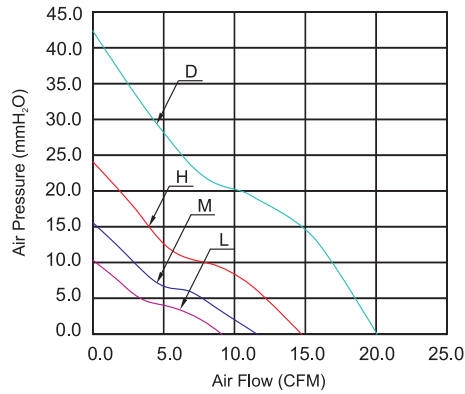
**Dimensions Drawing**



**General Specification**

- Frame and Impeller : Thermal Plastic , UL 94V-0
- Lead Wires : UL Type  
(+) : Red (-) : Black
- Operation Temperature : -10°C~70°C  
35%~85%RH
- Storage Temperature : -40°C~80°C  
35%~85%RH
- 

**Performance Curves**



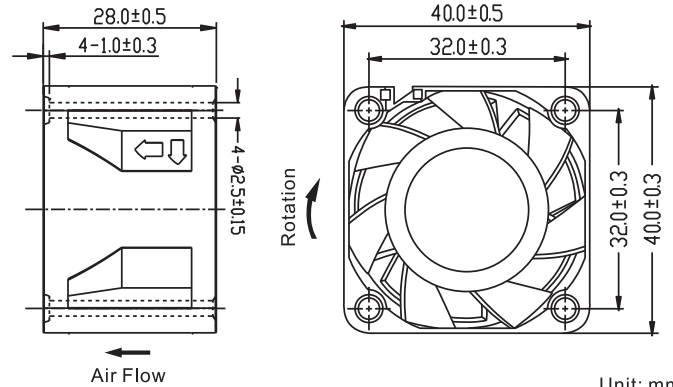
Listed Model	Bearing System	Rated Voltage	Operation Voltage	Rated Current	Rated Speed	Air Flow	Air Pressure	Noise Level	Available Features (Optional)				Weight
		VDC	VDC	A	RPM	CFM	mmH <sub>2</sub> O	dBA	Tachometer Output	Rotation Detector	Thermal Control	Pulse Width Modulation	g
RGD4028B1	Ball	12	6.0~13.8	0.65	17,500	20.1	42.2	54	•	•		•	53
RGH4028B1			6.0~13.8	0.38	13,000	14.7	24.0	46	•	•		•	
RGM4028B1			6.0~13.8	0.25	10,000	11.4	15.2	41	•	•		•	
RGL4028B1			6.0~13.8	0.15	8,000	9.1	10.2	37	•	•		•	
RGH4028B2	Ball	24	12.0~27.6	0.30	13,000	14.7	24.0	46	•	•		•	53
RGM4028B2			12.0~27.6	0.15	10,000	11.4	15.2	41	•	•		•	
RGL4028B2			12.0~27.6	0.10	8,000	9.1	10.2	37	•	•		•	

● All readings are typical values at rated voltage.  
● Specifications are subjected to change without prior notice.

**40 x 40 x 28 mm**

**G Series**

**Dimensions Drawing**

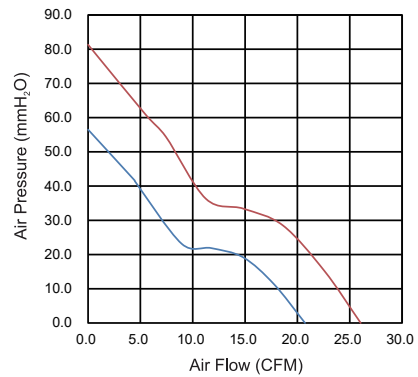


Unit: mm

**General Specification**

- Frame and Impeller : Thermal Plastic , UL 94V-0
- Lead Wires : UL Type  
(+) : Red (-) : Black
- Operation Temperature : -10°C~70°C  
35%~85%RH
- Storage Temperature : -40°C~80°C  
35%~85%RH
- 

**Performance Curves**



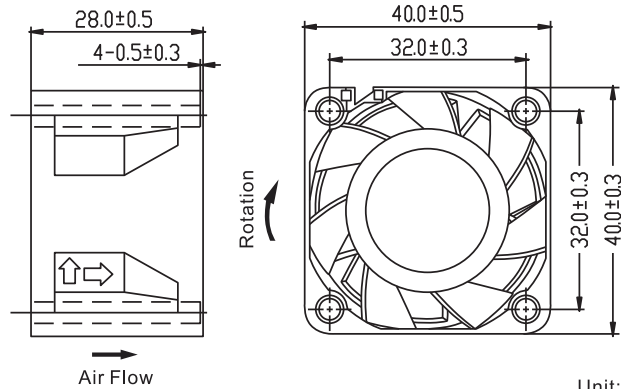
Listed Model	Bearing System	Rated Voltage	Operation Voltage	Rated Current	Rated Speed	Air Flow	Air Pressure	Noise Level	Available Features (Optional)				Weight g
		VDC	VDC	A	RPM	CFM	mmH <sub>2</sub> O	dBA	Tachometer Output	Rotation Detector	Thermal Control	Pulse Width Modulation	
RGD4028B1	Ball	12	6.0~13.8	0.73	23,000	26.0	81.0	60.5	•	•	•	•	50
RGD4028B1			6.0~13.8	0.65	18,000	20.7	55.0	55	•	•	•	•	

● All readings are typical values at rated voltage.  
● Specifications are subjected to change without prior notice.

**40 x 40 x 28 mm**

**G Series**

**Dimensions Drawing**

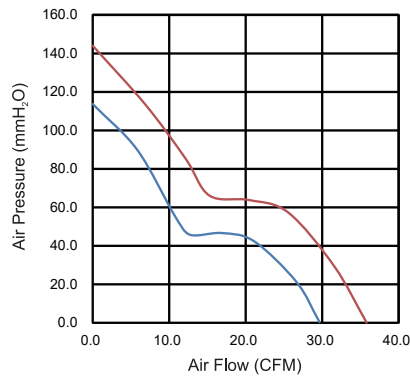


Unit: mm

**General Specification**

- Frame and Impeller : Thermal Plastic , UL 94V-0
- Lead Wires : UL Type  
(+) : Red (-) : Black
- Operation Temperature : -10°C~70°C  
35%~85%RH
- Storage Temperature : -40°C~80°C  
35%~85%RH

**Performance Curves**

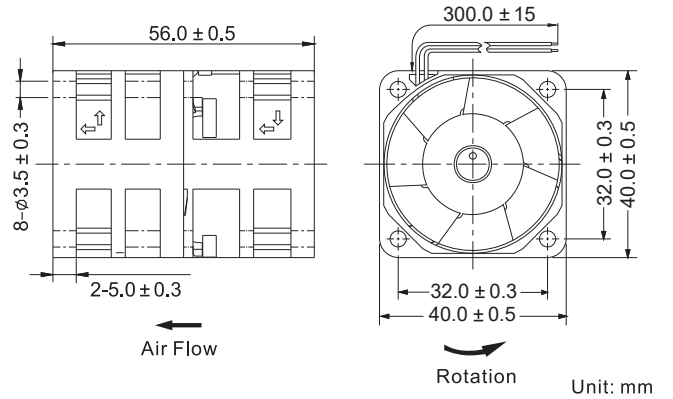


Listed Model	Bearing System	Rated Voltage	Operation Voltage	Rated Current	Rated Speed	Air Flow	Air Pressure	Noise Level	Available Features (Optional)				Weight
		VDC	VDC	A	RPM	CFM	mmH <sub>2</sub> O	dBA	Tachometer Output	Rotation Detector	Thermal Control	Pulse Width Modulation	g
RGD4028B1-1	Ball	12	6.0~13.8	2.30	30,000	35.5	141.0	70.5	•	•	•	•	50
RGD4028B1-1			6.0~13.8	1.50	26,500	30.2	110.0	67.5	•	•	•	•	

● All readings are typical values at rated voltage.  
● Specifications are subjected to change without prior notice.



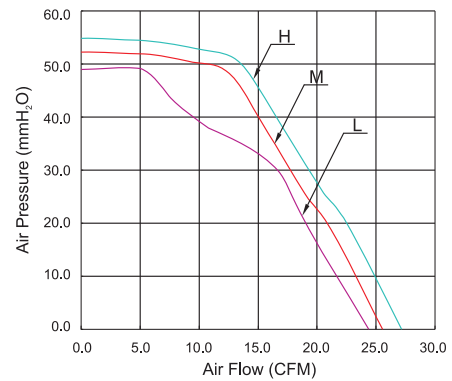
**Dimensions Drawing**



**General Specification**

- Frame and Impeller : Thermal Plastic , UL 94V-0
- Lead Wires : UL Type  
(+) : Red (-) : Black
- Operation Temperature : -10°C~70°C  
35%~85%RH
- Storage Temperature : -40°C~80°C  
35%~85%RH
- 

**Performance Curves**



Listed Model	Bearing System	Rated Voltage	Operation Voltage	Rated Current	Rated Speed	Air Flow	Air Pressure	Noise Level	Available Features (Optional)				Weight g
		VDC	VDC	A	RPM	CFM	mmH <sub>2</sub> O	dBA	Tachometer Output	Rotation Detector	Thermal Control	Pulse Width Modulation	
RGH4056B1	Ball	12	6.0~13.8	1.20	16,500/14,000	27.1	54.8	63	•	•		•	90
RGM4056B1			6.0~13.8	1.00	16,500/11,000	25.5	52.3	62	•	•		•	
RGL4056B1			6.0~13.8	0.85	16,500/9,000	24.3	49.0	60	•	•		•	

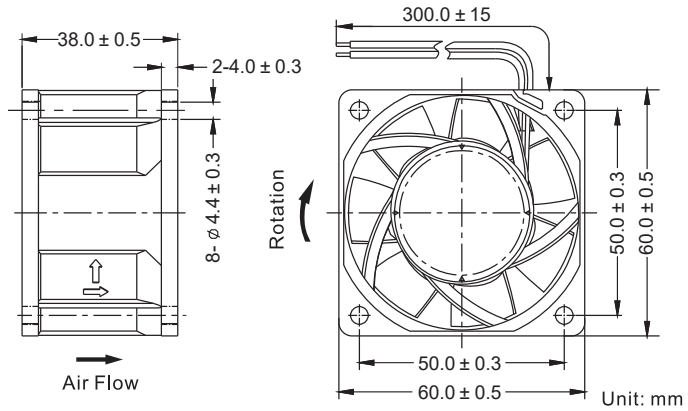
● All readings are typical values at rated voltage.  
● Specifications are subjected to change without prior notice.

**60 x 60 x 38 mm**

**G Series**



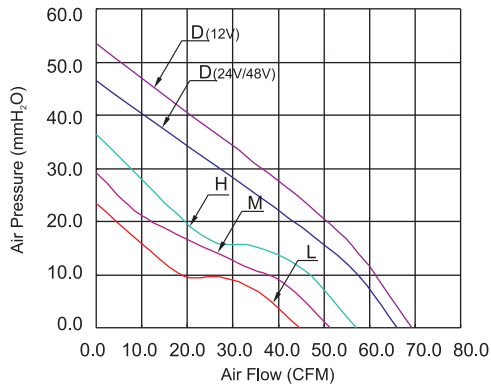
**Dimensions Drawing**



**General Specification**

- Frame and Impeller : Thermal Plastic , UL 94V-0
- Lead Wires : UL Type  
(+) : Red (-) : Black
- Operation Temperature : -10°C~70°C  
35%~85%RH
- Storage Temperature : -40°C~80°C  
35%~85%RH
- 

**Performance Curves**



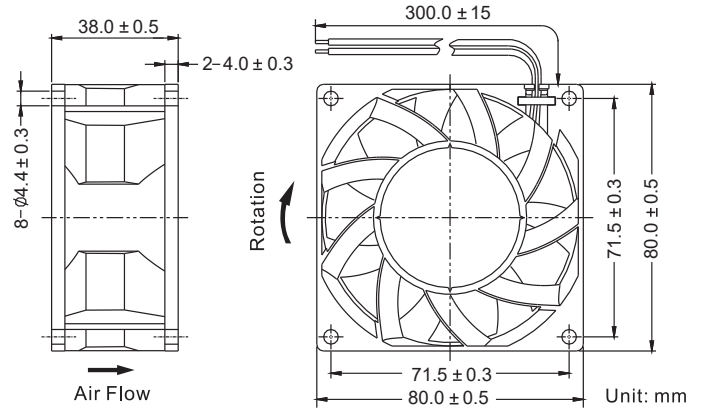
Listed Model	Bearing System	Rated Voltage	Operation Voltage	Rated Current	Rated Speed	Air Flow	Air Pressure	Noise Level	Available Features (Optional)				Weight
		VDC	VDC	A	RPM	CFM	mmH <sub>2</sub> O	dBA	Tachometer Output	Rotation Detector	Thermal Control	Pulse Width Modulation	g
RGD6038B1	Ball	12	6.0~13.8	1.60	12,000	69.2	53.6	64	•	•		•	106
RGH6038B1			6.0~13.8	0.86	10,000	57.0	36.3	60	•	•		•	
RGM6038B1			6.0~13.8	0.65	9,000	51.3	29.1	57	•	•		•	
RGL6038B1			6.0~13.8	0.48	8,000	44.6	23.2	53	•	•		•	
RGD6038B2	Ball	24	12.0~27.6	0.72	11,000	66.1	46.4	62	•	•		•	
RGH6038B2			12.0~27.6	0.46	10,000	57.0	36.3	60	•	•		•	
RGM6038B2			12.0~27.6	0.36	9,000	51.3	29.1	57	•	•		•	
RGL6038B2			12.0~27.6	0.26	8,000	44.6	23.2	53	•	•		•	
RGD6038B4	Ball	48	24.0~55.2	0.41	11,000	66.1	46.4	62	•	•		•	
RGH6038B4			24.0~55.2	0.31	10,000	57.0	36.3	60	•	•		•	
RGM6038B4			24.0~55.2	0.26	9,000	51.3	29.1	57	•	•		•	
RGL6038B4			24.0~55.2	0.21	8,000	44.6	23.2	53	•	•		•	

● All readings are typical values at rated voltage.  
● Specifications are subjected to change without prior notice.





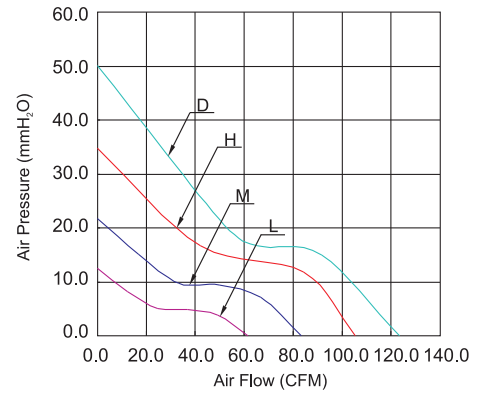
**Dimensions Drawing**



**General Specification**

- Frame and Impeller : Thermal Plastic , UL 94V-0
- Lead Wires : UL Type  
(+) : Red (-) : Black
- Operation Temperature : -10°C~70°C  
35%~85%RH
- Storage Temperature : -40°C~80°C  
35%~85%RH
- 

**Performance Curves**



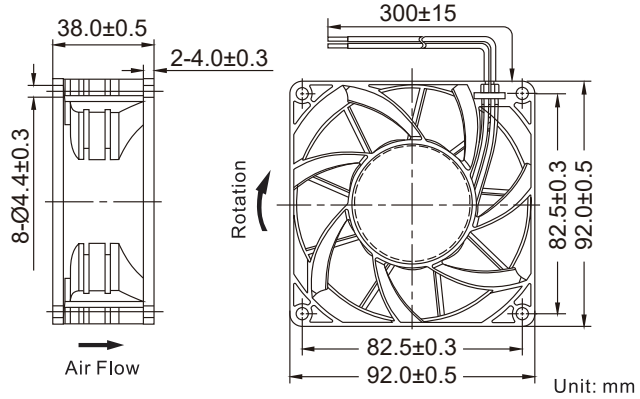
Listed Model	Bearing System	Rated Voltage	Operation Voltage	Rated Current	Rated Speed	Air Flow	Air Pressure	Noise Level	Available Features (Optional)				Weight
		VDC	VDC	A	RPM	CFM	mmH <sub>2</sub> O	dBA	Tachometer Output	Rotation Detector	Thermal Control	Pulse Width Modulation	g
RGD8038B1	Ball	12	6.0~13.8	2.80	9,000	123.3	50.0	67	•	•		•	180
RGH8038B1			6.0~13.8	1.55	7,500	105.2	34.8	63	•	•		•	
RGM8038B1			6.0~13.8	0.85	6,000	83.4	21.8	57	•	•		•	
RGL8038B1			6.0~13.8	0.45	4,500	61.5	12.4	49	•	•		•	
RGD8038B2	Ball	24	12.0~27.6	1.40	9,000	123.3	50.0	67	•	•		•	
RGH8038B2			12.0~27.6	0.78	7,500	105.2	34.8	63	•	•		•	
RGM8038B2			12.0~27.6	0.45	6,000	83.4	21.8	57	•	•		•	
RGL8038B2			12.0~27.6	0.25	4,500	61.5	12.4	49	•	•		•	
RGD8038B4	Ball	48	24.0~55.2	0.75	9,000	123.3	50.0	67	•	•		•	
RGH8038B4			24.0~55.2	0.45	7,500	105.2	34.8	63	•	•		•	
RGM8038B4			24.0~55.2	0.28	6,000	83.4	21.8	57	•	•		•	
RGL8038B4			24.0~55.2	0.18	4,500	61.5	12.4	49	•	•		•	

● All readings are typical values at rated voltage.  
● Specifications are subjected to change without prior notice.

**92 x 92 x 38 mm**

**G Series**

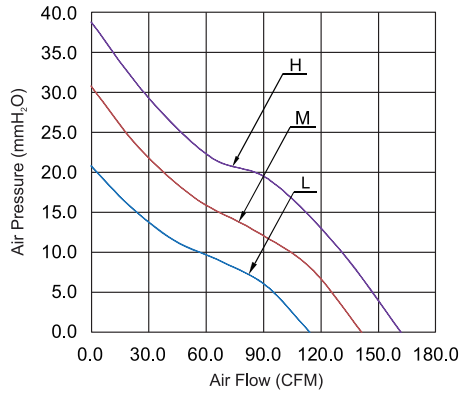
**Dimensions Drawing**



**General Specification**

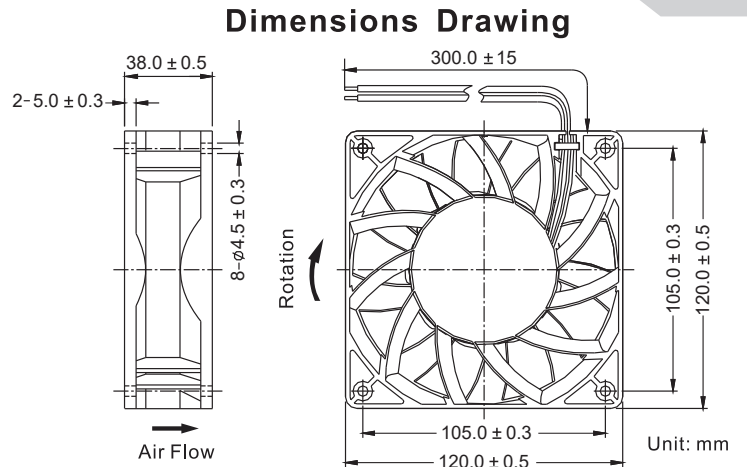
- Frame and Impeller : Thermal Plastic , UL 94V-0
- Lead Wires : UL Type  
(+) : Red (-) : Black
- Operation Temperature : -10°C~70°C  
35%~85%RH
- Storage Temperature : -40°C~80°C  
35%~85%RH

**Performance Curves**

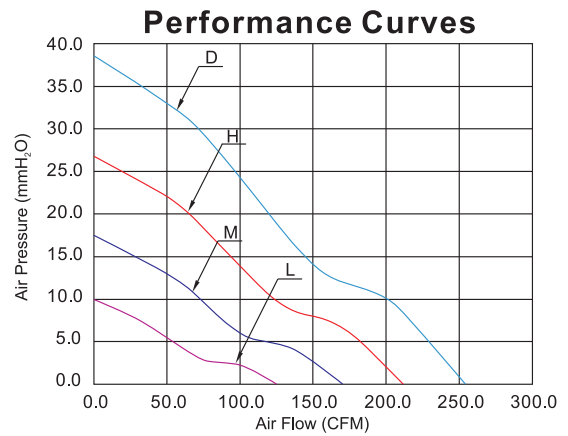


Listed Model	Bearing System	Rated Voltage	Operation Voltage	Rated Current	Rated Speed	Air Flow	Air Pressure	Noise Level	Available Features (Optional)				Weight g
		VDC	VDC	A	RPM	CFM	mmH <sub>2</sub> O	dBA	Tachometer Output	Rotation Detector	Thermal Control	Pulse Width Modulation	
RGH9238B1	Ball	12	7.0~13.8	4.00	7,500	161.8	38.8	66	•	•		•	240
RGM9238B1			7.0~13.8	2.20	6,500	141.4	30.8	62	•	•		•	
RGL9238B1			7.0~13.8	1.30	5,500	114.3	20.8	59	•	•		•	
RGH9238B2	Ball	24	12.0~27.6	1.90	7,500	161.8	38.8	66	•	•		•	
RGM9238B2			12.0~27.6	1.10	6,500	141.4	30.8	62	•	•		•	
RGL9238B2			12.0~27.6	0.65	5,500	114.3	20.8	59	•	•		•	
RGH9238B4	Ball	48	24.0~55.2	1.00	7,500	161.8	38.8	66	•	•		•	
RGM9238B4			24.0~55.2	0.55	6,500	141.4	30.8	62	•	•		•	
RGL9238B4			24.0~55.2	0.35	5,500	114.3	20.8	59	•	•		•	

● All readings are typical values at rated voltage.  
● Specifications are subjected to change without prior notice.



- **General Specification**
- Frame and Impeller : Thermal Plastic , UL 94V-0
- Lead Wires : UL Type  
(+) : Red (-) : Black
- Operation Temperature : -10°C~70°C  
35%~85%RH
- Storage Temperature : -40°C~80°C  
35%~85%RH
- 



Listed Model	Bearing System	Rated Voltage	Operation Voltage	Rated Current	Rated Speed	Air Flow	Air Pressure	Noise Level	Available Features (Optional)				Weight g
		VDC	VDC	A	RPM	CFM	mmH <sub>2</sub> O	dBA	Tachometer Output	Rotation Detector	Thermal Control	Pulse Width Modulation	
RGH1238B1	Ball	12	6.0~13.8	3.60	5,000	211.7	26.8	65	•	•	•	•	350
RGM1238B1			6.0~13.8	2.00	4,000	170.3	17.5	59	•	•	•	•	
RGL1238B1			6.0~13.8	1.50	3,000	125.1	9.9	52	•	•	•	•	
RGH1238B2	Ball	24	12.0~27.6	1.70	5,000	211.7	26.8	65	•	•	•	•	
RGM1238B2			12.0~27.6	1.10	4,000	170.3	17.5	59	•	•	•	•	
RGL1238B2			12.0~27.6	0.60	3,000	125.1	9.9	52	•	•	•	•	
RGD1238B4	Ball	48	24.0~55.2	1.30	6,000	254.1	38.6	70	•	•	•	•	
RGH1238B4			24.0~55.2	1.00	5,000	211.7	26.8	65	•	•	•	•	
RGM1238B4			24.0~55.2	0.60	4,000	170.3	17.5	59	•	•	•	•	
RGL1238B4			24.0~55.2	0.38	3,000	125.1	9.9	52	•	•	•	•	

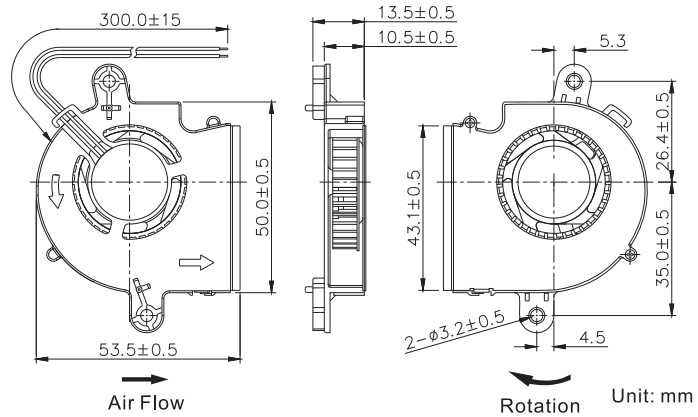
● All readings are typical values at rated voltage.  
● Specifications are subjected to change without prior notice.

**53 x 50 x 10 mm**

**B Series**



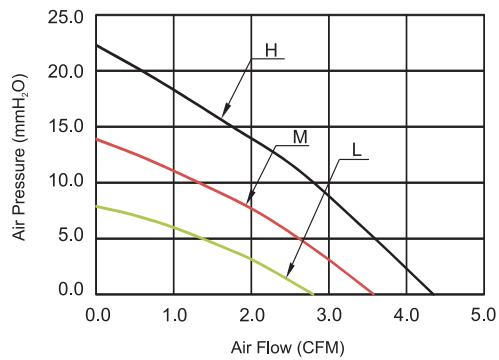
**Dimensions Drawing**



**General Specification**

- Frame and Impeller : Thermal Plastic , UL 94V-0
- Lead Wires : UL Type  
(+) : Red (-) : Black
- Operation Temperature : -10°C~70°C  
35%~85%RH
- Storage Temperature : -40°C~80°C  
35%~85%RH

**Performance Curves**



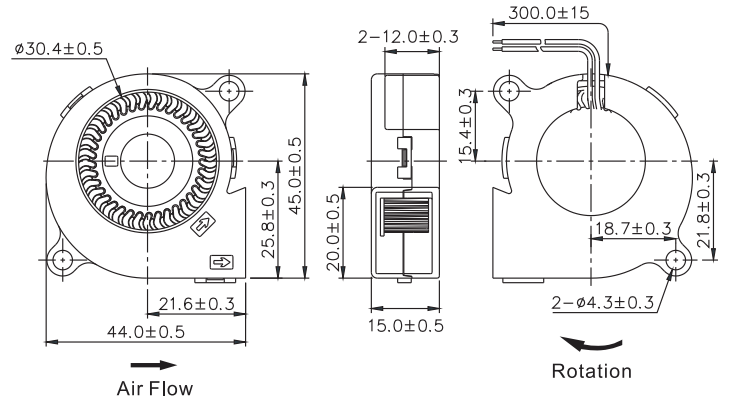
Listed Model	Bearing System	Rated Voltage	Operation Voltage	Rated Current	Rated Speed	Air Flow	Air Pressure	Noise Level	Available Features (Optional)				Weight g
		VDC	VDC	A	RPM	CFM	mmH <sub>2</sub> O	dBA	Tachometer Output	Rotation Detector	Thermal Control	Pulse Width Modulation	
RBH5010S	Sleeve	12	6.0~13.8	0.25	6,000	4.4	22.3	38	•	•		•	20.5
RBM5010S			6.0~13.8	0.17	5,000	3.6	13.9	32	•	•		•	
RBL5010S			8.0~13.8	0.10	4,000	2.8	7.9	26	•	•		•	
RBH5010B	Ball		6.0~13.8	0.25	6,000	4.4	22.3	38	•	•		•	
RBM5010B			6.0~13.8	0.17	5,000	3.6	13.9	32	•	•		•	
RBL5010B			8.0~13.8	0.10	4,000	2.8	7.9	26	•	•		•	

● All readings are typical values at rated voltage.  
● Specifications are subjected to change without prior notice.

**45 x 45 x 15 mm**

**B Series**

**Dimensions Drawing**

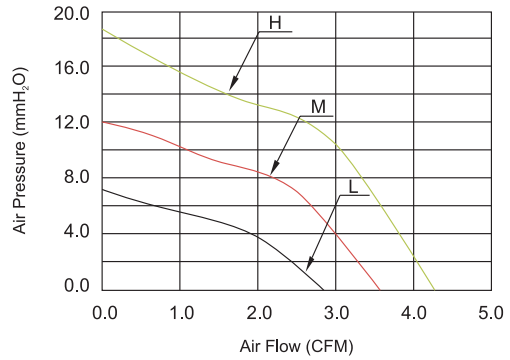


Unit: mm

**General Specification**

- Frame and Impeller : Thermal Plastic , UL 94V-0
- Lead Wires : UL Type  
(+) : Red (-) : Black
- Operation Temperature : -10°C~70°C  
35%~85%RH
- Storage Temperature : -40°C~80°C  
35%~85%RH
- 

**Performance Curves**



Listed Model	Bearing System	Rated Voltage	Operation Voltage	Rated Current	Rated Speed	Air Flow	Air Pressure	Noise Level	Available Features (Optional)				Weight
		VDC	VDC	A	RPM	CFM	mmH <sub>2</sub> O	dBA	Tachometer Output	Rotation Detector	Thermal Control	Pulse Width Modulation	g
RBH4515S	Sleeve	12	6.0~13.8	0.18	6,500	4.2	18.7	39	•	•		•	20
RBM4515S			6.0~13.8	0.12	5,500	3.5	12.2	34	•	•		•	
RBL4515S			8.0~13.8	0.08	4,500	2.8	7.2	30	•	•		•	
RBH4515B	Ball		6.0~13.8	0.18	6,500	4.2	18.7	39	•	•		•	
RBM4515B			6.0~13.8	0.12	5,500	3.5	12.2	34	•	•		•	
RBL4515B			8.0~13.8	0.08	4,500	2.8	7.2	30	•	•		•	

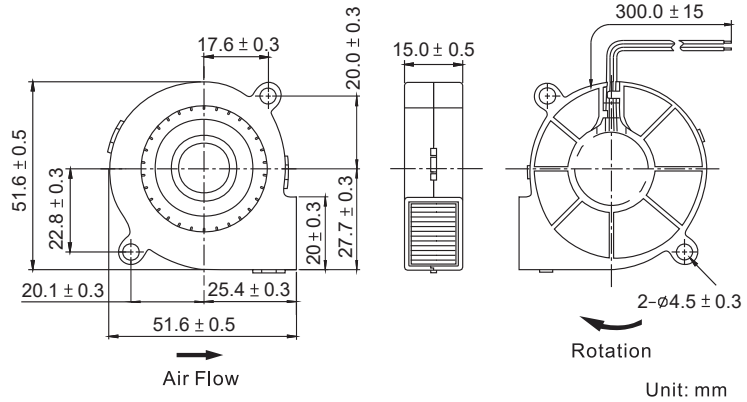
● All readings are typical values at rated voltage.  
● Specifications are subjected to change without prior notice.

**51 x 51 x 15 mm**

**B Series**



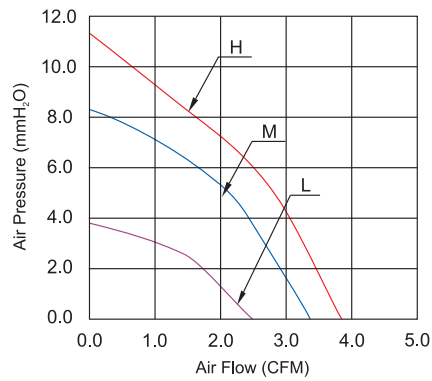
**Dimensions Drawing**



**General Specification**

- Frame and Impeller : Thermal Plastic , UL 94V-0
- Lead Wires : UL Type  
(+) : Red (-) : Black
- Operation Temperature : -10°C~70°C  
35%~85%RH
- Storage Temperature : -40°C~80°C  
35%~85%RH
- 

**Performance Curves**



Listed Model	Bearing System	Rated Voltage	Operation Voltage	Rated Current	Rated Speed	Air Flow	Air Pressure	Noise Level	Available Features (Optional)				Weight	
		VDC	VDC	A	RPM	CFM	mmH <sub>2</sub> O	dBA	Tachometer Output	Rotation Detector	Thermal Control	Pulse Width Modulation	g	
RBH5015S5	Sleeve	5	3.5~5.75	0.33	4,500	3.8	11.3	37	•	•			26	
RBM5015S5			3.5~5.75	0.22	4,000	3.4	7.4	35	•	•				
RBL5015S5			3.5~5.75	0.13	3,000	2.4	3.5	26	•	•				
RBH5015B5			Ball	3.5~5.75	0.33	4,500	3.8	11.3	37	•	•			
RBM5015B5				3.5~5.75	0.22	4,000	3.4	7.4	35	•	•			
RBL5015B5				3.5~5.75	0.13	3,000	2.4	3.5	26	•	•			
RBH5015S	Sleeve	12	6.0~13.8	0.14	5,000	4.4	11.5	41	•	•				
RBM5015S			6.0~13.8	0.09	4,000	3.4	7.4	35	•	•				
RBL5015S			8.0~13.8	0.05	3,000	2.4	3.5	26	•	•				
RBH5015B			Ball	6.0~13.8	0.14	5,000	4.4	11.5	41	•	•			
RBM5015B				6.0~13.8	0.09	4,000	3.4	7.4	35	•	•			
RBL5015B				8.0~13.8	0.05	3,000	2.4	3.5	26	•	•			
RBH5015S2	Sleeve	24	12.0~27.6	0.12	5,000	4.4	11.5	41	•	•				
RBM5015S2			12.0~27.6	0.08	4,000	3.4	7.4	35	•	•				
RBL5015S2			12.0~27.6	0.05	3,500	2.9	7.3	30	•	•				
RBH5015B2			Ball	12.0~27.6	0.12	5,000	4.4	11.5	41	•	•			
RBM5015B2				12.0~27.6	0.08	4,000	3.4	7.4	35	•	•			
RBL5015B2				12.0~27.6	0.05	3,500	2.9	7.3	30	•	•			

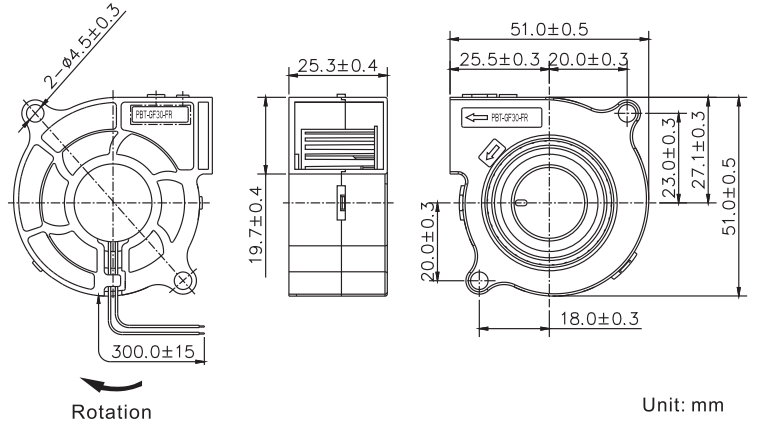
● All readings are typical values at rated voltage.  
● Specifications are subjected to change without prior notice.

**51 x 51 x 25 mm**

**B Series**



**Dimensions Drawing**

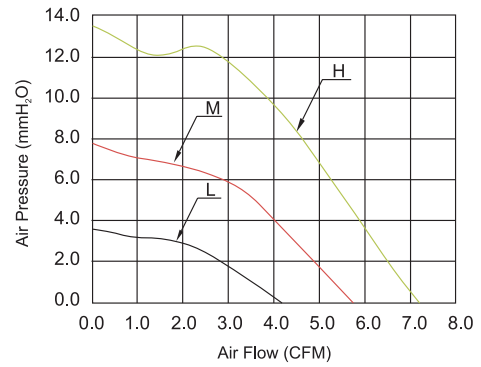


Unit: mm

**General Specification**

- Frame and Impeller : Thermal Plastic , UL 94V-0
- Lead Wires : UL Type  
(+) : Red (-) : Black
- Operation Temperature : -10°C~70°C  
35%~85%RH
- Storage Temperature : -40°C~80°C  
35%~85%RH
- 

**Performance Curves**



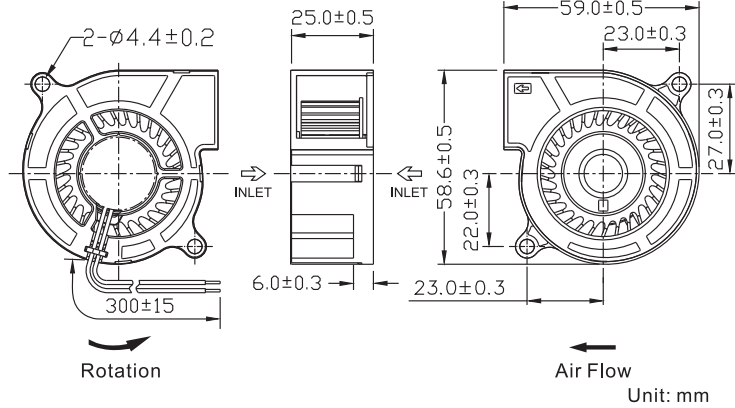
Listed Model	Bearing System	Rated Voltage	Operation Voltage	Rated Current	Rated Speed	Air Flow	Air Pressure	Noise Level	Available Features (Optional)				Weight
		VDC	VDC	A	RPM	CFM	mmH <sub>2</sub> O	dBA	Tachometer Output	Rotation Detector	Thermal Control	Pulse Width Modulation	g
RBH5125S1	Sleeve	12	6.0~13.8	0.29	5,000	7.2	13.5	41.5	•	•			38
RBM5125S1			6.0~13.8	0.18	4,000	5.7	7.7	35.6	•	•			
RBL5125S1			6.0~13.8	0.10	3,000	4.1	3.5	27.2	•	•			
RBH5125B1	Ball		6.0~13.8	0.29	5,000	7.2	13.5	41.5	•	•			
RBM5125B1			6.0~13.8	0.18	4,000	5.7	7.7	35.6	•	•			
RBL5125B1			6.0~13.8	0.10	3,000	4.1	3.5	27.2	•	•			
RBH5125S2	Sleeve	24	12.0~27.6	0.16	5,000	7.2	13.5	41.5	•	•			
RBM5125S2			12.0~27.6	0.10	4,000	5.7	7.7	35.6	•	•			
RBL5125S2			12.0~27.6	0.06	3,000	4.1	3.5	27.2	•	•			
RBH5125B2	Ball		12.0~27.6	0.16	5,000	7.2	13.5	41.5	•	•			
RBM5125B2			12.0~27.6	0.10	4,000	5.7	7.7	35.6	•	•			
RBL5125B2			12.0~27.6	0.06	3,000	4.1	3.5	27.2	•	•			

● All readings are typical values at rated voltage.  
● Specifications are subjected to change without prior notice.

**60 x 60 x 25 mm**

**B Series**

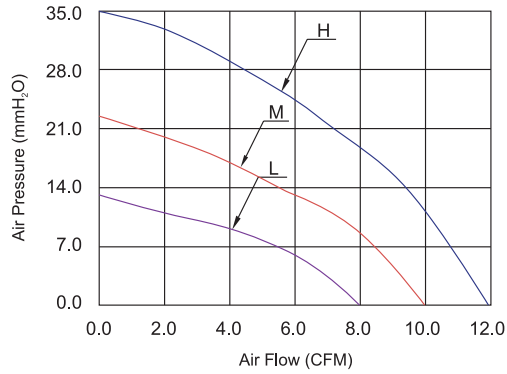
**Dimensions Drawing**



**General Specification**

- Frame and Impeller : Thermal Plastic , UL 94V-0
- Lead Wires : UL Type  
(+) : Red (-) : Black
- Operation Temperature : -10°C~70°C  
35%~85%RH
- Storage Temperature : -40°C~80°C  
35%~85%RH

**Performance Curves**



Listed Model	Bearing System	Rated Voltage	Operation Voltage	Rated Current	Rated Speed	Air Flow	Air Pressure	Noise Level	Available Features (Optional)				Weight g
		VDC	VDC	A	RPM	CFM	mmH <sub>2</sub> O	dBA	Tachometer Output	Rotation Detector	Thermal Control	Pulse Width Modulation	
RBH6025S1	Sleeve	12	6.0~13.8	0.55	6,200	11.9	34.8	48	•	•			48
RBM6025S1			6.0~13.8	0.28	5,200	10.0	23.4	42	•	•			
RBL6025S1			6.0~13.8	0.15	4,200	7.9	12.9	36	•	•			

● All readings are typical values at rated voltage.  
● Specifications are subjected to change without prior notice.

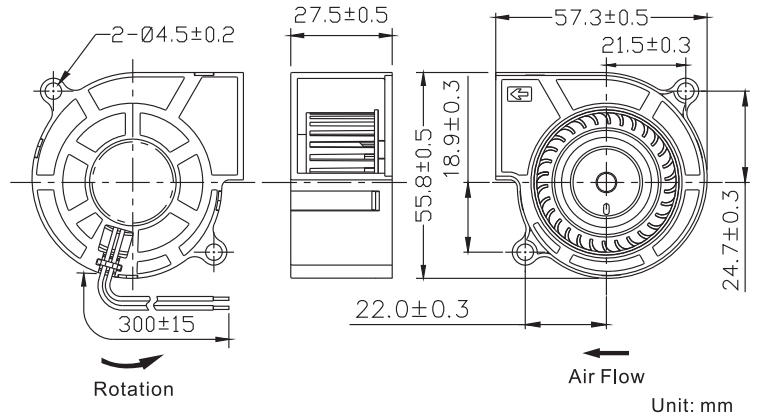


**60 x 60 x 28 mm**

**B Series**



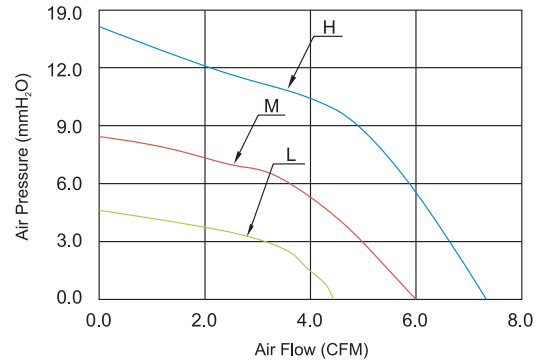
**Dimensions Drawing**



**General Specification**

- Frame and Impeller : Thermal Plastic , UL 94V-0
- Lead Wires : UL Type  
(+) : Red (-) : Black
- Operation Temperature : -10°C~70°C  
35%~85%RH
- Storage Temperature : -40°C~80°C  
35%~85%RH

**Performance Curves**



Listed Model	Bearing System	Rated Voltage	Operation Voltage	Rated Current	Rated Speed	Air Flow	Air Pressure	Noise Level	Available Features (Optional)				Weight g
		VDC	VDC	A	RPM	CFM	mmH <sub>2</sub> O	dBA	Tachometer Output	Rotation Detector	Thermal Control	Pulse Width Modulation	
RBH6028S1	Sleeve	12	6.0~13.8	0.25	5,500	7.4	14.2	42	•	•			48
RBM6028S1			6.0~13.8	0.18	4,500	6.0	8.4	36	•	•			
RBL6028S1			6.0~13.8	0.12	3,500	4.6	4.4	30	•	•			
RBH6028B1	Ball		6.0~13.8	0.25	5,500	7.4	14.2	42	•	•			
RBM6028B1			6.0~13.8	0.18	4,500	6.0	8.4	36	•	•			
RBL6028B1			6.0~13.8	0.12	3,500	4.6	4.4	30	•	•			

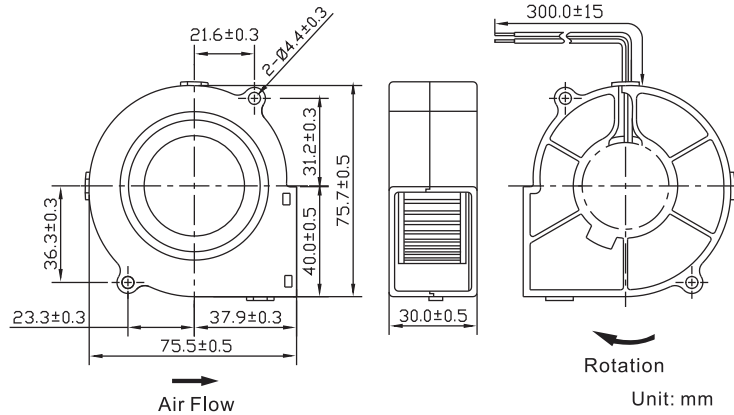
● All readings are typical values at rated voltage.  
● Specifications are subjected to change without prior notice.

**75 x 75 x 30 mm**

**B Series**



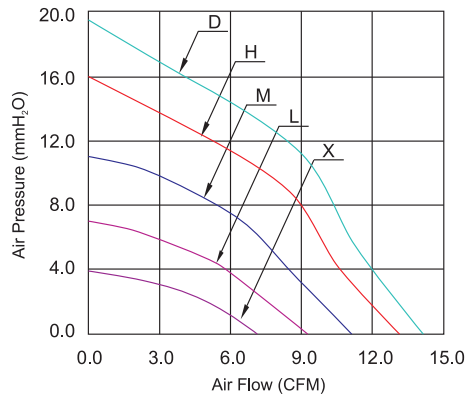
**Dimensions Drawing**



**General Specification**

- Frame and Impeller : Thermal Plastic , UL 94V-0
- Lead Wires : UL Type  
(+) : Red (-) : Black
- Operation Temperature : -10°C~70°C  
35%~85%RH
- Storage Temperature : -40°C~80°C  
35%~85%RH
- 

**Performance Curves**



Listed Model	Bearing System	Rated Voltage	Operation Voltage	Rated Current	Rated Speed	Air Flow	Air Pressure	Noise Level	Available Features (Optional)				Weight	
		VDC	VDC	A	RPM	CFM	mmH <sub>2</sub> O	dBA	Tachometer Output	Rotation Detector	Thermal Control	Pulse Width Modulation	g	
RBD7530S1	Sleeve	12	6.0~13.8	0.50	3,800	14.1	19.4	45	•	•			87	
RBH7530S1			6.0~13.8	0.45	3,500	13.1	15.9	43	•	•				
RBM7530S1			6.0~13.8	0.27	3,000	11.1	11.0	38	•	•				
RBL7530S1			6.0~13.8	0.18	2,500	9.3	7.0	33	•	•				
RBX7530S1			6.0~13.8	0.13	2,000	7.2	3.9	26	•	•				
RBD7530B1			Ball	6.0~13.8	0.50	3,800	14.1	19.4	45	•	•			
RBH7530B1	6.0~13.8			0.45	3,500	13.1	15.9	43	•	•				
RBM7530B1	6.0~13.8			0.27	3,000	11.1	11.0	38	•	•				
RBL7530B1	6.0~13.8			0.18	2,500	9.3	7.0	33	•	•				
RBX7530B1	6.0~13.8			0.13	2,000	7.2	3.9	26	•	•				
RBD7530S2	Sleeve			24	12.0~27.6	0.30	3,800	14.1	19.4	45	•	•		
RBH7530S2			12.0~27.6		0.24	3,500	13.1	15.9	43	•	•			
RBM7530S2		12.0~27.6	0.18		3,000	11.1	11.0	38	•	•				
RBL7530S2		12.0~27.6	0.12		2,500	9.3	7.0	33	•	•				
RBX7530S2		12.0~27.6	0.09		2,000	7.2	3.9	26	•	•				
RBD7530B2		Ball	12.0~27.6		0.30	3,800	14.1	19.4	45	•	•			
RBH7530B2	12.0~27.6		0.24		3,500	13.1	15.9	43	•	•				
RBM7530B2	12.0~27.6		0.18		3,000	11.1	11.0	38	•	•				
RBL7530B2	12.0~27.6		0.12		2,500	9.3	7.0	33	•	•				
RBX7530B2	12.0~27.6		0.09		2,000	7.2	3.9	26	•	•				

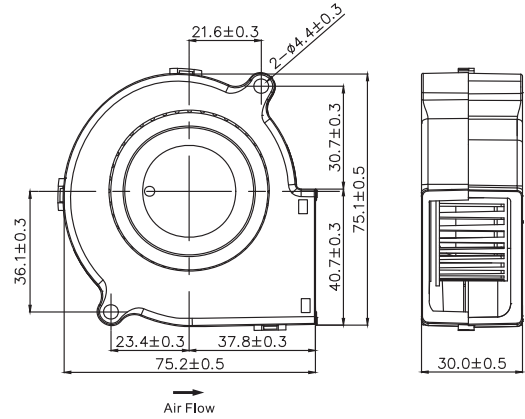
● All readings are typical values at rated voltage.  
● Specifications are subjected to change without prior notice.

**75 x 75 x 30 mm**

**B Series**



**Dimensions Drawing**



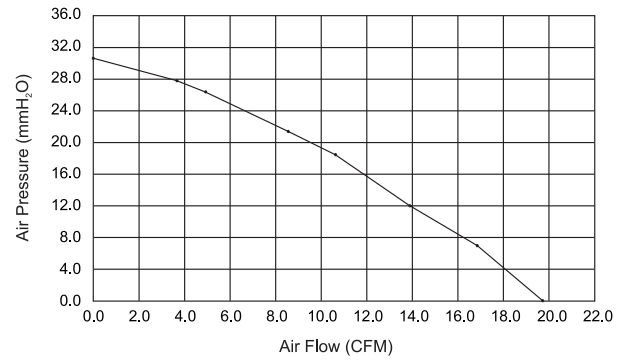
Unit: mm

**General Specification**

- Frame and Impeller : Thermal Plastic , UL 94V-0
- Lead Wires : UL Type  
(+) : Red (-) : Black
- Operation Temperature : -10°C~70°C  
35%~85%RH
- Storage Temperature : -40°C~80°C  
35%~85%RH



**Performance Curves**



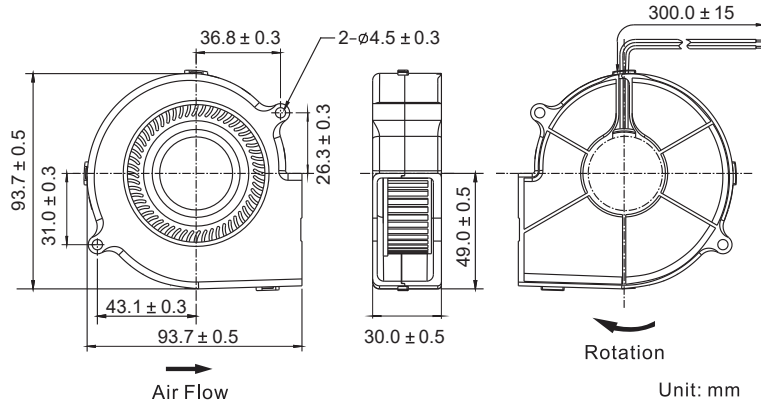
Listed Model	Bearing System	Rated Voltage	Operation Voltage	Rated Current	Rated Speed	Air Flow	Air Pressure	Noise Level	Available Features (Optional)				Weight
		VDC	VDC	A	RPM	CFM	mmH <sub>2</sub> O	dBA	Tachometer Output	Rotation Detector	Thermal Control	Pulse Width Modulation	g
RB7530B1	Ball	12	6.0~13.8	0.77	5,000	19.73	30.65	56.9	•	•			103.6

● All readings are typical values at rated voltage.  
● Specifications are subjected to change without prior notice.

**93 x 93 x 30 mm**

**B Series**

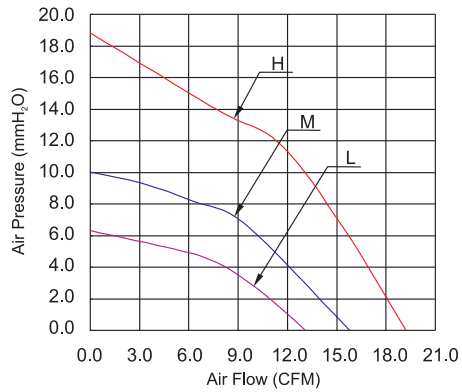
**Dimensions Drawing**



**General Specification**

- Frame and Impeller : Thermal Plastic , UL 94V-0
- Lead Wires : UL Type  
(+) : Red (-) : Black
- Operation Temperature : -10°C~70°C  
35%~85%RH
- Storage Temperature : -40°C~80°C  
35%~85%RH
- 

**Performance Curves**



Listed Model	Bearing System	Rated Voltage	Operation Voltage	Rated Current	Rated Speed	Air Flow	Air Pressure	Noise Level	Available Features (Optional)				Weight
		VDC	VDC	A	RPM	CFM	mmH <sub>2</sub> O	dBA	Tachometer Output	Rotation Detector	Thermal Control	Pulse Width Modulation	g
RBH9330S1	Sleeve	12	6.0~13.8	0.45	3,000	19.2	18.8	45	•	•		•	155
RBM9330S1			6.0~13.8	0.30	2,500	15.8	10.0	42	•	•		•	
RBL9330S1			6.0~13.8	0.20	2,100	13.0	6.3	38	•	•		•	
RBH9330B1	Ball		6.0~13.8	0.45	3,000	19.2	18.8	45	•	•		•	
RBM9330B1			6.0~13.8	0.30	2,500	15.8	10.0	42	•	•		•	
RBL9330B1			6.0~13.8	0.20	2,100	13.0	6.3	38	•	•		•	
RBH9330S2	Sleeve	24	12.0~27.6	0.35	3,000	19.2	18.8	45	•	•		•	
RBM9330S2			12.0~27.6	0.15	2,500	15.8	10.0	42	•	•		•	
RBL9330S2			12.0~27.6	0.10	2,100	13.0	6.3	38	•	•		•	
RBH9330B2	Ball		12.0~27.6	0.35	3,000	19.2	18.8	45	•	•		•	
RBM9330B2			12.0~27.6	0.15	2,500	15.8	10.0	42	•	•		•	
RBL9330B2			12.0~27.6	0.10	2,100	13.0	6.3	38	•	•		•	

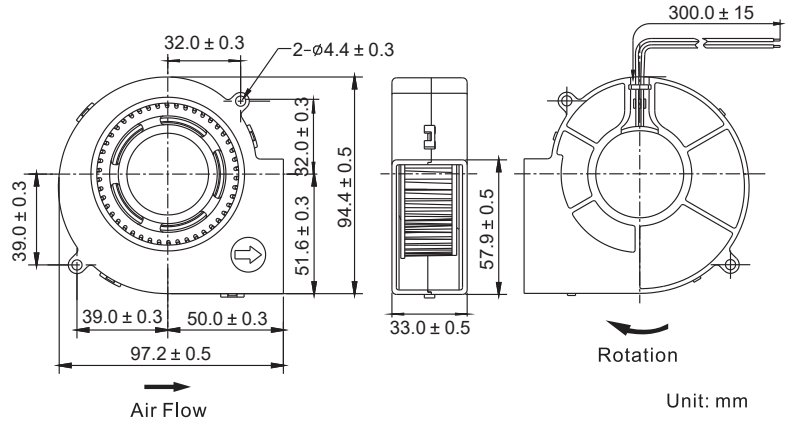
● All readings are typical values at rated voltage.  
● Specifications are subjected to change without prior notice.

**97 x 94 x 33 mm**

**B Series**



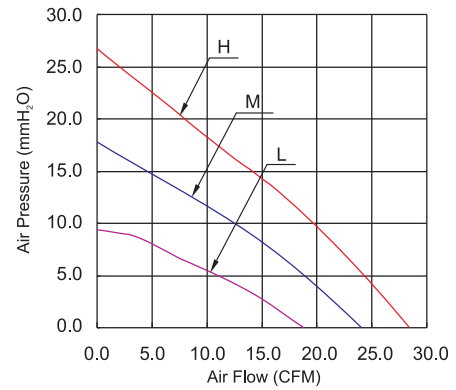
**Dimensions Drawing**



**General Specification**

- Frame and Impeller : Thermal Plastic , UL 94V-0
- Lead Wires : UL Type  
(+) : Red (-) : Black
- Operation Temperature : -10°C~70°C  
35%~85%RH
- Storage Temperature : -40°C~80°C  
35%~85%RH
- 

**Performance Curves**



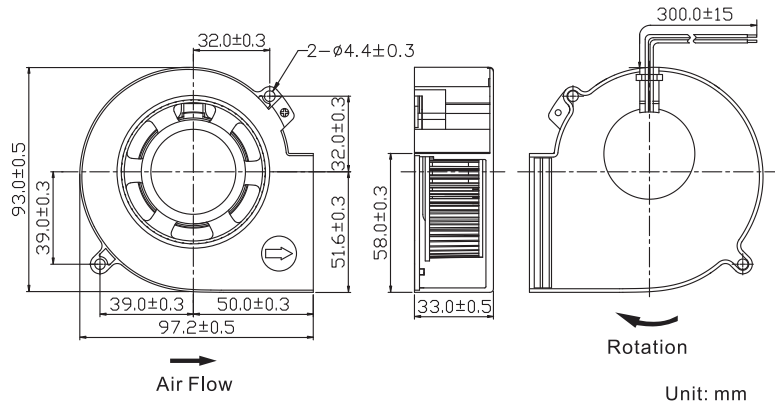
Listed Model	Bearing System	Rated Voltage	Operation Voltage	Rated Current	Rated Speed	Air Flow	Air Pressure	Noise Level	Available Features (Optional)				Weight
		VDC	VDC	A	RPM	CFM	mmH <sub>2</sub> O	dBA	Tachometer Output	Rotation Detector	Thermal Control	Pulse Width Modulation	g
RBH9733S	Sleeve	12	6.0~13.8	0.80	3,300	28.5	26.8	55	•	•	•	•	180
RBM9733S			6.0~13.8	0.50	2,800	24.0	17.8	51	•	•	•	•	
RBL9733S			6.0~13.8	0.30	2,200	18.8	9.4	45	•	•	•	•	
RBH9733B	Ball		6.0~13.8	0.80	3,300	28.5	26.8	55	•	•	•	•	
RBM9733B			6.0~13.8	0.50	2,800	24.0	17.8	51	•	•	•	•	
RBL9733B			6.0~13.8	0.30	2,200	18.8	9.4	45	•	•	•	•	
RBH9733S2	Sleeve	24	12.0~27.6	0.55	3,300	28.5	26.8	55	•	•			
RBM9733S2			12.0~27.6	0.35	2,800	24.0	17.8	51	•	•			
RBL9733S2			12.0~27.6	0.20	2,200	18.8	9.4	45	•	•			
RBH9733B2	Ball		12.0~27.6	0.55	3,300	28.5	26.8	55	•	•			
RBM9733B2			12.0~27.6	0.35	2,800	24.0	17.8	51	•	•			
RBL9733B2			12.0~27.6	0.20	2,200	18.8	9.4	45	•	•			
RBH9733S4	Sleeve	48	24.0~55.2	0.30	3,300	28.5	26.8	55	•	•			
RBM9733S4			24.0~55.2	0.20	2,800	24.0	17.8	51	•	•			
RBL9733S4			24.0~55.2	0.15	2,200	18.8	9.4	45	•	•			
RBH9733B4	Ball		24.0~55.2	0.30	3,300	28.5	26.8	55	•	•			
RBM9733B4			24.0~55.2	0.20	2,800	24.0	17.8	51	•	•			
RBL9733B4			24.0~55.2	0.15	2,200	18.8	9.4	45	•	•			

● All readings are typical values at rated voltage.  
● Specifications are subjected to change without prior notice.

**97 x 94 x 33 mm**

**B Series**

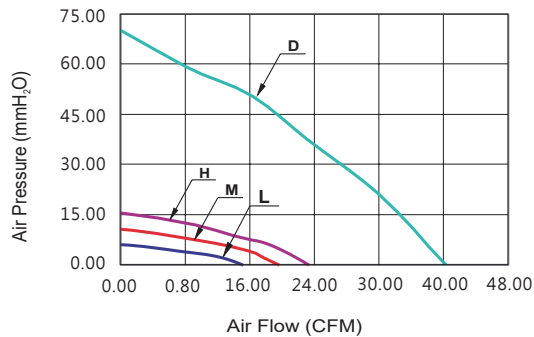
**Dimensions Drawing**



**General Specification**

- Frame and Impeller : Thermal Plastic , UL 94V-0
- Lead Wires : UL Type  
(+) : Red (-) : Black
- Operation Temperature : -10°C~70°C  
35%~85%RH
- Storage Temperature : -40°C~80°C  
35%~85%RH
- 

**Performance Curves**

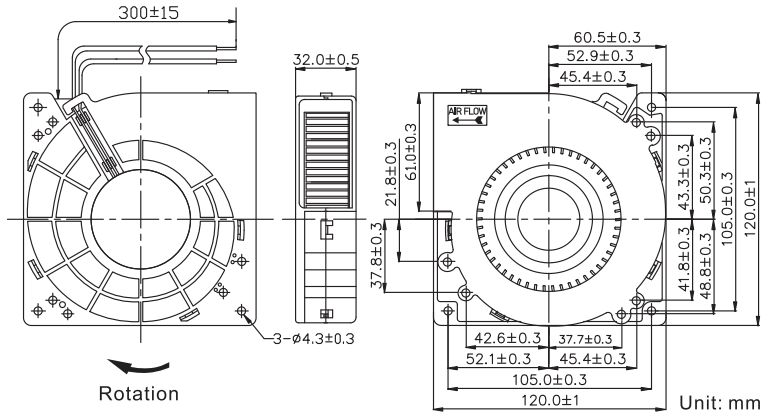


Listed Model	Bearing System	Rated Voltage	Operation Voltage	Rated Current	Rated Speed	Air Flow	Air Pressure	Noise Level	Available Features (Optional)				Weight
		VDC	VDC	A	RPM	CFM	mmH <sub>2</sub> O	dBA	Tachometer Output	Rotation Detector	Thermal Control	Pulse Width Modulation	g
RBD9733S	Sleeve	12	6.0~13.8	3.00	5,800	40.3	70.2	65	•	•	•	•	200
RBH9733S			6.0~13.8	0.80	3,300	23.3	15.7	51	•	•	•	•	
RBM9733S			6.0~13.8	0.50	2,800	19.6	10.8	48	•	•	•	•	
RBL9733S	6.0~13.8		0.30	2,200	15.1	6.2	41	•	•	•	•		
RBD9733B	Ball		6.0~13.8	3.00	5,800	40.3	70.2	65	•	•	•	•	
RBH9733B			6.0~13.8	0.80	3,300	23.3	15.7	51	•	•	•	•	
RBM9733B		6.0~13.8	0.50	2,800	19.6	10.8	48	•	•	•	•		
RBL9733B	6.0~13.8	0.30	2,200	15.1	6.2	41	•	•	•	•			
RBD9733S2	Sleeve	24	12.0~27.6	1.50	5,800	40.3	70.2	65	•	•			
RBH9733S2			12.0~27.6	0.55	3,300	23.3	15.7	51	•	•			
RBM9733S2			12.0~27.6	0.35	2,800	19.6	10.8	48	•	•			
RBL9733S2	12.0~27.6		0.20	2,200	15.1	6.2	41	•	•				
RBD9733B2	Ball		12.0~27.6	1.50	5,800	40.3	70.2	65	•	•			
RBH9733B2			12.0~27.6	0.55	3,300	23.3	15.7	51	•	•			
RBM9733B2		12.0~27.6	0.35	2,800	19.6	10.8	48	•	•				
RBL9733B2	12.0~27.6	0.20	2,200	15.1	6.2	41	•	•					
RBD9733S4	Sleeve	48	24.0~55.2	0.80	5,800	40.3	70.2	65	•	•			
RBH9733S4			24.0~55.2	0.30	3,300	23.3	15.7	51	•	•			
RBM9733S4			24.0~55.2	0.20	2,800	19.6	10.8	48	•	•			
RBL9733S4	24.0~55.2		0.15	2,200	15.1	6.2	41	•	•				
RBD9733B4	Ball		24.0~55.2	0.80	5,800	40.3	70.2	65	•	•			
RBH9733B4			24.0~55.2	0.30	3,300	23.3	15.7	51	•	•			
RBM9733B4		24.0~55.2	0.20	2,800	19.6	10.8	48	•	•				
RBL9733B4	24.0~55.2	0.15	2,200	15.1	6.2	41	•	•					

● All readings are typical values at rated voltage.  
● Specifications are subjected to change without prior notice.

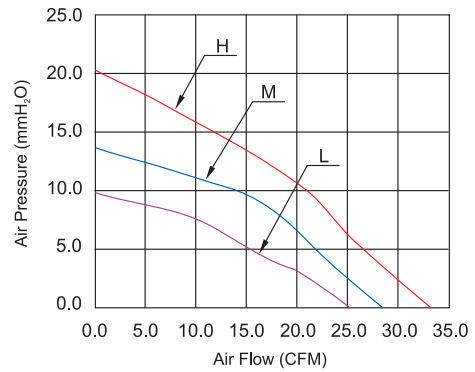


**Dimensions Drawing**



- **General Specification**
- Frame and Impeller : Thermal Plastic , UL 94V-0
- Lead Wires : UL Type  
(+) : Red (-) : Black
- Operation Temperature : -10°C~70°C  
35%~85%RH
- Storage Temperature : -40°C~80°C  
35%~85%RH
- 

**Performance Curves**



Listed Model	Bearing System	Rated Voltage	Operation Voltage	Rated Current	Rated Speed	Air Flow	Air Pressure	Noise Level	Available Features (Optional)				Weight g
		VDC	VDC	A	RPM	CFM	mmH <sub>2</sub> O	dBA	Tachometer Output	Rotation Detector	Thermal Control	Pulse Width Modulation	
RBH1232B	Ball	12	6.0~13.8	0.87	2,100	33.1	20.1	51	•	•			240
RBM1232B			6.0~13.8	0.60	1,800	28.2	13.3	47	•	•			
RBL1232B			6.0~13.8	0.49	1,600	25.0	9.6	45	•	•			
RBH1232B2		24	12.0~27.6	0.50	2,100	33.1	20.1	51	•	•			
RBM1232B2			12.0~27.6	0.35	1,800	28.2	13.3	47	•	•			
RBL1232B2			12.0~27.6	0.28	1,600	25.0	9.6	45	•	•			
RBH1232B4		48	24.0~55.2	0.30	2,100	33.1	20.1	51	•	•			
RBM1232B4			24.0~55.2	0.20	1,800	28.2	13.3	47	•	•			
RBL1232B4			24.0~55.2	0.15	1,600	25.0	9.6	45	•	•			

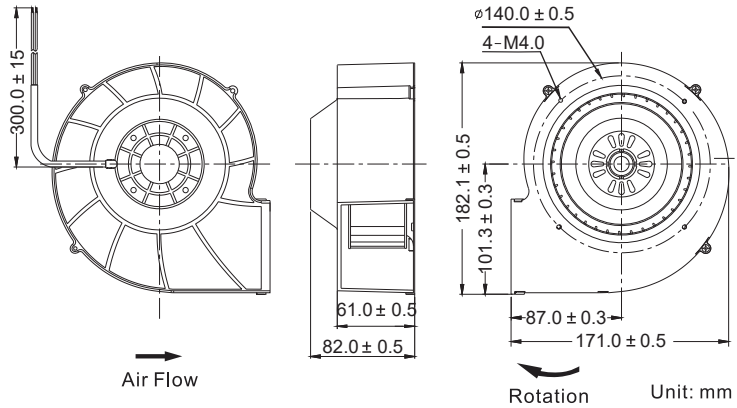
● All readings are typical values at rated voltage.  
● Specifications are subjected to change without prior notice.

**182x171x82 mm**

**B Series**



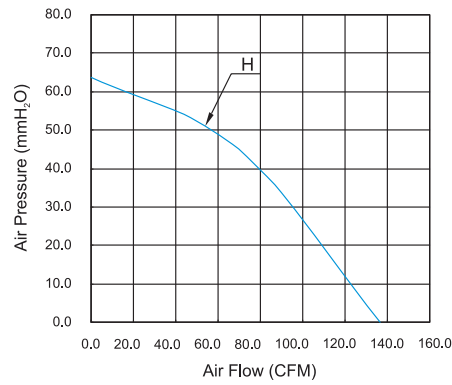
**Dimensions Drawing**



**General Specification**

- Frame and Impeller : Thermal Plastic , UL 94V-0
- Lead Wires : UL Type  
(+) : Red (-) : Black
- Operation Temperature : -10°C~70°C  
35%~85%RH
- Storage Temperature : -40°C~80°C  
35%~85%RH
- 

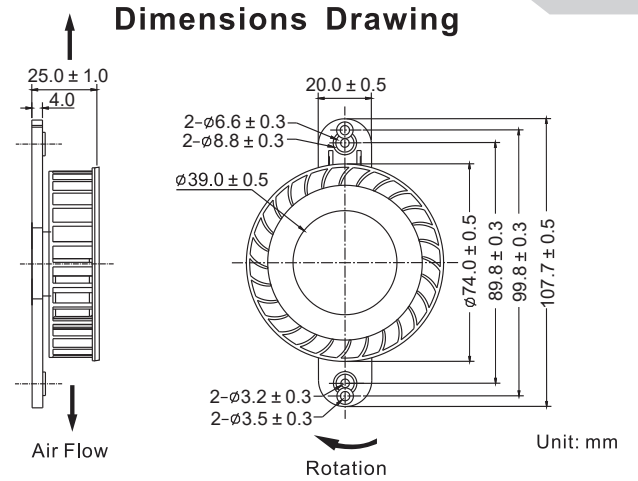
**Performance Curves**



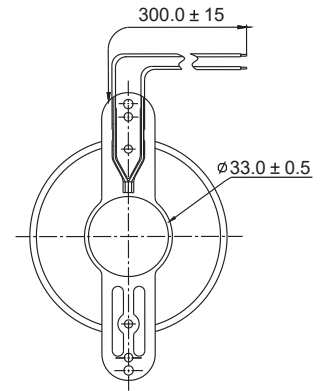
Listed Model	Bearing System	Rated Voltage	Operation Voltage	Rated Current	Rated Speed	Air Flow	Air Pressure	Noise Level	Available Features (Optional)				Weight
		VDC	VDC	A	RPM	CFM	mmH <sub>2</sub> O	dBA	Tachometer Output	Rotation Detector	Thermal Control	Pulse Width Modulation	g
RBH1881B2	Ball	24	12.0~27.6	2.2	2,000	136.8	63.8	63	•	•	•	•	926
RBH1881B4		48	24.0~55.2	1.1	2,000	136.8	63.8	63	•	•	•	•	

● All readings are typical values at rated voltage.  
● Specifications are subjected to change without prior notice.



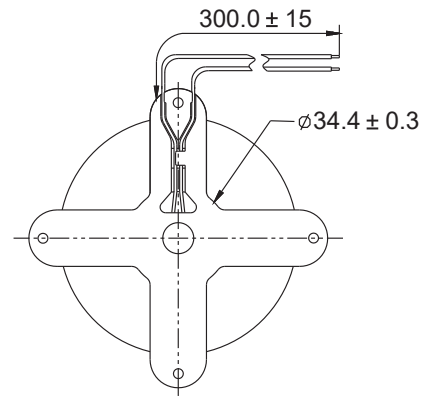
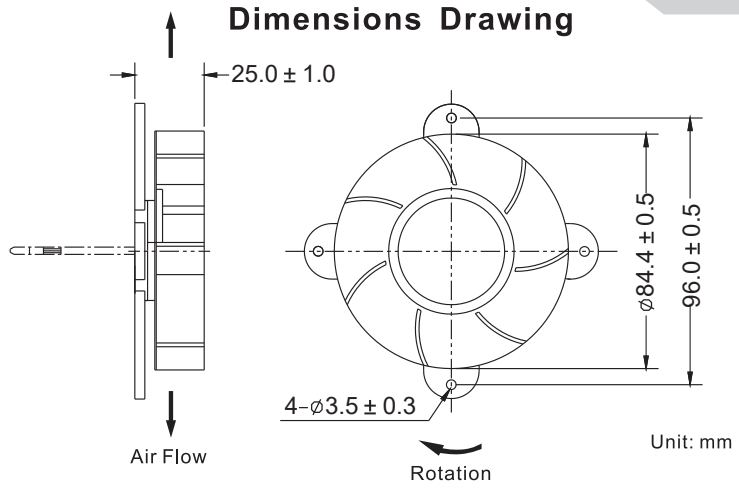


- **General Specification**
- Frame and Impeller : Thermal Plastic , UL 94V-0
- Lead Wires : UL Type  
(+) : Red (-) : Black
- Operation Temperature : -10°C~70°C  
35%~85%RH
- Storage Temperature : -40°C~80°C  
35%~85%RH
- 



Listed Model	Bearing System	Rated Voltage	Operation Voltage	Rated Current	Rated Speed	Air Flow	Air Pressure	Noise Level	Available Features (Optional)				Weight
		VDC	VDC	A	RPM	CFM	mmH <sub>2</sub> O	dBA	Tachometer Output	Rotation Detector	Thermal Control	Pulse Width Modulation	g
RDH9025SBGF	Sleeve	12	6.0~13.8	0.35	3,500	—	—	41	•	•			70
RDM9025SBGF			6.0~13.8	0.25	2,500	—	—	32	•	•			
RDL9025SBGF			6.0~13.8	0.20	2,100	—	—	27	•	•			

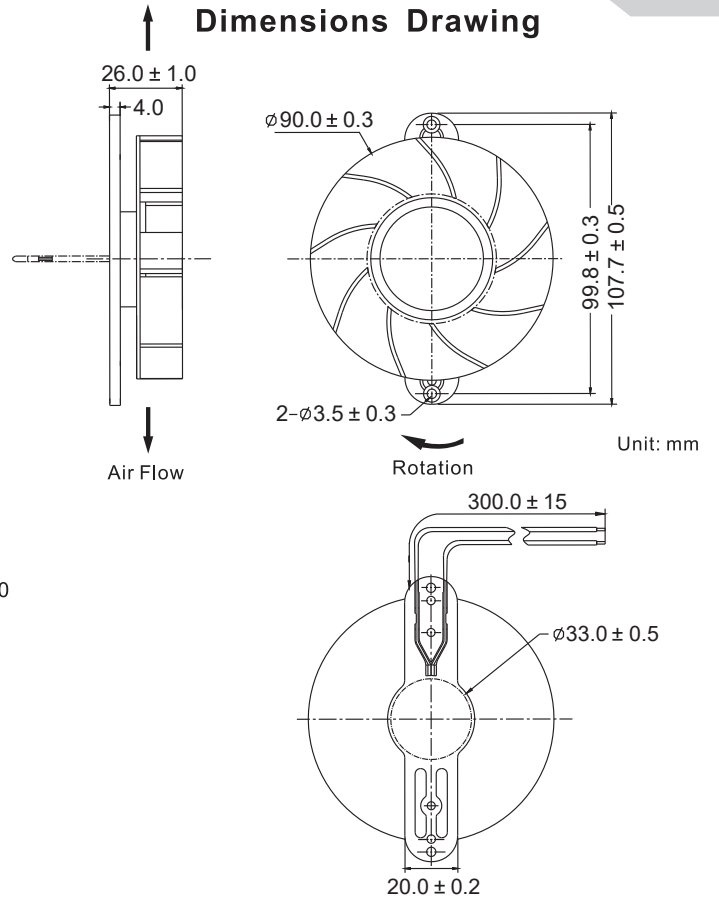
● All readings are typical values at rated voltage.  
● Specifications are subjected to change without prior notice.



- **General Specification**
- Frame and Impeller : Thermal Plastic , UL 94V-0
- Lead Wires : UL Type  
(+) : Red (-) : Black
- Operation Temperature : -10°C~70°C  
35%~85%RH
- Storage Temperature : -40°C~80°C  
35%~85%RH
- 

Listed Model	Bearing System	Rated Voltage	Operation Voltage	Rated Current	Rated Speed	Air Flow	Air Pressure	Noise Level	Available Features (Optional)				Weight
		VDC	VDC	A	RPM	CFM	mmH <sub>2</sub> O	dBA	Tachometer Output	Rotation Detector	Thermal Control	Pulse Width Modulation	g
RDH9025SBPT	Sleeve	12	6.0~13.8	0.35	2,500	—	—	35	•	•			75
RDM9025SBPT			6.0~13.8	0.25	2,100	—	—	30	•	•			
RDL9025SBPT			6.0~13.8	0.20	1,800	—	—	27	•	•			
RDH9025SAPT			6.0~13.8	0.35	2,500	—	—	35	•	•			
RDM9025SAPT			6.0~13.8	0.25	2,100	—	—	30	•	•			
RDL9025SAPT			6.0~13.8	0.20	1,800	—	—	27	•	•			

● All readings are typical values at rated voltage.  
● Specifications are subjected to change without prior notice.



- **General Specification**
- Frame and Impeller : Thermal Plastic , UL 94V-0
- Lead Wires : UL Type  
(+) : Red (-) : Black
- Operation Temperature :  $-10^{\circ}\text{C} \sim 70^{\circ}\text{C}$   
35%~85%RH
- Storage Temperature :  $-40^{\circ}\text{C} \sim 80^{\circ}\text{C}$   
35%~85%RH
- 

Listed Model	Bearing System	Rated Voltage	Operation Voltage	Rated Current	Rated Speed	Air Flow	Air Pressure	Noise Level	Available Features (Optional)				Weight
		VDC	VDC	A	RPM	CFM	mmH <sub>2</sub> O	dBA	Tachometer Output	Rotation Detector	Thermal Control	Pulse Width Modulation	g
RDH9025SAPF	Sleeve	12	6.0~13.8	0.35	2,500	—	—	38	•	•			82
RDM9025SAPF			6.0~13.8	0.25	2,100	—	—	31	•	•			
RDL9025SAPF			6.0~13.8	0.20	1,800	—	—	27	•	•			
RDH9025SBPF			6.0~13.8	0.35	2,500	—	—	38	•	•			
RDM9025SBPF			6.0~13.8	0.25	2,100	—	—	31	•	•			
RDL9025SBPF			6.0~13.8	0.20	1,800	—	—	27	•	•			

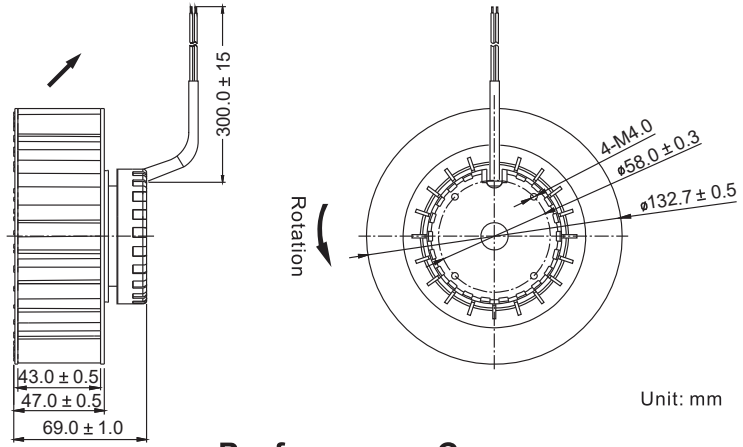
● All readings are typical values at rated voltage.  
 ● Specifications are subjected to change without prior notice.

Ø 133 x 69 mm

F Series



**Dimensions Drawing**

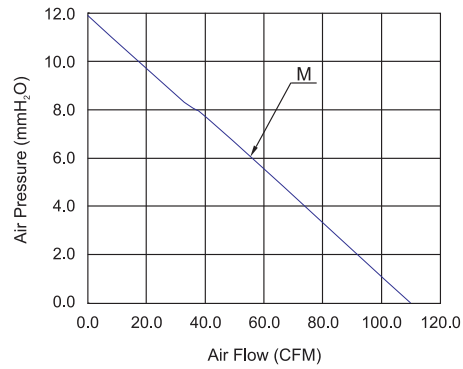


Unit: mm

**General Specification**

- Frame : Aluminum Alloy
- Impeller : PA6 UL 94V-0 Reinforced Plastic
- Lead Wires : UL Type  
(+) : Red (-) : Black
- Operation Temperature : -10°C~70°C  
35%~85%RH
- Storage Temperature : -40°C~80°C  
35%~85%RH

**Performance Curves**



Listed Model	Bearing System	Rated Voltage	Operation Voltage	Rated Current	Rated Speed	Air Flow	Air Pressure	Noise Level	Available Features (Optional)				Weight
		VDC	VDC	A	RPM	CFM	mmH <sub>2</sub> O	dBA	Tachometer Output	Rotation Detector	Thermal Control	Pulse Width Modulation	g
RFM13369B4	Ball	48	24.0~55.2	1.20	2,500	109.8	11.8	61	•	•	•	•	611

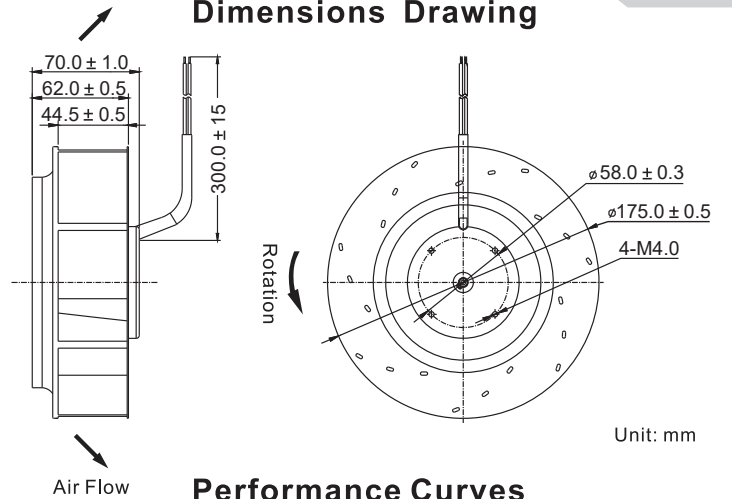
● All readings are typical values at rated voltage.  
● Specifications are subjected to change without prior notice.

**ø 175 x 70 mm**

**F Series**



**Dimensions Drawing**

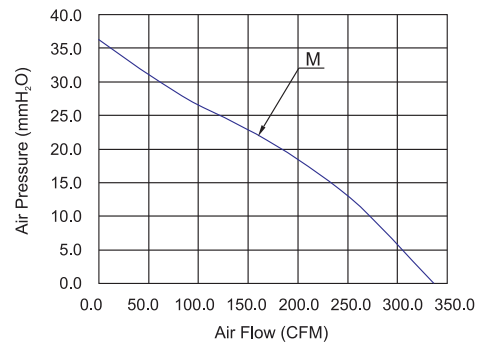


Unit: mm

**General Specification**

- Frame : Aluminum Alloy
- Impeller : PA6 UL 94V-0 Reinforced Plastic
- Lead Wires : UL Type  
(+) : Red (-) : Black
- Operation Temperature : -10°C~70°C  
35%~85%RH
- Storage Temperature : -40°C~80°C  
35%~85%RH

**Performance Curves**



Listed Model	Bearing System	Rated Voltage	Operation Voltage	Rated Current	Rated Speed	Air Flow	Air Pressure	Noise Level	Available Features (Optional)				Weight
		VDC	VDC	A	RPM	CFM	mmH <sub>2</sub> O	dBA	Tachometer Output	Rotation Detector	Thermal Control	Pulse Width Modulation	g
RFM17570B4	Ball	48	24.0~55.2	1.00	3,100	337.3	36.3	66	•	•	•	•	770

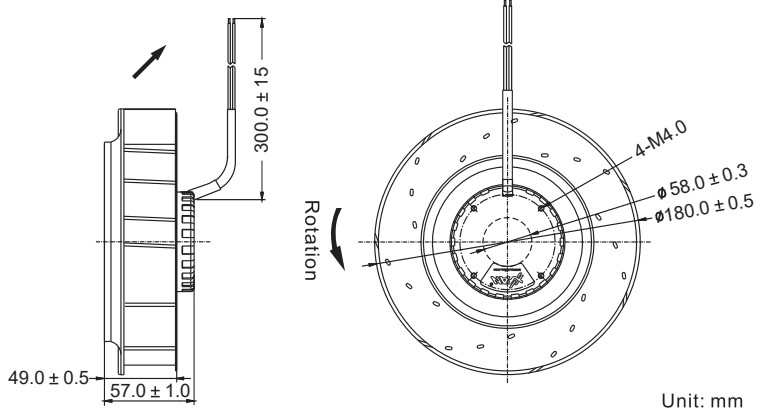
● All readings are typical values at rated voltage.  
● Specifications are subjected to change without prior notice.

Ø 180 x 56 mm

F Series



**Dimensions Drawing**

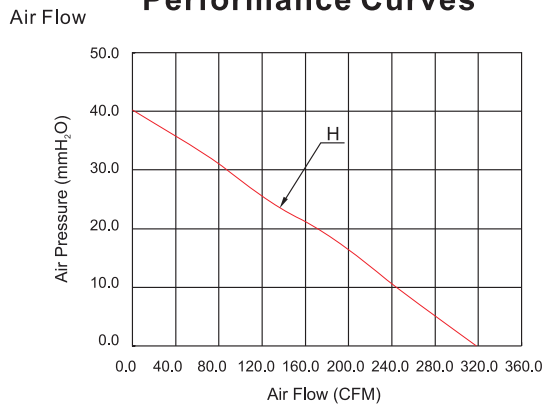


Unit: mm

**General Specification**

- Frame : Aluminum Alloy
- Impeller : PA6 UL 94V-0 Reinforced Plastic
- Lead Wires : UL Type  
(+) : Red (-) : Black
- Operation Temperature : -10°C~70°C  
35%~85%RH
- Storage Temperature : -40°C~80°C  
35%~85%RH

**Performance Curves**

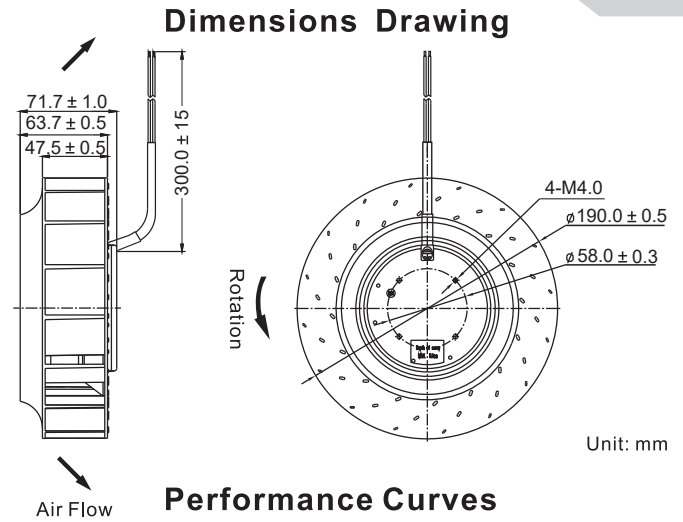


Listed Model	Bearing System	Rated Voltage	Operation Voltage	Rated Current	Rated Speed	Air Flow	Air Pressure	Noise Level	Available Features (Optional)				Weight
		VDC	VDC	A	RPM	CFM	mmH <sub>2</sub> O	dBA	Tachometer Output	Rotation Detector	Thermal Control	Pulse Width Modulation	g
RFH18056B4	Ball	48	24.0~55.2	1.00	3,200	318.0	40.0	68	•	•	•	•	800

● All readings are typical values at rated voltage.  
● Specifications are subjected to change without prior notice.

ø 190 x 72 mm

F Series



- **General Specification**
- Frame : Aluminum Alloy
- Impeller : PA6 UL 94V-0 Reinforced Plastic
- Lead Wires : UL Type  
(+) : Red (-) : Black
- Operation Temperature : -10°C~70°C  
35%~85%RH
- Storage Temperature : -40°C~80°C  
35%~85%RH

Listed Model	Bearing System	Rated Voltage	Operation Voltage	Rated Current	Rated Speed	Air Flow	Air Pressure	Noise Level	Available Features (Optional)				Weight
		VDC	VDC	A	RPM	CFM	mmH <sub>2</sub> O	dBA	Tachometer Output	Rotation Detector	Thermal Control	Pulse Width Modulation	g
RFH19072B2	Ball	24	15.0~27.6	5.00	3,200	366.7	59.3	70	•	•	•	•	1133
RFM19072B2			15.0~27.6	3.00	2,500	293.2	34.8	63	•	•	•	•	
RFL19072B2			15.0~27.6	2.00	2,000	232.3	23.3	57	•	•	•	•	
RFH19072B4	Ball	48	24.0~58.0	2.50	3,200	366.7	59.3	70	•	•	•	•	
RFM19072B4			24.0~58.0	1.50	2,500	293.2	34.8	63	•	•	•	•	
RFL19072B4			24.0~58.0	1.00	2,000	232.3	23.3	57	•	•	•	•	

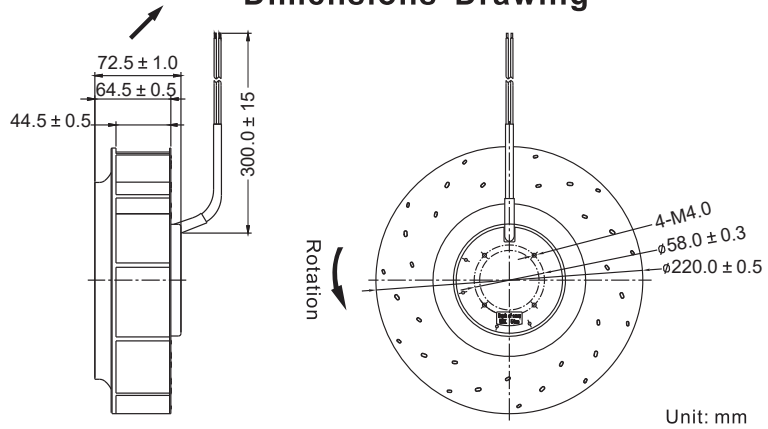
- All readings are typical values at rated voltage.
- Specifications are subjected to change without prior notice.

ø 220 x 72 mm

F Series



**Dimensions Drawing**

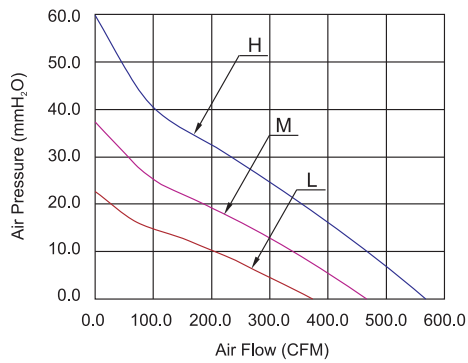


Unit: mm

**General Specification**

- Frame : Aluminum Alloy
- Impeller : PA6 UL 94V-0 Reinforced Plastic
- Lead Wires : UL Type  
(+) : Red (-) : Black
- Operation Temperature : -10°C~70°C  
35%~85%RH
- Storage Temperature : -40°C~80°C  
35%~85%RH

**Performance Curves**



Listed Model	Bearing System	Rated Voltage	Operation Voltage	Rated Current	Rated Speed	Air Flow	Air Pressure	Noise Level	Available Features (Optional)				Weight
		VDC	VDC	A	RPM	CFM	mmH <sub>2</sub> O	dBA	Tachometer Output	Rotation Detector	Thermal Control	Pulse Width Modulation	g
RFH22072B4	Ball	48	24.0~55.2	2.60	3,000	567.7	59.9	73	•	•	•	•	1165
RFM22072B4			24.0~55.2	1.30	2,400	466.6	37.4	67	•	•	•	•	
RFL22072B4			24.0~55.2	0.80	1,900	373.3	22.7	61	•	•	•	•	
RFH22072B2		24	12.0~27.6	5.40	3,000	567.7	59.9	73	•	•	•	•	
RFM22072B2			12.0~27.6	2.80	2,400	466.6	37.4	67	•	•	•	•	
RFL22072B2			12.0~27.6	1.80	1,900	373.3	22.7	61	•	•	•	•	

● All readings are typical values at rated voltage.  
● Specifications are subjected to change without prior notice.

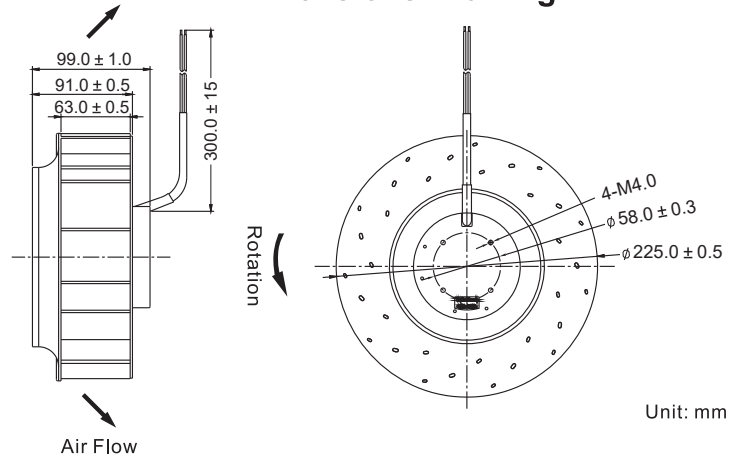


ø 225 x 99 mm

F Series



**Dimensions Drawing**

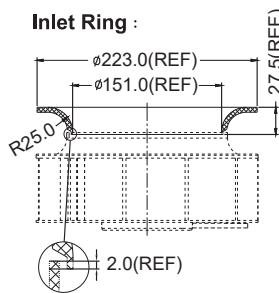


Unit: mm

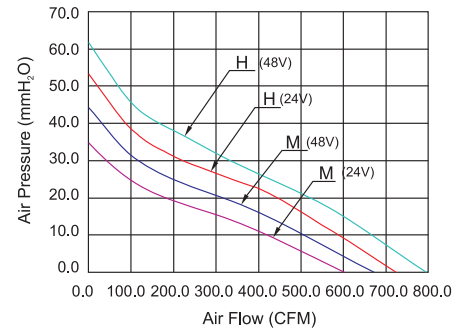
● **General Specification**

- Impeller : PA6 UL 94V-0 Reinforced Plastic
- Lead Wires : UL Type  
(+) : Red (-) : Black
- Operation Temperature : -10°C~70°C  
35%~85%RH
- Storage Temperature : -40°C~80°C  
35%~85%RH

**Mounting Panel Cutout**



**Performance Curves**



Listed Model	Bearing System	Rated Voltage	Operation Voltage	Rated Current	Rated Speed	Air Flow	Air Pressure	Noise Level	Available Features (Optional)				Weight g
		VDC	VDC	A	RPM	CFM	mmH <sub>2</sub> O	dBA	Tachometer Output	Rotation Detector	Thermal Control	Pulse Width Modulation	
RFH22599B2	Ball	24	15.0~27.6	4.00	2,500	724.2	53.4	70	•	•	•	•	1400
RFM22599B2			15.0~27.6	2.50	2,100	601.6	34.7	66	•	•	•	•	
RFH22599B4	Ball	48	28.0~58.0	2.50	2,700	795.5	62.0	72	•	•	•	•	
RFM22599B4			28.0~58.0	1.60	2,300	672.9	44.3	68	•	•	•	•	

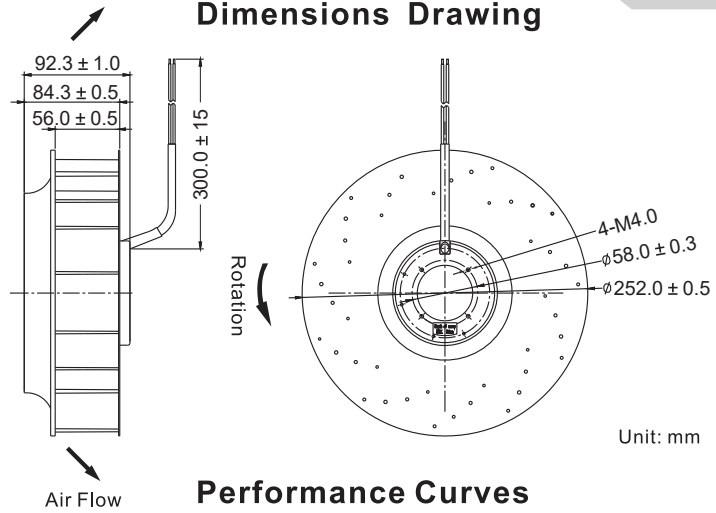
● All readings are typical values at rated voltage.  
● Specifications are subjected to change without prior notice.

ø 252 x 92 mm

F Series



**Dimensions Drawing**

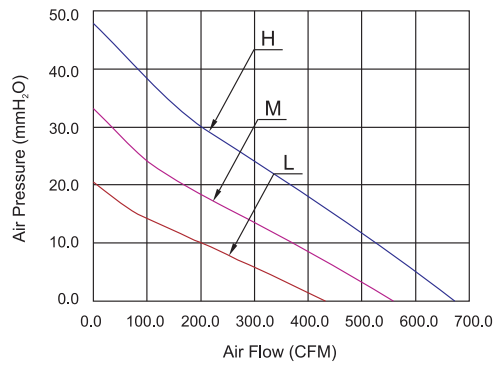


Unit: mm

**General Specification**

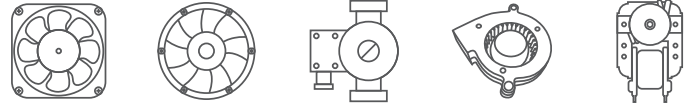
- Frame : Aluminum Alloy
- Impeller : PA6 UL 94V-0 Reinforced Plastic
- Lead Wires : UL Type  
(+) : Red (-) : Black
- Operation Temperature : -10°C~70°C  
35%~85%RH
- Storage Temperature : -40°C~80°C  
35%~85%RH

**Performance Curves**



Listed Model	Bearing System	Rated Voltage	Operation Voltage	Rated Current	Rated Speed	Air Flow	Air Pressure	Noise Level	Available Features (Optional)				Weight
		VDC	VDC	A	RPM	CFM	mmH <sub>2</sub> O	dBA	Tachometer Output	Rotation Detector	Thermal Control	Pulse Width Modulation	g
RFH25292B4	Ball	48	24.0~55.2	3.50	2,400	673.5	47.9	70	•	•	•	•	1525
RFM25292B4			24.0~55.2	1.50	1,900	558.8	33.2	64	•	•	•	•	
RFL25292B4			24.0~55.2	1.00	1,600	432.3	20.5	60	•	•	•	•	
RFM25292B2		24	12.0~27.6	3.00	1,900	558.8	33.2	64	•	•	•	•	
RFL25292B2			12.0~27.6	2.20	1,600	432.3	20.5	60	•	•	•	•	

● All readings are typical values at rated voltage.  
● Specifications are subjected to change without prior notice.

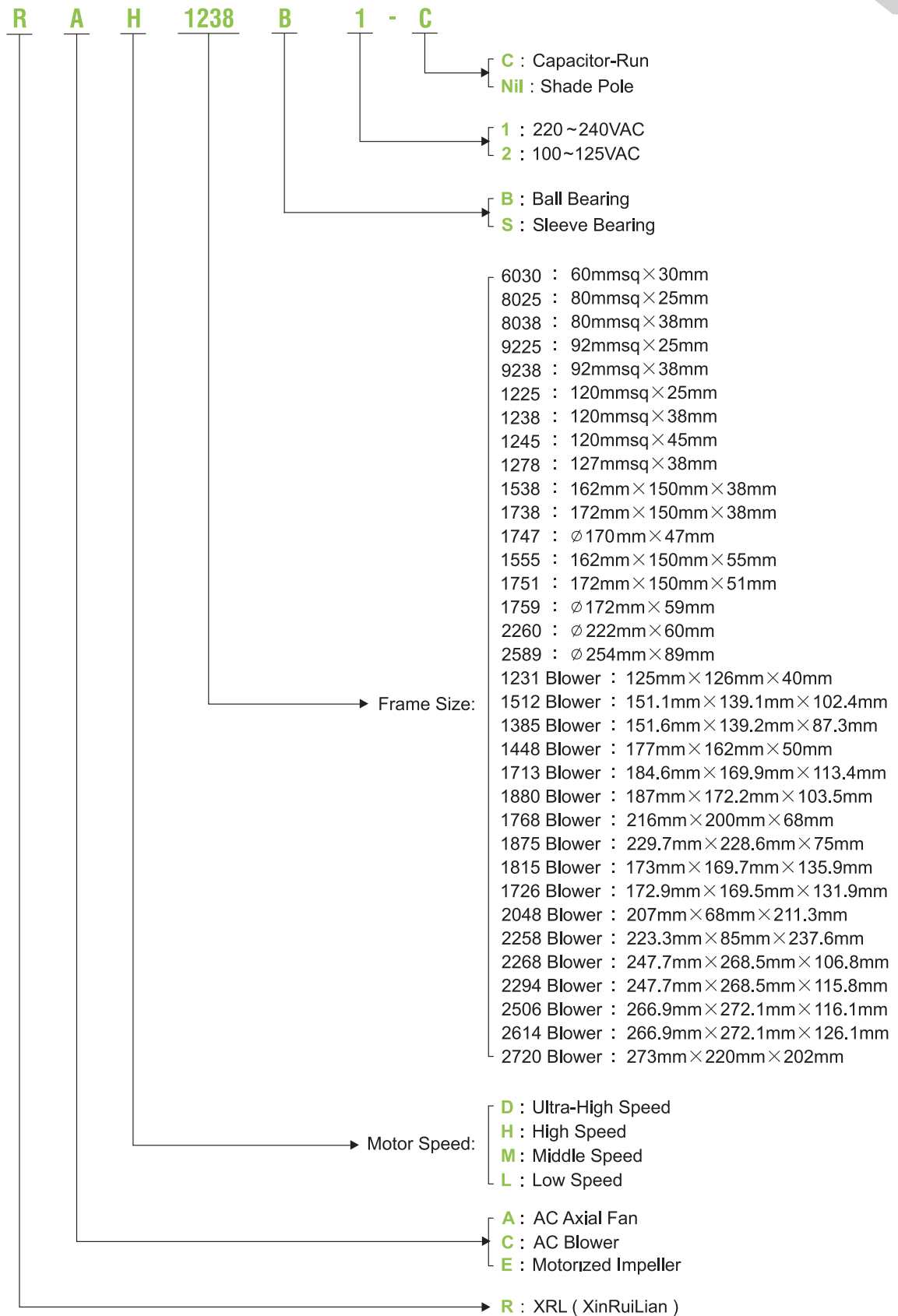


# AC Series

## AC General Standard

<b>Operation Voltage :</b>	<b>± 10% of rated voltage</b>
<b>Storage Temperature :</b>	<b>-40°C – +80°C @65% Relative humidity</b>
<b>Insulation Resistance :</b>	<b>10 Mohm Min. @DC 500V</b>
<b>Dielectric Strength :</b>	<b>AC 1500V for 3 sec.(&lt;0.5mA allowable,between lead and frame)</b>
<b>Noise :</b>	<b>Measured at rated voltage at 1 meter distance in an Anechoic, with a background noise 16dBA Max</b>
<b>Vibration :</b>	<b>JIS C0040 Amplitude 1.5mm,frequency 10-55Hz, 1hr per axis:X,Z,Y</b>
<b>Shock :</b>	<b>JIS C0041 Acceleration 100G, duration 6ms per axis:X,Z,Y</b>
<b>Life :</b>	<b>Life expectancy is 50,000 hours for ball bearing or 30,000 hours for sleeve bearing@25°C ± 25°C,65% ± 20% relative humidity continuous operation</b>
<b>Safety :</b>	<b>Designed to meet UL, CUL, TUV and CE certification</b>
<b>Insulation :</b>	<b>Class B</b>

## Model Numbering System

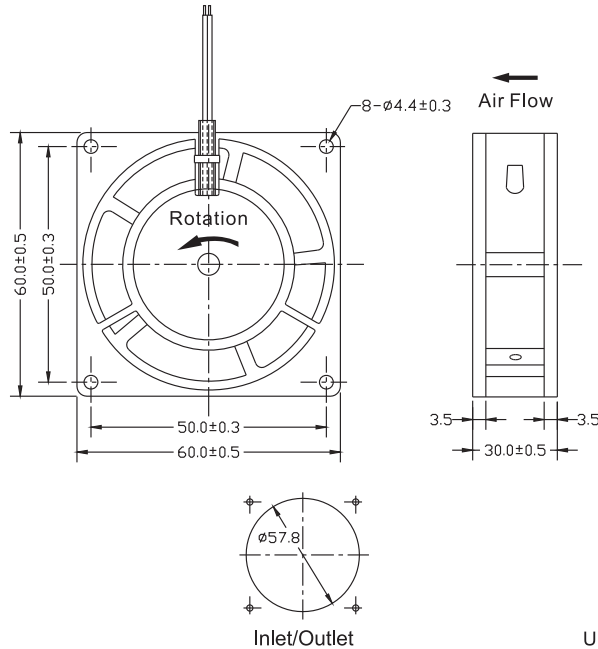


**60 x 60 x 30 mm**

**A Series**



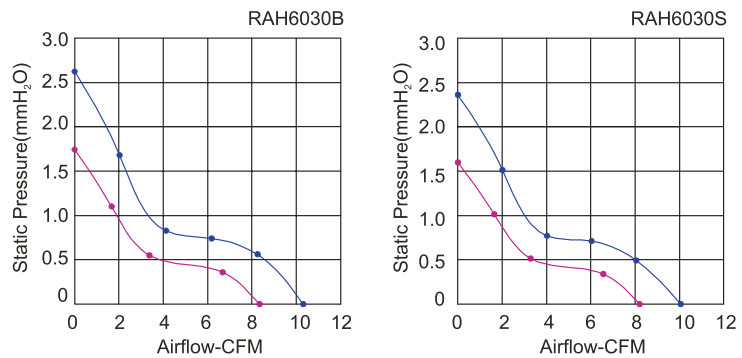
**Dimensions Drawing**



**General Specification**

- Impeller : PBT UL94V-0 Reinforced Plastic
- Frame : Aluminum Alloy
- Lead Wire : AWG#22 UL 1430(Optional)
- Motor : Shaded Pole Induction Motor
- Operation Temperature : -10°C~+70°C  
35%~85%RH
- Storage Temperature : -40°C~75°C  
35%~85%RH
- **UL**® (100~125V)
- **CE** (220~240V)

**Performance Curves**



Model	Bearing System	Voltage VAC	Freq. Hz	Current A	Power W	Speed RPM	Noise dBA	Air Flow		Static Pressure (mmH <sub>2</sub> O)	Weight Gram
								M <sup>3</sup> /hr	CFM		
RAH6030S1	Sleeve	220~240	50/60	0.04	5/4	2550/3100	27/28	13.8/17.5	8.1/10.3	1.7/2.8	145
RAH6030S2		100~125	50/60	0.07/0.06	5/4	2550/3100	27/28	13.8/17.5	8.1/10.3	1.7/2.8	
RAH6030B1	Ball	220~240	50/60	0.042	5/4	2550/3100	27/28	13.8/17.5	8.1/10.3	1.7/2.8	
RAH6030B2		100~125	50/60	0.07/0.06	5/4	2550/3100	27/28	13.8/17.5	8.1/10.3	1.7/2.8	

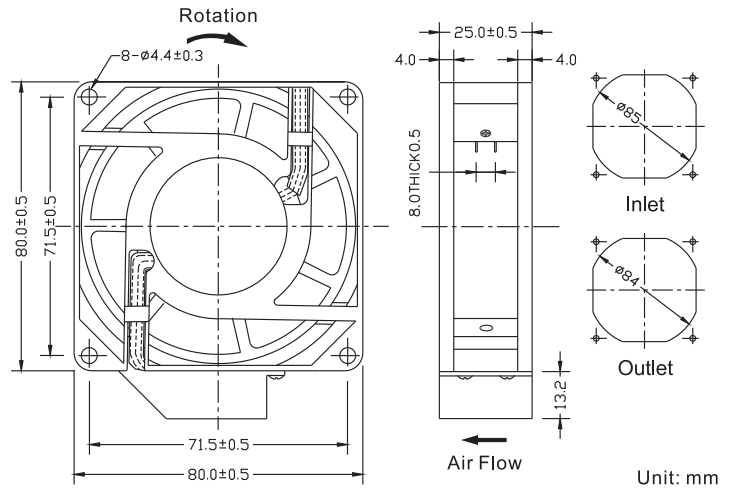
● All readings are typical values at rated voltage.  
● Specifications are subjected to change without prior notice.



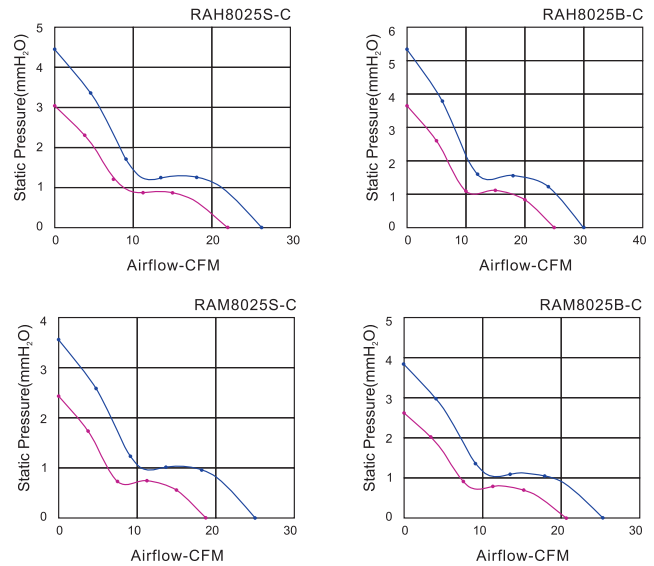
**General Specification**

- Impeller : PBT UL94V-0 Reinforced Plastic
- Frame : Aluminum Alloy
- Terminals : 0,5mm
- Lead Wire : AWG#24 UL 1430(Optional)
- Motor : Capacitor-Run Induction Motor
- Operation Temperature : -10°C~+65°C  
35%~85%RH
- Storage Temperature : -40°C~75°C  
35%~85%RH
- (220~240V) (220~240V)
- (100~125V)

**Dimensions Drawing**



**Performance Curves**



Model	Bearing System	Voltage VAC	Freq. Hz	Current A	Power W	Speed RPM	Noise dBA	Air Flow		Static Pressure (mmH <sub>2</sub> O)	Weight Gram
								M <sup>3</sup> /hr	CFM		
RAH8025S1-C	Sleeve	220~240	50/60	0.08/0.09	17/19	2500/3000	24/29	37/44	22/26	3.0/4.4	260
RAM8025S1-C		220~240	50/60	0.07/0.07	15/15	2150/2800	21/25	31/43	18/25	2.2/3.5	
RAH8025S2-C		100~125	50/60	0.13/0.14	15/17	2500/3000	24/29	37/44	22/26	3.0/4.4	
RAM8025S2-C		100~125	50/60	0.10/0.10	12/12	2150/2800	21/25	31/43	18/25	2.2/3.5	
RAH8025B1-C	Ball	220~240	50/60	0.08/0.09	17/19	2800/3350	27/31	43/51	25/30	3.6/5.3	
RAM8025B1-C		220~240	50/60	0.07/0.07	15/15	2350/2850	23/27	36/43	21/25	2.6/3.8	
RAH8025B2-C		100~125	50/60	0.13/0.14	15/17	2800/3350	27/31	43/51	25/30	3.6/5.3	
RAM8025B2-C		100~125	50/60	0.10/0.10	12/12	2350/2850	23/27	36/43	21/25	2.6/3.8	

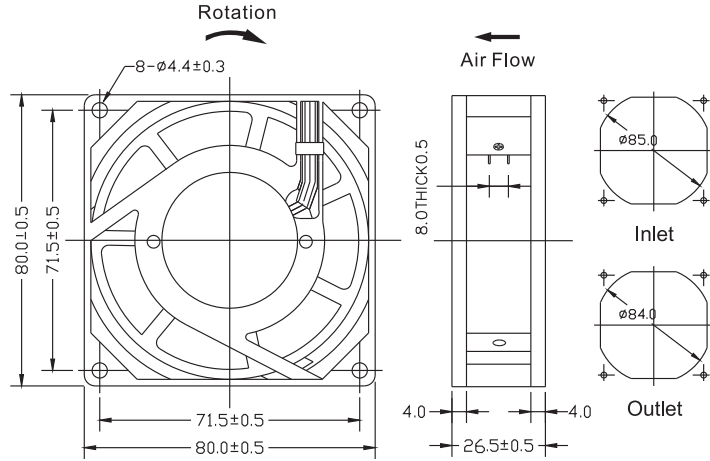
● All readings are typical values at rated voltage.  
● Specifications are subjected to change without prior notice.

80 x 80 x 25 mm

A Series



**Dimensions Drawing**



Unit: mm

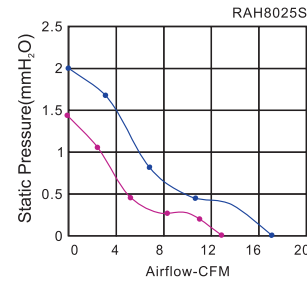
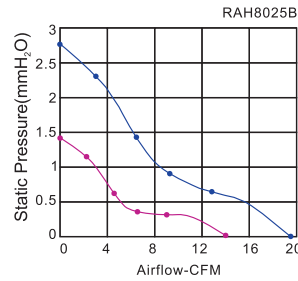
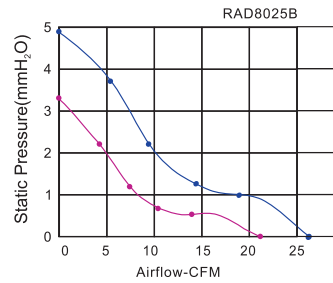
**General Specification**

- Impeller : PBT UL94V-0 Reinforced Plastic
- Frame : Aluminum Alloy
- Terminals : 0.5mm
- Lead Wire : AWG#22 UL 1430(Optional)
- Motor : Shaded Pole Induction Motor
- Operation Temperature : -10°C~+70°C  
35%~85%RH
- Storage Temperature : -40°C~75°C  
35%~85%RH



**Performance Curves**

Key  
— 60Hz  
— 50Hz



Model	Bearing System	Voltage VAC	Freq. Hz	Current A	Power W	Speed RPM	Noise dBA	Air Flow		Static Pressure (mmH <sub>2</sub> O)	Weight Gram
								M <sup>3</sup> /hr	CFM		
RAH8025S1	Sleeve	220~240	50/60	0.1	13/11	1600/2100	22/25	22/29	13/17	1.4/2.0	208
RAH8025S2		100~125	50/60	0.13	13/11	1600/2100	22/25	22/29	13/17	1.4/2.0	
RAD8025B1	Ball	220~240	50/60	0.1	13/11	2400/2900	30/35	37/46	22/27	3.3/4.9	
RAH8025B1		220~240	50/60	0.1	13/11	1700/2200	24/26	24/32	14/19	1.4/2.7	
RAD8025B2		100~125	50/60	0.13	13/11	2400/2900	30/35	37/46	22/27	3.3/4.9	
RAH8025B2		100~125	50/60	0.13	13/11	1700/2200	24/26	24/32	14/19	1.4/2.7	

● All readings are typical values at rated voltage.  
● Specifications are subjected to change without prior notice.

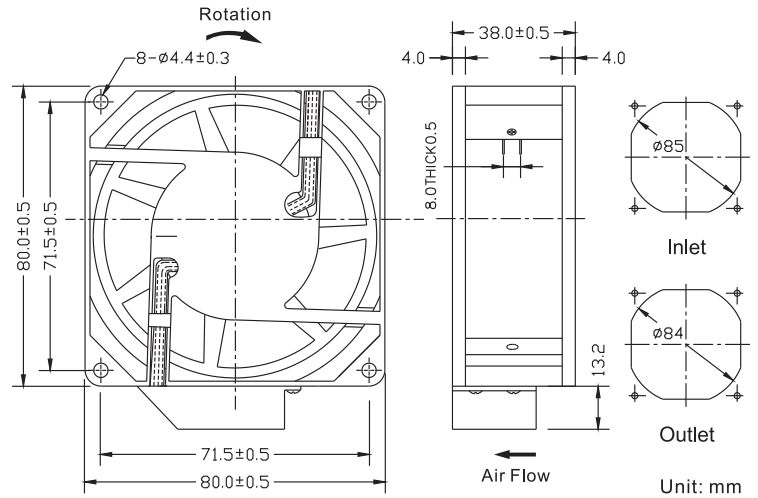




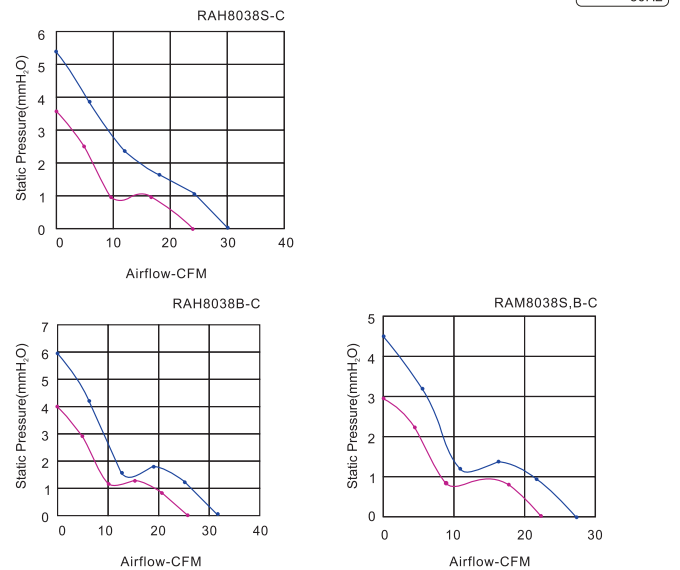
**General Specification**

- Impeller : PBT UL94V-0 Reinforced Plastic
- Frame : Aluminum Alloy
- Terminals : 0.5mm
- Lead Wire : AWG#24 UL 1430(Optional)
- Motor : Capacitor-Run Induction Motor
- Operation Temperature : -10°C~+65°C  
35%~85%RH
- Storage Temperature : -40°C~75°C  
35%~85%RH
- (220~240V)  
 (100~125V)

**Dimensions Drawing**



**Performance Curves**



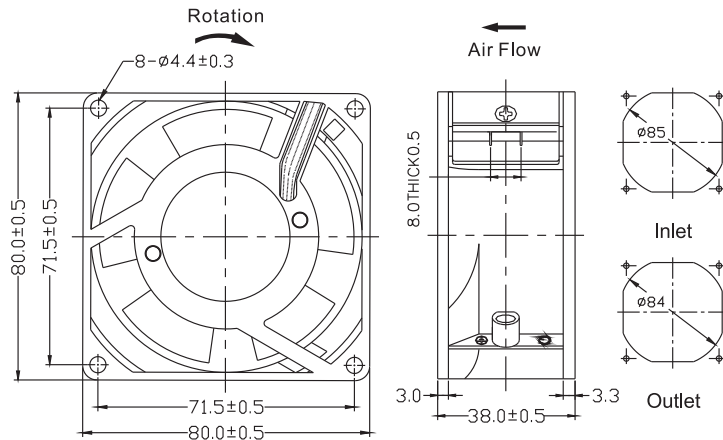
Model	Bearing System	Voltage VAC	Freq. Hz	Current A	Power W	Speed RPM	Noise dBA	Air Flow		Static Pressure (mmH <sub>2</sub> O)	Weight Gram
								M <sup>3</sup> /hr	CFM		
RAH8038S1-C	Sleeve	220~240	50/60	0.06/0.07	14/15	2650/3250	25/29	41/51	24/30	3.7/5.5	350
RAM8038S1-C		220~240	50/60	0.05/0.05	11/11	2400/2950	24/28	37/46	22/27	3.0/4.6	
RAH8038S2-C		100~125	50/60	0.11/0.12	13/14	2650/3250	25/29	41/51	24/30	3.7/5.5	
RAM8038S2-C		100~125	50/60	0.06/0.06	7/7	2400/2950	24/28	37/46	22/27	3.0/4.6	
RAH8038B1-C	Ball	220~240	50/60	0.06/0.07	14/15	2850/3450	26/31.5	44/54	26/32	4.1/6.0	
RAM8038B1-C		220~240	50/60	0.05/0.05	11/11	2400/2950	24/28	37/46	22/27	3.0/4.6	
RAH8038B2-C		100~125	50/60	0.11/0.12	13/14	2850/3450	26/31.5	44/54	26/32	4.1/6.0	
RAM8038B2-C		100~125	50/60	0.06/0.06	7/7	2400/2950	24/28	37/46	22/27	3.0/4.6	

● All readings are typical values at rated voltage.  
● Specifications are subjected to change without prior notice.

**80 x 80 x 38 mm**

**A Series**

**Dimensions Drawing**



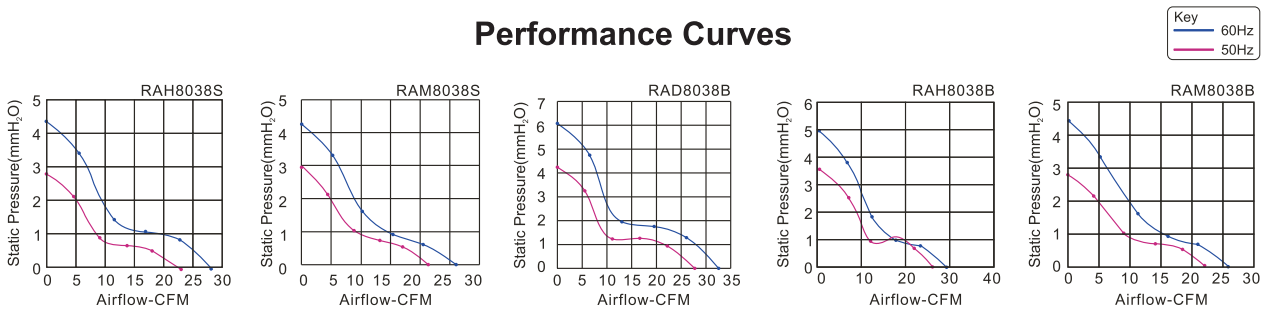
Unit: mm

**General Specification**

- Impeller : PBT UL94V-0 Reinforced Plastic
- Frame : Aluminum Alloy
- Terminals : 0,5mm
- Lead Wire : AWG#22 UL 1430(Optional)
- Motor : Shaded Pole Induction Motor
- Operation Temperature : -10°C~+70°C  
35%~85%RH
- Storage Temperature : -40°C~75°C  
35%~85%RH



**Performance Curves**



Model	Bearing System	Voltage VAC	Freq. Hz	Current A	Power W	Speed RPM	Noise dBA	Air Flow		Static Pressure (mmH <sub>2</sub> O)	Weight Gram
								M <sup>3</sup> /hr	CFM		
RAH8038S1	Sleeve	220~240	50/60	0.08	14/10	2400/2900	33/38	39/48	23/28	2.9/4.5	340
RAM8038S1		220~240	50/60	0.06	7/6	2300/2700	32/35	36/44	21/26	2.7/4.2	
RAH8038S2		100~125	50/60	0.20	16/12	2400/2900	33/38	39/48	23/28	2.9/4.5	
RAM8038S2		100~125	50/60	0.10	9/7	2300/2700	32/35	36/44	21/26	2.7/4.2	
RAD8038B1	Ball	220~240	50/60	0.12	14/10	2700/3100	35/40	48/56	28/33	4.2/6.1	
RAH8038B1		220~240	50/60	0.08	14/10	2700/3000	35/39	44/49	26/29	3.7/5.0	
RAM8038B1		220~240	50/60	0.06	7/6	2300/2700	32/35	37/44	22/26	2.8/4.5	
RAD8038B2		100~125	50/60	0.20	16/12	2700/3100	35/40	48/56	28/33	4.2/6.1	
RAH8038B2		100~125	50/60	0.20	16/12	2700/3000	35/39	44/49	26/29	3.7/5.0	
RAM8038B2		100~125	50/60	0.10	9/7	2300/2700	32/35	37/44	22/26	2.8/4.5	

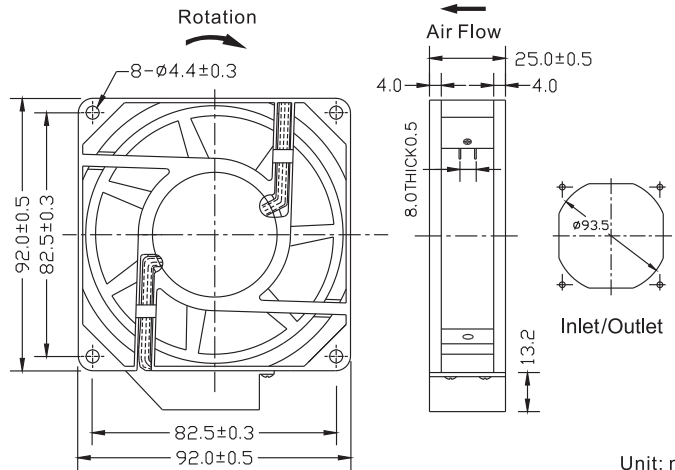
- All readings are typical values at rated voltage.
- Specifications are subjected to change without prior notice.



**General Specification**

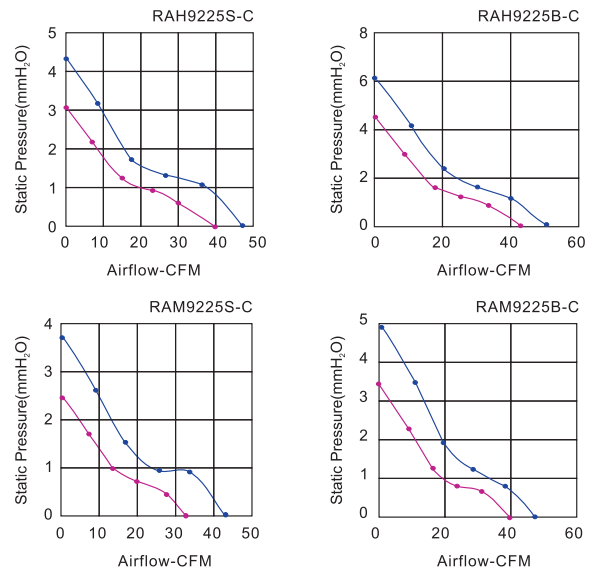
- Impeller : PBT UL94V-0 Reinforced Plastic
- Frame : Aluminum Alloy
- Terminals : 0.5mm
- Lead Wire : AWG#24 UL 1430(Optional)
- Motor : Capacitor-Run Induction Motor
- Operation Temperature : -10°C~+65°C  
35%~85%RH
- Storage Temperature : -40°C~75°C  
35%~85%RH
- (220~240V)  
 (100~125V)

**Dimensions Drawing**



Unit: mm

**Performance Curves**



Model	Bearing System	Voltage VAC	Freq. Hz	Current A	Power W	Speed RPM	Noise dBA	Air Flow		Static Pressure (mmH <sub>2</sub> O)	Weight Gram
								M <sup>3</sup> /hr	CFM		
RAH9225S1-C	Sleeve	220~240	50/60	0.08/0.09	17/18	2350/2850	26/31	66/80	39/47	3.1/4.4	280
RAM9225S1-C		220~240	50/60	0.07/0.07	15/15	2100/2600	25/29	53/71	31/42	2.4/3.7	
RAH9225S2-C		100~125	50/60	0.15/0.16	17/18	2350/2850	26/31	66/80	39/47	3.1/4.4	
RAM9225S2-C		100~125	50/60	0.11/0.11	13/13	2100/2600	25/29	53/71	31/42	2.4/3.7	
RAH9225B1-C	Ball	220~240	50/60	0.08/0.09	17/18	2700/3200	30/34	71/85	42/50	4.3/6.0	
RAM9225B1-C		220~240	50/60	0.07/0.07	15/15	2400/2950	27/32	66/82	39/48	3.3/4.8	
RAH9225B2-C		100~125	50/60	0.15/0.16	17/18	2700/3200	30/34	71/85	42/50	4.3/6.0	
RAM9225B2-C		100~125	50/60	0.13/0.13	15/15	2400/2950	27/32	66/82	39/48	3.3/4.8	

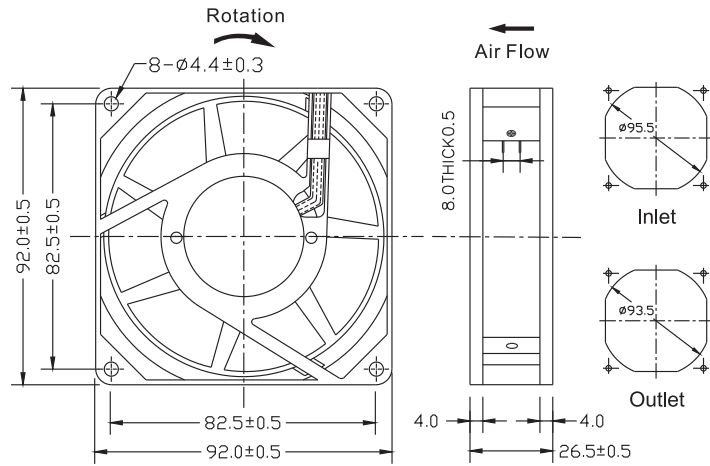
● All readings are typical values at rated voltage.  
● Specifications are subjected to change without prior notice.

**92 x 92 x 25 mm**

**A Series**



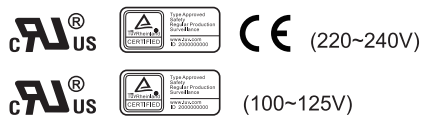
**Dimensions Drawing**



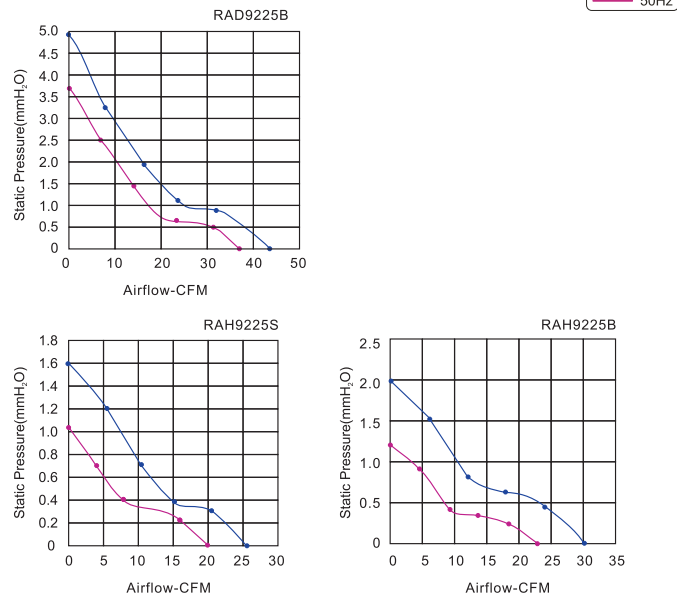
Unit: mm

**General Specification**

- Impeller : PBT UL94V-0 Reinforced Plastic
- Frame : Aluminum Alloy
- Terminals : 0.5mm
- Lead Wire : AWG#22 UL 1430(Optional)
- Motor : Shaded Pole Induction Motor
- Operation Temperature : -10°C~+70°C  
35%~85%RH
- Storage Temperature : -40°C~75°C  
35%~85%RH



**Performance Curves**



Model	Bearing System	Voltage VAC	Freq. Hz	Current A	Power W	Speed RPM	Noise dBA	Air Flow		Static Pressure (mmH <sub>2</sub> O)	Weight Gram
								M <sup>3</sup> /hr	CFM		
RAH9225S1	Sleeve	220~240	50/60	0.1	13/11	1300/1700	20/23	33/43	20/26	1.0/1.6	240
RAH9225S2		100~125	50/60	0.13	13/11	1300/1700	20/23	33/43	20/26	1.0/1.6	
RAD9225B1	Ball	220~240	50/60	0.1	13/11	2300/2700	34/38	63/75	37/44	3.7/4.9	
RAH9225B1		220~240	50/60	0.1	13/11	1400/1900	22/26	37/50	22/30	1.2/1.9	
RAD9225B2		100~125	50/60	0.13	13/11	2300/2700	34/38	63/75	37/44	3.7/4.9	
RAH9225B2		100~125	50/60	0.13	13/11	1400/1900	22/26	37/50	22/30	1.2/1.9	

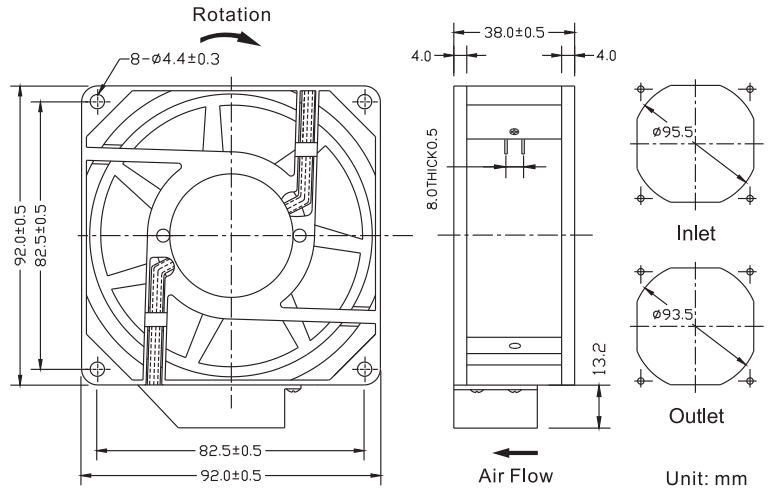
● All readings are typical values at rated voltage.  
● Specifications are subjected to change without prior notice.



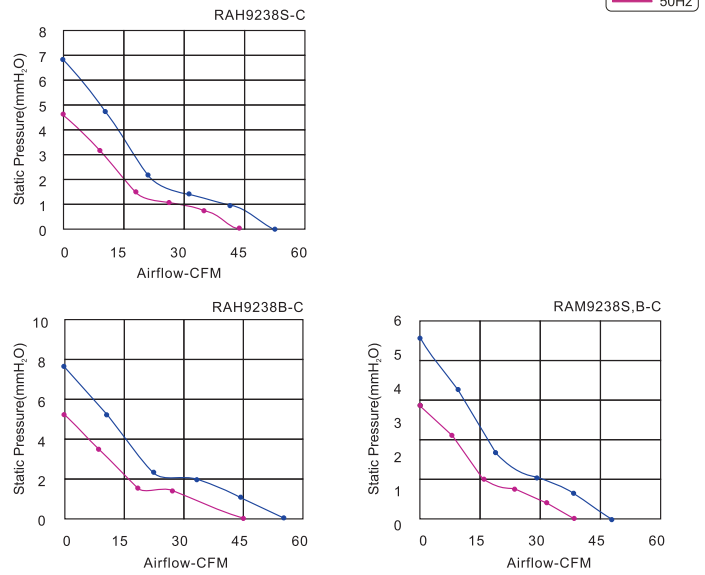
**General Specification**

- Impeller : PBT UL94V-0 Reinforced Plastic
- Frame : Aluminum Alloy
- Terminals : 0,5mm
- Lead Wire : AWG#24 UL 1430(Optional)
- Motor : Capacitor-Run Induction Motor
- Operation Temperature : -10°C~+65°C  
35%~85%RH
- Storage Temperature : -40°C~75°C  
35%~85%RH
- (220~240V)
- (100~125V)

**Dimensions Drawing**



**Performance Curves**



Model	Bearing System	Voltage VAC	Freq. Hz	Current A	Power W	Speed RPM	Noise dBA	Air Flow		Static Pressure (mmH <sub>2</sub> O)	Weight Gram
								M <sup>3</sup> /hr	CFM		
RAH9238S1-C	Sleeve	220~240	50/60	0.07/0.08	16/17	2650/3200	29/35	75/90	44/53	4.6/6.9	380
RAM9238S1-C		220~240	50/60	0.05/0.05	11/11	2350/2850	26/31	66/82	39/48	3.4/5.4	
RAH9238S2-C		100~125	50/60	0.13/0.14	16/17	2650/3200	29/35	75/90	44/53	4.6/6.9	
RAM9238S2-C		100~125	50/60	0.06/0.06	9/9	2350/2850	26/31	66/82	39/48	3.4/5.4	
RAH9238B1-C	Ball	220~240	50/60	0.07/0.08	16/17	2800/3350	30/36	78/95	46/56	5.3/7.7	
RAM9238B1-C		220~240	50/60	0.05/0.05	11/11	2350/2850	26/31	66/82	34/48	3.4/5.4	
RAH9238B2-C		100~125	50/60	0.13/0.14	16/17	2800/3350	30/36	78/95	46/56	5.3/7.7	
RAM9238B2-C		100~125	50/60	0.06/0.06	9/9	2350/2850	26/31	66/82	34/48	3.4/5.4	

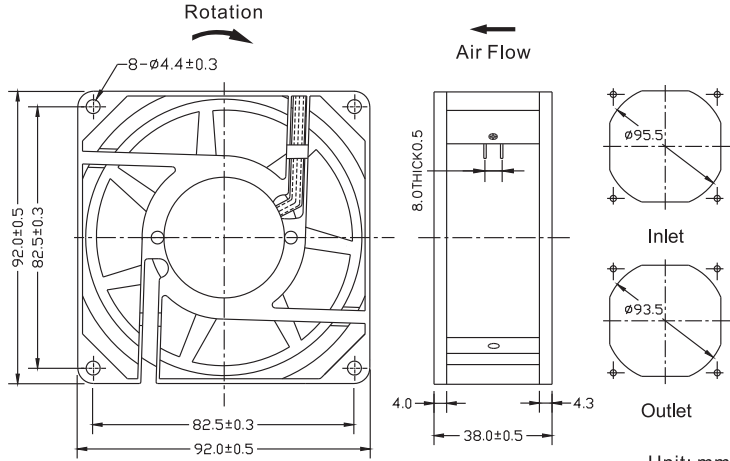
● All readings are typical values at rated voltage.  
● Specifications are subjected to change without prior notice.

**92 x 92 x 38 mm**

**A Series**



**Dimensions Drawing**



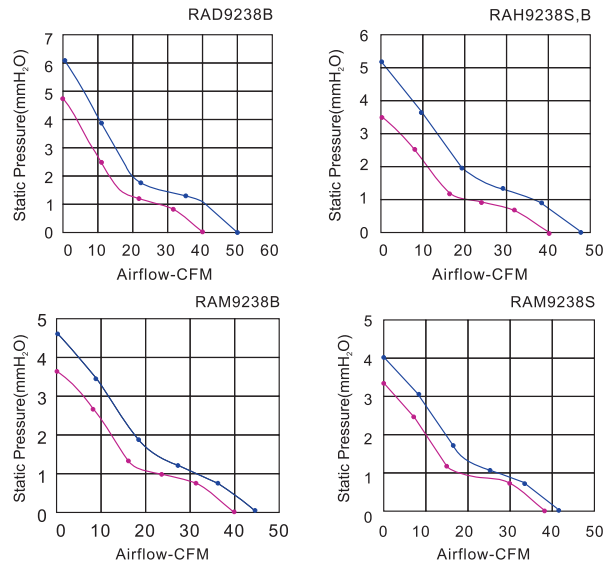
Unit: mm

**General Specification**

- Impeller : PBT UL94V-0 Reinforced Plastic
- Frame : Aluminum Alloy
- Terminals : 0.5mm
- Lead Wire : AWG#22 UL 1430(Optional)
- Motor : Shaded Pole Induction Motor
- Operation Temperature : -10°C~+70°C  
35%~85%RH
- Storage Temperature : -40°C~75°C  
35%~85%RH
- (220~240V)
- (100~125V)

**Performance Curves**

Key  
— 60Hz  
— 50Hz

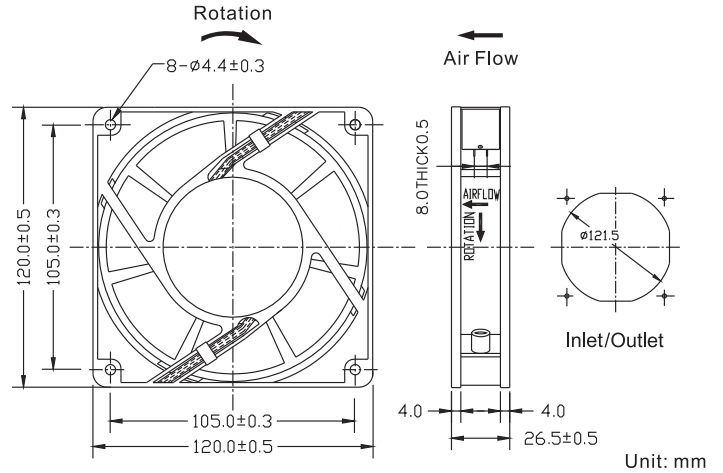


Model	Bearing System	Voltage VAC	Freq. Hz	Current A	Power W	Speed RPM	Noise dBA	Air Flow		Static Pressure (mmH <sub>2</sub> O)	Weight Gram
								M <sup>3</sup> /hr	CFM		
RAH9238S1	Sleeve	220~240	50/60	0.10/0.08	17/13	2350/2750	26/31	66/78	39/46	3.6/5.2	350
RAM9238S1		220~240	50/60	0.07/0.06	11/8	2200/2500	25/27	63/70	37/41	3.3/4.0	
RAH9238S2		100~125	50/60	0.23/0.18	17/13	2350/2750	26/31	66/78	39/46	3.6/5.2	
RAM9238S2		100~125	50/60	0.12/0.09	9/7	2200/2500	25/27	63/70	37/41	3.3/4.0	
RAD9238B1	Ball	220~240	50/60	0.10/0.08	17/13	2600/3000	31/35	72/85	42/50	4.5/6.1	
RAH9238B1		220~240	50/60	0.10/0.08	17/13	2350/2750	27/32	66/78	39/46	3.6/5.2	
RAM9238B1		220~240	50/60	0.07/0.06	11/8	2250/2600	26/28	65/75	38/44	3.7/4.6	
RAD9238B2		100~125	50/60	0.23/0.18	17/13	2600/3000	31/35	72/85	42/50	4.5/6.1	
RAH9238B2		100~125	50/60	0.23/0.18	17/13	2350/2750	27/32	66/78	39/46	3.6/5.2	
RAM9238B2		100~125	50/60	0.12/0.09	9/7	2250/2600	26/28	65/75	38/44	3.7/4.6	

● All readings are typical values at rated voltage.  
● Specifications are subjected to change without prior notice.



**Dimensions Drawing**



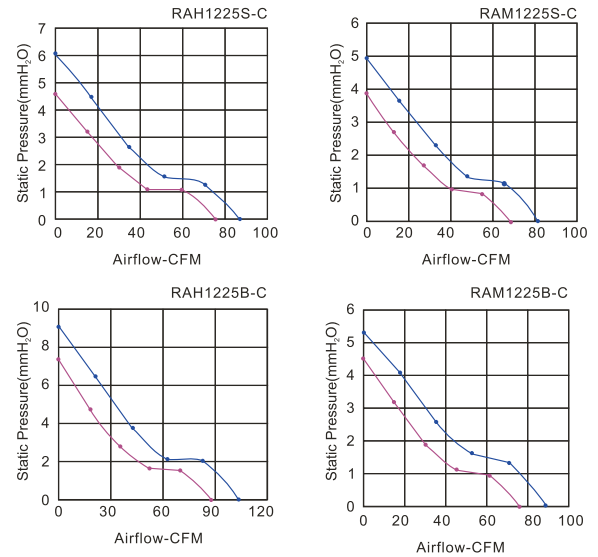
Unit: mm

**General Specification**

- Impeller : PBT UL94V-0 Reinforced Plastic
- Frame : Aluminum Alloy
- Terminals : 0.5mm
- Lead Wire : AWG#24 UL 1430(Optional)
- Motor : Capacitor-Run Induction Motor
- Operation Temperature : -10°C~+65°C  
35%~85%RH
- Storage Temperature : -40°C~75°C  
35%~85%RH
- (220~240V)
- (100~125V)

**Performance Curves**

Key  
— 60Hz  
— 50Hz



Model	Bearing System	Voltage VAC	Freq. Hz	Current A	Power W	Speed RPM	Noise dBA	Air Flow		Static Pressure (mmH <sub>2</sub> O)	Weight Gram
								M <sup>3</sup> /hr	CFM		
RAH1225S1-C	Sleeve	220~240	50/60	0.09/0.09	19/20	2450/2900	38/42	129/150	76/90	4.6/6.2	370
RAM1225S1-C		220~240	50/60	0.08/0.08	18/19	2300/2750	36/40	119/143	70/84	4.0/5.0	
RAH1225S2-C		100~125	50/60	0.15/0.16	18/19	2450/2900	38/42	129/150	76/90	4.6/6.2	
RAM1225S2-C		100~125	50/60	0.14/0.14	17/17	2300/2750	36/40	119/143	70/84	4.0/5.0	
RAH1225B1-C	Ball	220~240	50/60	0.09/0.09	19/20	2800/3350	42/46	146/175	86/103	7.3/9.0	
RAM1225B1-C		220~240	50/60	0.08/0.08	18/19	2450/2900	38/43	129/150	76/90	4.6/5.3	
RAH1225B2-C		100~125	50/60	0.15/0.16	18/19	2800/3350	42/46	146/175	86/103	7.3/9.0	
RAM1225B2-C		100~125	50/60	0.14/0.14	18/19	2450/2900	38/43	129/150	76/90	4.6/5.3	

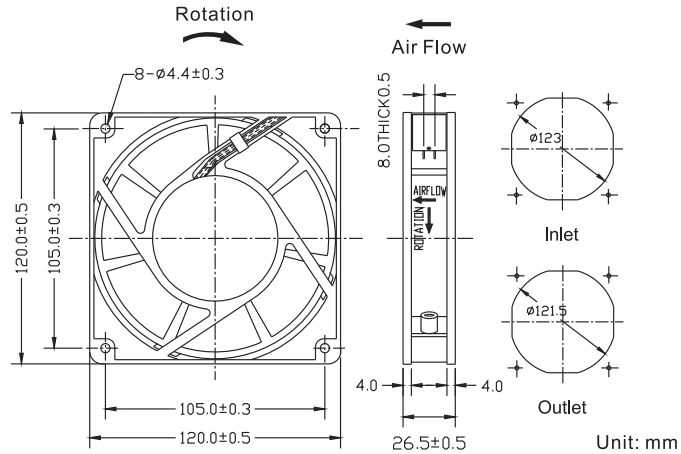
● All readings are typical values at rated voltage.  
● Specifications are subjected to change without prior notice.

120x120x25 mm

A Series



**Dimensions Drawing**



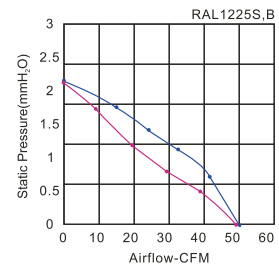
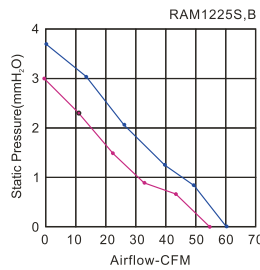
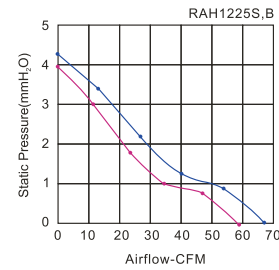
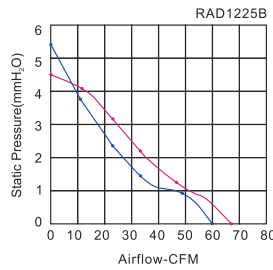
Unit: mm

**General Specification**

- Impeller : PBT UL94V-0 Reinforced Plastic
- Frame : Aluminum Alloy
- Terminals : 0,5mm
- Lead Wire : AWG#22 UL 1430(Optional)
- Motor : Shaded Pole Induction Motor
- Operation Temperature : -10°C~+70°C  
35%~85%RH
- Storage Temperature : -40°C~+75°C  
35%~85%RH
- <sup>®</sup> <sub>US</sub>

**Performance Curves**

Key  
— 60Hz  
— 50Hz



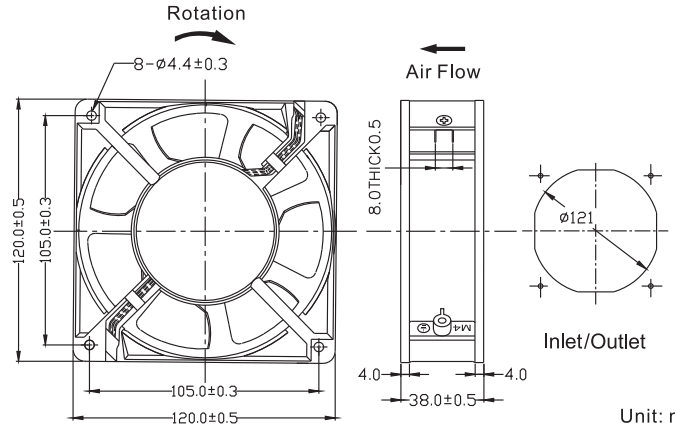
Model	Bearing System	Voltage VAC	Freq. Hz	Current A	Power W	Speed RPM	Noise dBA	Air Flow		Static Pressure (mmH <sub>2</sub> O)	Weight Gram
								M <sup>3</sup> /hr	CFM		
RAH1225S1	Sleeve	220~240	50/60	0.07	14/13	2150/2450	34/39	100/115	59/68	4.0/4.3	370
RAM1225S1		220~240	50/60	0.07	11/10	2000/2200	33/34	94/102	55/60	3.0/3.7	
RAL1225S1		220~240	50/60	0.07	9/8	1800/1800	31/31	85/85	50/50	2.2/2.2	
RAH1225S2		100~125	50/60	0.17	14/13	2150/2450	34/39	100/115	59/68	4.0/4.3	
RAM1225S2		100~125	50/60	0.13	11/10	2000/2200	33/34	94/102	55/60	3.0/3.7	
RAL1225S2	100~125	50/60	0.09	9/8	1800/1800	31/31	85/85	50/50	2.2/2.2		
RAD1225B1	Ball	220~240	50/60	0.07	16/14	2450/2700	39/41	115/129	68/76	5.4/5.1	
RAH1225B1		220~240	50/60	0.07	14/13	2150/2450	34/39	100/115	59/68	4.0/4.3	
RAM1225B1		220~240	50/60	0.06	11/10	2000/2200	33/34	94/102	55/60	3.0/3.7	
RAL1225B1		220~240	50/60	0.05	9/8	1800/1800	31/31	85/85	50/50	2.2/2.2	
RAH1225B2		100~125	50/60	0.17	16/14	2450/2700	39/41	115/129	68/76	5.4/5.1	
RAH1225B2		100~125	50/60	0.17	14/13	2150/2450	34/39	100/115	59/68	4.0/4.3	
RAM1225B2		100~125	50/60	0.13	11/10	2000/2200	33/34	94/102	55/60	3.0/3.7	
RAL1225B2		100~125	50/60	0.09	9/8	1800/1800	31/31	85/85	50/50	2.2/2.2	

- All readings are typical values at rated voltage.
- Specifications are subjected to change without prior notice.





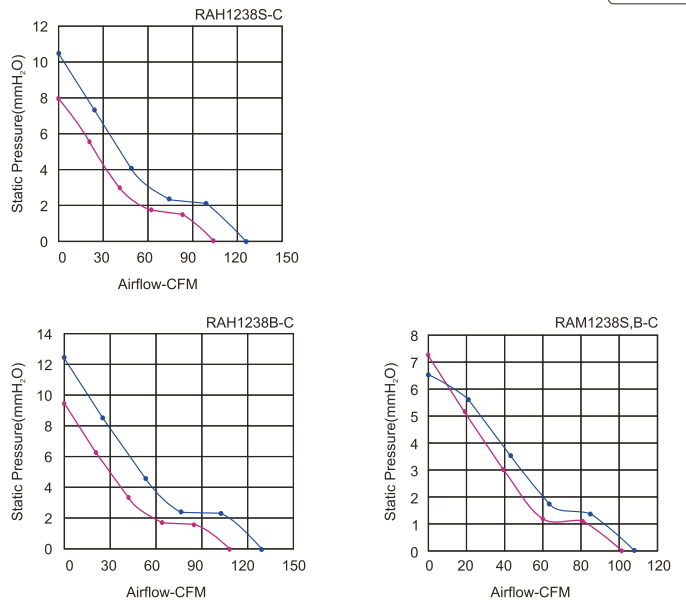
**Dimensions Drawing**



**General Specification**

- Impeller : PBT UL94V-0 Reinforced Plastic
- Frame : Aluminum Alloy
- Terminals : 0.5mm
- Lead Wire : AWG#24 UL 1430(Optional)
- Motor : Capacitor-Run Induction Motor
- Operation Temperature : -10°C~+65°C  
35%~85%RH
- Storage Temperature : -40°C~75°C  
35%~85%RH
- (220~240V)
- (100~125V)

**Performance Curves**



Model	Bearing System	Voltage VAC	Freq. Hz	Current A	Power W	Speed RPM	Noise dBA	Air Flow		Static Pressure (mmH <sub>2</sub> O)	Weight Gram
								M <sup>3</sup> /hr	CFM		
RAH1238S1-C	Sleeve	220~240	50/60	0.10/0.11	21/21	2650/3100	42/45	180/214	106/126	8.2/10.6	504
RAM1238S1-C		220~240	50/60	0.08/0.09	13/14	2550/2800	39/43	177/185	104/109	7.3/6.5	
RAH1238S2-C		100~125	50/60	0.17/0.18	24/23	2650/3100	42/45	180/214	106/126	8.2/10.6	
RAM1238S2-C		100~125	50/60	0.15/0.16	13/14	2550/2800	39/43	177/185	104/109	7.3/6.5	
RAH1238B1-C	Ball	220~240	50/60	0.10/0.11	21/21	2800/3300	43/47	185/221	109/130	9.6/12.5	
RAM1238B1-C		220~240	50/60	0.08/0.09	13/14	2550/2800	39/43	177/185	104/109	7.3/6.5	
RAH1238B2-C		100~125	50/60	0.17/0.18	23/22	2800/3300	43/47	185/221	109/130	9.6/12.5	
RAM1238B2-C		100~125	50/60	0.15/0.16	13/14	2550/2800	39/43	177/185	104/109	7.3/6.5	

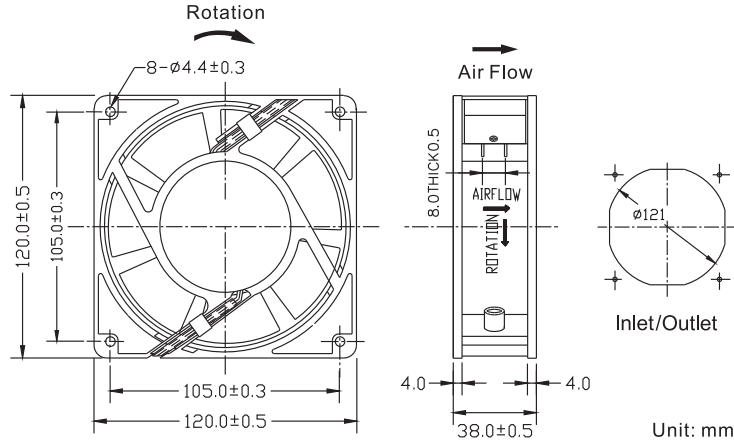
● All readings are typical values at rated voltage.  
● Specifications are subjected to change without prior notice.

**120x120x38 mm**

**A Series**



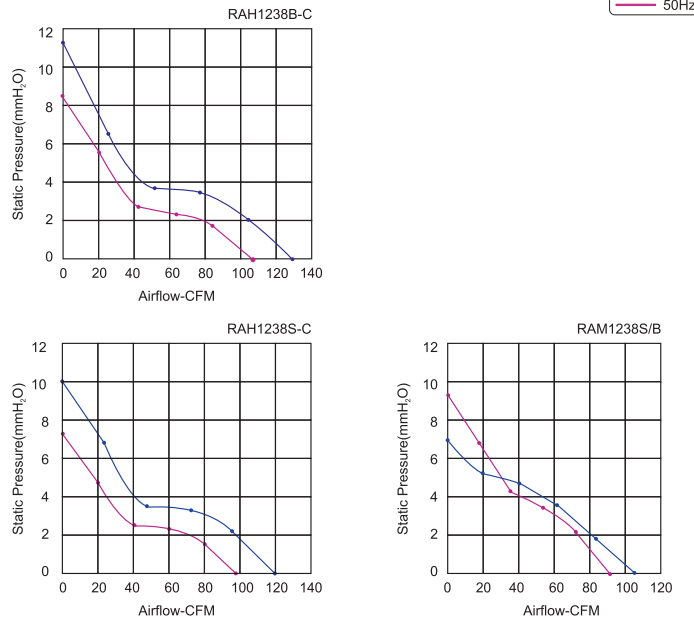
**Dimensions Drawing**



**General Specification**

- Impeller : PBT UL94V-0 Reinforced Plastic
- Frame : Aluminum Alloy
- Terminals : 0.5mm
- Lead Wire : AWG#24 UL 1430(Optional)
- Motor : Capacitor-Run Induction Motor
- Operation Temperature :  $-10^{\circ}\text{C} \sim +65^{\circ}\text{C}$   
35%~85%RH
- Storage Temperature :  $-40^{\circ}\text{C} \sim 75^{\circ}\text{C}$   
35%~85%RH
- (220~240V)
- (100~125V)

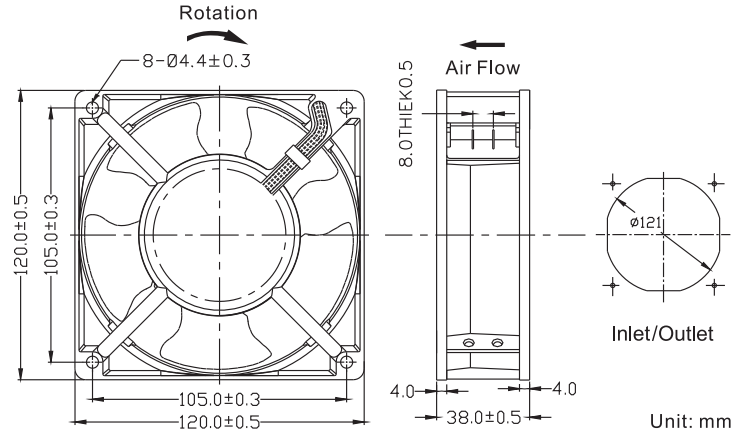
**Performance Curves**



Model	Bearing System	Voltage VAC	Freq. Hz	Current A	Power W	Speed RPM	Noise dBA	Air Flow		Static Pressure (mmH <sub>2</sub> O)	Weight Gram
								M <sup>3</sup> /hr	CFM		
RAH1238S1-C	Sleeve	220~240	50/60	0.10/0.11	21/21	2700/3200	46/50	170/202	100/119	7.3/9.5	504
RAM1238S1-C		220~240	50/60	0.08/0.09	13/14	2550/2800	43/46	161/178	93/105	4.7/3.6	
RAH1238S2-C		100~125	50/60	0.17/0.18	24/23	2700/3200	46/50	170/202	100/119	7.3/9.5	
RAM1238S2-C		100~125	50/60	0.15/0.16	14/14	2550/2800	43/46	161/178	93/105	4.7/3.6	
RAH1238B1-C	Ball	220~240	50/60	0.10/0.11	20/20	2850/3400	45/49	178/214	105/126	8.3/10.6	
RAM1238B1-C		220~240	50/60	0.08/0.09	13/14	2550/2800	43/46	161/178	93/105	4.7/3.6	
RAH1238B2-C		100~125	50/60	0.17/0.18	23/22	2850/3400	45/49	178/214	105/126	8.3/10.6	
RAM1238B2-C		100~125	50/60	0.15/0.16	14/14	2550/2800	43/46	161/178	93/105	4.7/3.6	

● All readings are typical values at rated voltage.  
● Specifications are subjected to change without prior notice.

**Dimensions Drawing**

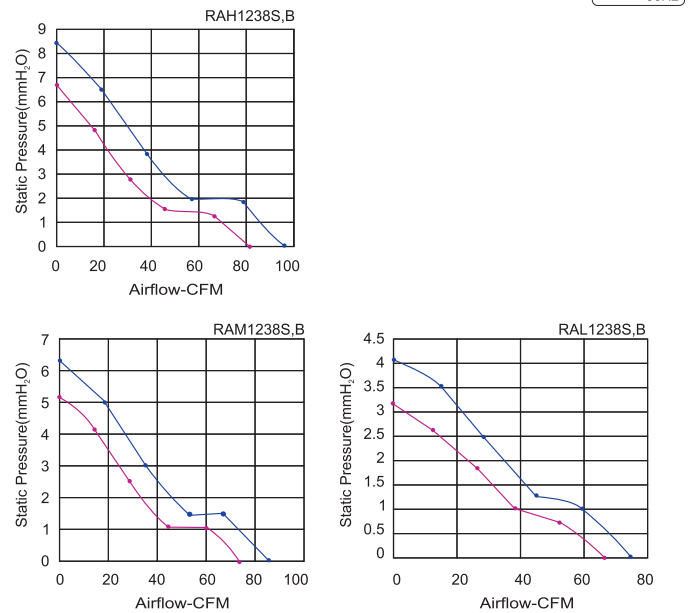


Unit: mm

**General Specification**

- Impeller : PBT UL94V-0 Reinforced Plastic
- Frame : Aluminum Alloy
- Terminals : 0.5mm
- Lead Wire : AWG#22 UL 1430(Optional)
- Motor : Shaded Pole Induction Motor
- Operation Temperature : -10°C~+70°C  
35%~85%RH
- Storage Temperature : -40°C~75°C  
35%~85%RH
- (220~240V)
- (100~125V)

**Performance Curves**



Model	Bearing System	Voltage VAC	Freq. Hz	Current A	Power W	Speed RPM	Noise dBA	Air Flow		Static Pressure (mmH <sub>2</sub> O)	Weight Gram
								M <sup>3</sup> /hr	CFM		
RAH1238S1	Sleeve	220~240	50/60	0.20	23/20	2600/3000	40/43	139/163	82/96	6.8/8.5	500
RAM1238S1		220~240	50/60	0.16	15/14	2400/2700	39/42	127/144	75/85	5.3/6.3	
RAL1238S1		220~240	50/60	0.10	10/9	2100/2400	35/39	114/127	67/75	3.1/4.1	
RAH1238S2		100~125	50/60	0.30	23/20	2600/3000	40/43	139/163	82/96	6.8/8.5	
RAM1238S2		100~125	50/60	0.25	15/14	2400/2700	39/42	127/144	75/85	5.3/6.3	
RAL1238S2		100~125	50/60	0.24	10/9	2100/2400	35/39	114/127	67/75	3.1/4.1	
RAH1238B1	Ball	220~240	50/60	0.20	23/20	2600/3000	41/44	139/163	82/96	6.8/8.5	
RAM1238B1		220~240	50/60	0.16	15/14	2400/2700	39/42	127/144	75/85	5.3/6.3	
RAL1238B1		220~240	50/60	0.10	10/9	2100/2400	35/39	114/127	67/75	3.1/4.1	
RAH1238B2		100~125	50/60	0.30	23/20	2600/3000	41/44	139/163	82/96	6.8/8.5	
RAM1238B2		100~125	50/60	0.25	15/14	2400/2700	39/42	127/144	75/85	5.3/6.3	
RAL1238B2		100~125	50/60	0.24	14/13	2100/2400	35/39	114/127	67/75	3.1/4.1	

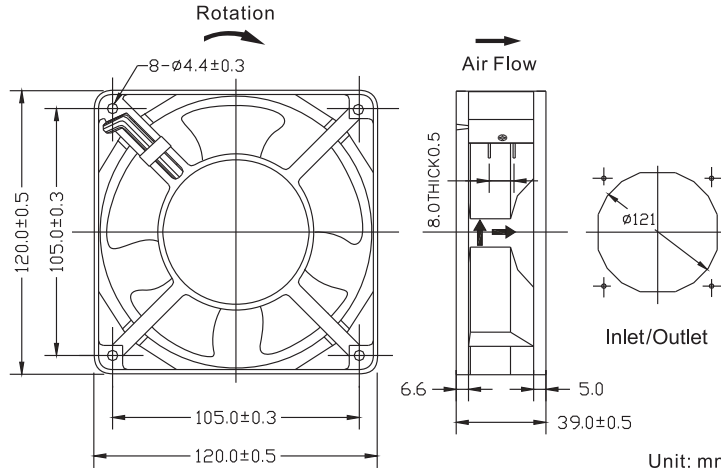
● All readings are typical values at rated voltage.  
● Specifications are subjected to change without prior notice.

**120x120x38 mm**

**A Series**



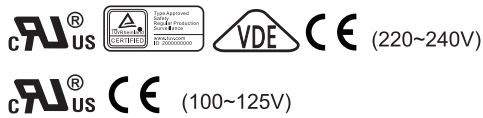
**Dimensions Drawing**



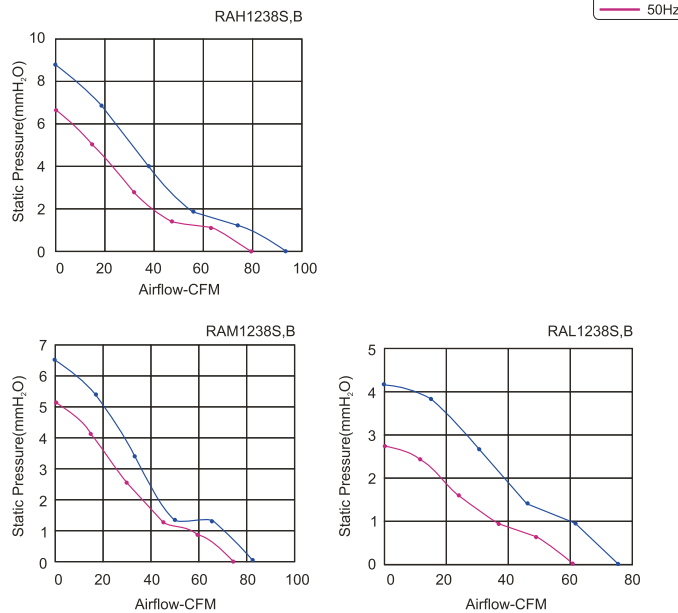
Unit: mm

**General Specification**

- Impeller : PBT UL94V-0 Reinforced Plastic
- Frame : PBT UL94V-0 Reinforced Plastic
- Terminals : 0.5mm
- Lead Wire : AWG#22 UL 1430(Optional)
- Motor : Shaded Pole Induction Motor
- Operation Temperature : -10°C~+65°C  
35%~85%RH
- Storage Temperature : -40°C~75°C  
35%~85%RH



**Performance Curves**

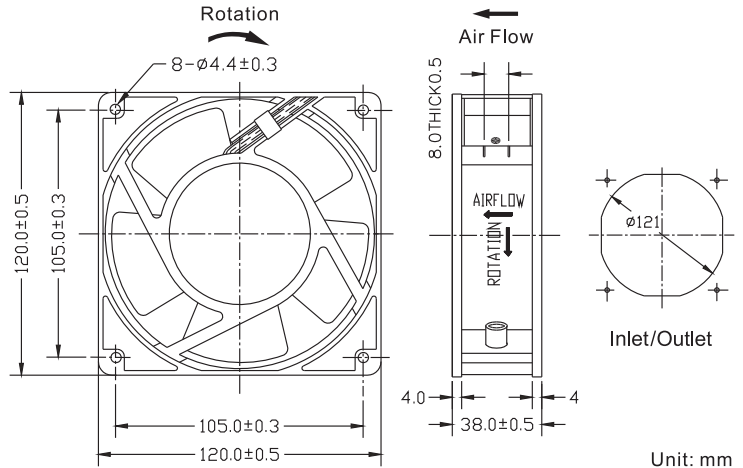


Model	Bearing System	Voltage VAC	Freq. Hz	Current A	Power W	Speed RPM	Noise dBA	Air Flow		Static Pressure (mmH <sub>2</sub> O)	Weight Gram
								M <sup>3</sup> /hr	CFM		
RAH1238S1(P5B)	Sleeve	220~240	50/60	0.20	23/20	2600/3000	42/44	134/160	79/94	6.8/8.8	450
RAM1238S1(P5B)		220~240	50/60	0.16	15/14	2400/2700	40/43	127/141	75/83	5.2/6.5	
RAL1238S1(P5B)		220~240	50/60	0.10	10/9	2000/2400	36/40	104/127	61/75	2.8/4.2	
RAH1238S2(P5B)		100~125	50/60	0.30	23/20	2600/3000	42/44	134/160	79/94	6.8/8.8	
RAM1238S2(P5B)		100~125	50/60	0.25	15/14	2400/2700	40/43	127/141	75/83	5.2/6.5	
RAL1238S2(P5B)		100~125	50/60	0.24	10/9	2000/2400	36/40	104/127	61/75	2.8/4.2	
RAH1238B1(P5B)	Ball	220~240	50/60	0.20	23/20	2600/3000	42/44	134/160	79/94	6.8/8.8	
RAM1238B1(P5B)		220~240	50/60	0.16	15/14	2400/2700	40/43	127/141	75/83	5.2/6.5	
RAL1238B1(P5B)		220~240	50/60	0.10	10/9	2000/2400	36/40	104/127	61/75	2.8/4.2	
RAH1238B2(P5B)		100~125	50/60	0.30	23/20	2600/3000	42/44	134/160	79/94	6.8/8.8	
RAM1238B2(P5B)		100~125	50/60	0.25	15/14	2400/2700	40/43	127/141	75/83	5.2/6.5	
RAL1238B2(P5B)		100~125	50/60	0.24	10/9	2000/2400	36/40	104/127	61/75	2.8/4.2	

● All readings are typical values at rated voltage.  
● Specifications are subjected to change without prior notice.



**Dimensions Drawing**

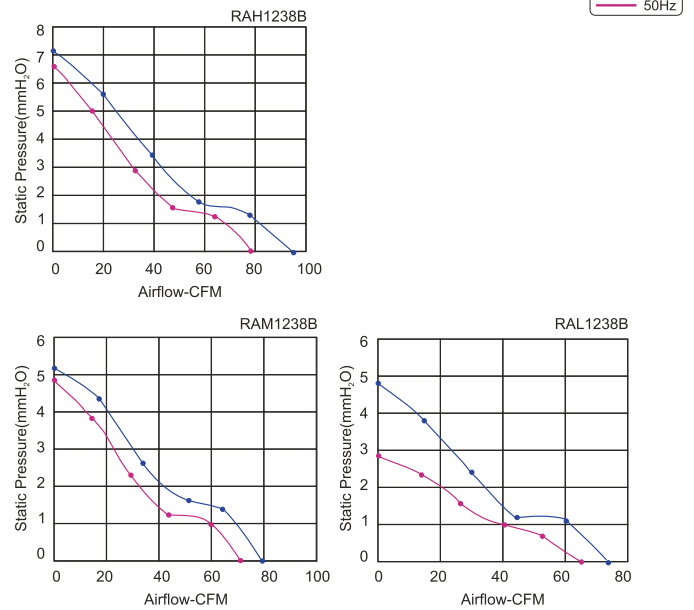


Unit: mm

**General Specification**

- Impeller : Metallic
- Frame : Aluminum Alloy
- Terminals : 0.5mm
- Lead Wire : AWG#22 UL 1430(Optional)
- Motor : Shaded Pole Induction Motor
- Operation Temperature : -10°C~+70°C  
35%~85%RH
- Storage Temperature : -40°C~75°C  
35%~85%RH
- (220~240V)
- (100~125V)

**Performance Curves**



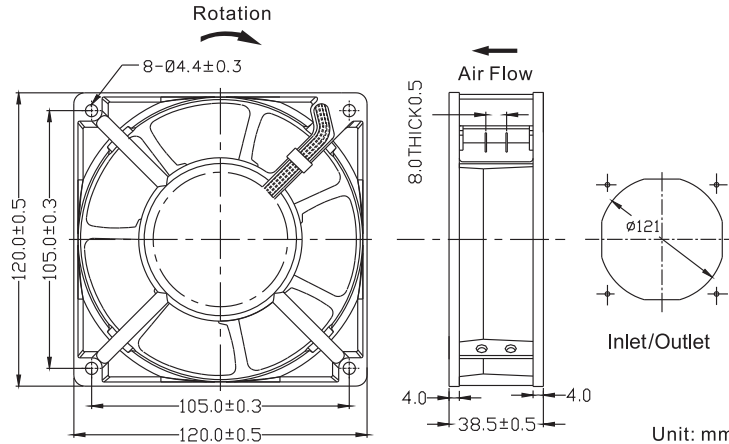
Model	Bearing System	Voltage VAC	Freq. Hz	Current A	Power W	Speed RPM	Noise dBA	Air Flow		Static Pressure (mmH <sub>2</sub> O)	Weight Gram
								M <sup>3</sup> /hr	CFM		
RAH1238B1(5BM)	Ball	220~240	50/60	0.20	23/20	2600/3000	41/45	134/163	79/96	6.6/7.0	620
RAM1238B1(5BM)		220~240	50/60	0.16	15/14	2400/2700	39/43	126/139	74/82	4.9/5.1	
RAL1238B1(5BM)		220~240	50/60	0.10	10/9	2100/2400	37/39	110/126	65/74	2.8/4.9	
RAH1238B2(5BM)		100~125	50/60	0.30	23/20	2600/3000	41/45	134/163	79/96	6.6/7.0	
RAM1238B2(5BM)		100~125	50/60	0.25	15/14	2400/2700	39/43	126/139	74/82	4.9/5.1	
RAL1238B2(5BM)		100~125	50/60	0.24	10/9	2100/2400	37/39	110/126	65/74	2.8/4.9	

● All readings are typical values at rated voltage.  
● Specifications are subjected to change without prior notice.

**120x120x38 mm**

**A Series**

**Dimensions Drawing**



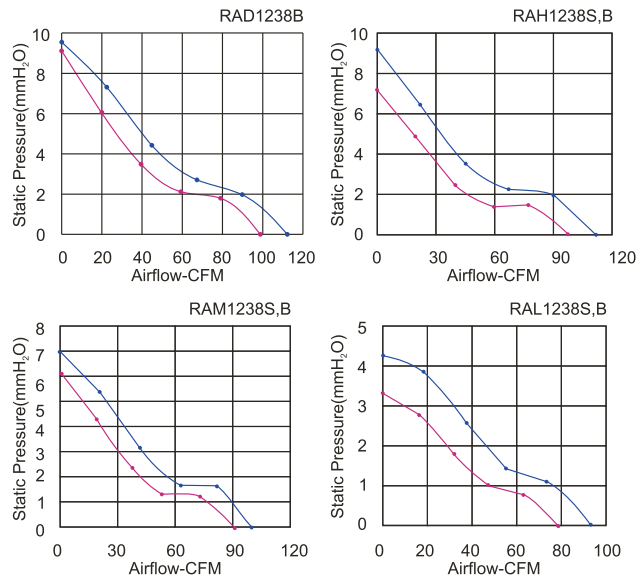
Unit: mm

**General Specification**

- Impeller : PBT UL94V-0 Reinforced Plastic
- Frame : Aluminum Alloy
- Terminals : 0.5mm
- Lead Wire : AWG#22 UL 1430(Optional)
- Motor : Shaded Pole Induction Motor
- Operation Temperature : -10°C~+70°C  
35%~85%RH
- Storage Temperature : -40°C~75°C  
35%~85%RH
- (220~240V)  
 (100~125V)

**Performance Curves**

Key  
— 60Hz  
— 50Hz

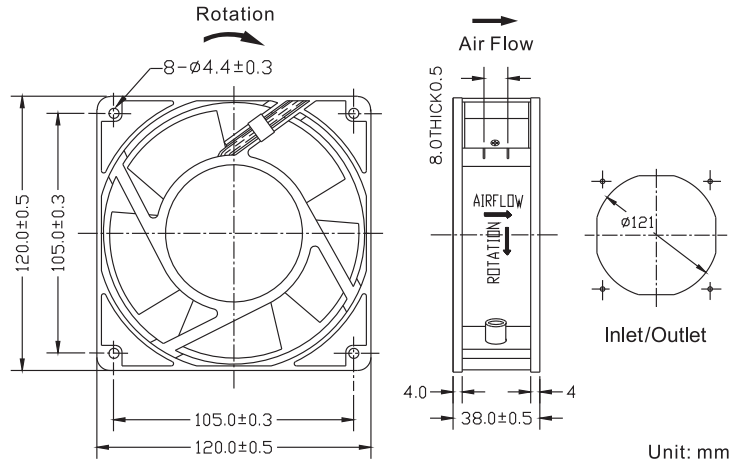


Model	Bearing System	Voltage VAC	Freq. Hz	Current A	Power W	Speed RPM	Noise dBA	Air Flow		Static Pressure (mmH <sub>2</sub> O)	Weight Gram
								M <sup>3</sup> /hr	CFM		
RAH1238S1(7B)	Sleeve	220~240	50/60	0.20	28/24	2600/3000	39/44	165/189	97/111	7.4/9.3	500
RAM1238S1(7B)		220~240	50/60	0.16	16/15	2450/2700	38/42	155/170	91/100	6.2/7.0	
RAL1238S1(7B)		220~240	50/60	0.10	12/11	2100/2450	35/40	133/155	78/91	3.5/4.3	
RAH1238S2(7B)		100~125	50/60	0.30	29/24	2600/3000	39/44	165/189	97/111	7.4/9.3	
RAM1238S2(7B)		100~125	50/60	0.25	19/17	2450/2700	38/42	155/170	91/100	6.2/7.0	
RAL1238S2(7B)		100~125	50/60	0.24	14/13	2100/2450	35/40	133/155	78/91	3.5/4.3	
RAD1238B1(7B)	Ball	220~240	50/60	0.20	28/24	2600/3000	39/44	168/190	99/112	9.1/9.5	
RAH1238B1(7B)		220~240	50/60	0.20	28/24	2600/3000	40/44	165/189	97/111	7.4/9.3	
RAM1238B1(7B)		220~240	50/60	0.16	16/15	2450/2700	39/42	155/170	91/100	6.2/7.0	
RAL1238B1(7B)		220~240	50/60	0.10	12/11	2100/2450	35/38	133/155	78/91	3.5/4.3	
RAD1238B2(7B)		100~125	50/60	0.30	29/24	2600/3000	39/44	168/190	99/112	9.1/9.5	
RAH1238B2(7B)		100~125	50/60	0.30	29/24	2600/3000	40/44	165/189	97/111	7.4/9.3	
RAM1238B2(7B)	100~125	50/60	0.25	19/17	2450/2700	39/42	155/170	91/100	6.2/7.0		
RAL1238B2(7B)	100~125	50/60	0.24	14/13	2100/2450	35/38	133/155	78/91	3.5/4.3		

● All readings are typical values at rated voltage.  
● Specifications are subjected to change without prior notice.



**Dimensions Drawing**



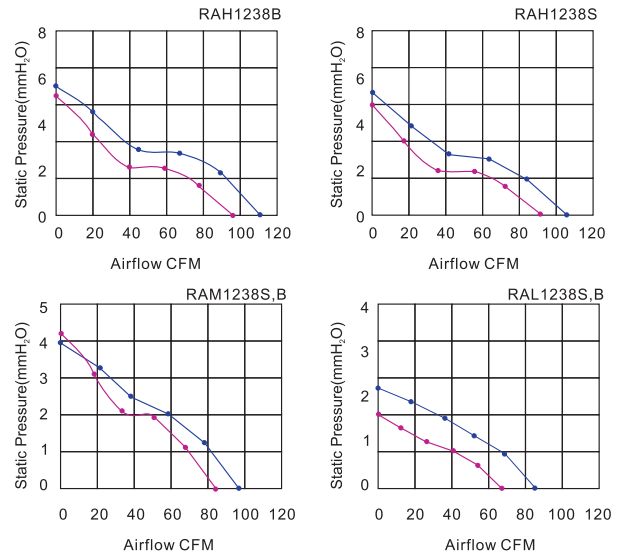
Unit: mm

**General Specification**

- Impeller : PBT UL94V-0 Reinforced Plastic
- Frame : Aluminum Alloy
- Lead Wire : AWG#22 UL 1430(Optional)
- Motor : Shaded Pole Induction Motor
- Operation Temperature :  $-10^{\circ}\text{C} \sim +70^{\circ}\text{C}$   
35%~85%RH
- Storage Temperature :  $-40^{\circ}\text{C} \sim +75^{\circ}\text{C}$   
35%~85%RH
- (220~240V)
- (100~125V)

**Performance Curves**

Key  
— 60Hz  
— 50Hz



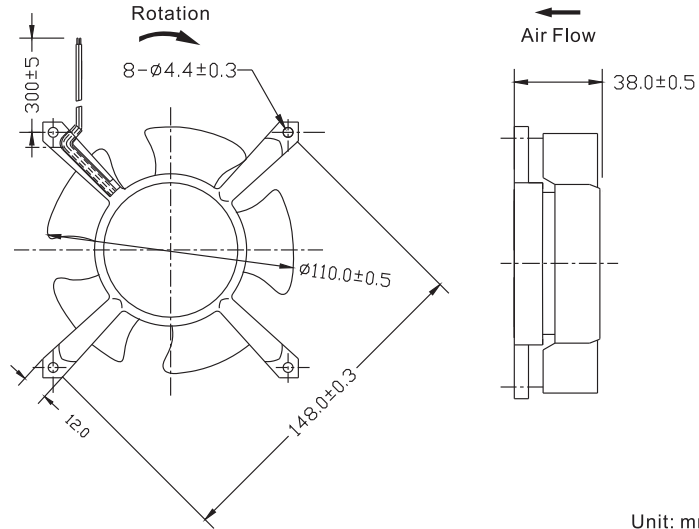
Model	Bearing System	Voltage VAC	Freq. Hz	Current A	Power W	Speed RPM	Noise dBA	Air Flow		Static Pressure (mmH <sub>2</sub> O)	Weight Gram
								M <sup>3</sup> /hr	CFM		
RAH1238S1(5R)	Sleeve	220~240	50/60	0.20	22/19	2600/2900	43/46	153/170	90/100	5.9/6.3	540
RAM1238S1(5R)		220~240	50/60	0.16	15/17	2450/2700	41/44	143/161	84/95	4.1/4.0	
RAL1238S1(5R)		220~240	50/60	0.10	10/12	2100/2400	35/40	119/143	70/84	2.1/2.7	
RAH1238S2(5R)		100~125	50/60	0.30	22/19	2600/2900	43/46	153/170	90/100	5.8/5.4	
RAM1238S2(5R)		100~125	50/60	0.25	15/17	2450/2700	41/44	143/161	84/95	4.1/4.0	
RAL1238S2(5R)		100~125	50/60	0.20	10/12	2100/2400	35/40	119/143	70/84	2.1/2.7	
RAH1238B1(5R)	Ball	220~240	50/60	0.20	22/19	2750/3150	46/50	164/192	96.5/113	6.7/7.0	
RAM1238B1(5R)		220~240	50/60	0.16	15/17	2450/2700	41/44	143/161	84/95	4.1/4.0	
RAL1238B1(5R)		220~240	50/60	0.10	10/12	2100/2400	35/40	119/143	70/84	2.1/2.7	
RAH1238B2(5R)		100~125	50/60	0.30	22/19	2750/3150	46/50	164/192	96.5/113	5.1/5.0	
RAM1238B2(5R)		100~125	50/60	0.25	15/17	2450/2700	41/44	143/161	84/95	4.1/4.0	
RAL1238B2(5R)		100~125	50/60	0.20	10/12	2100/2400	35/40	119/143	70/84	2.1/2.7	

- All readings are typical values at rated voltage.
- Specifications are subjected to change without prior notice.

**120x120x38 mm**

**A Series**

**Dimensions Drawing**



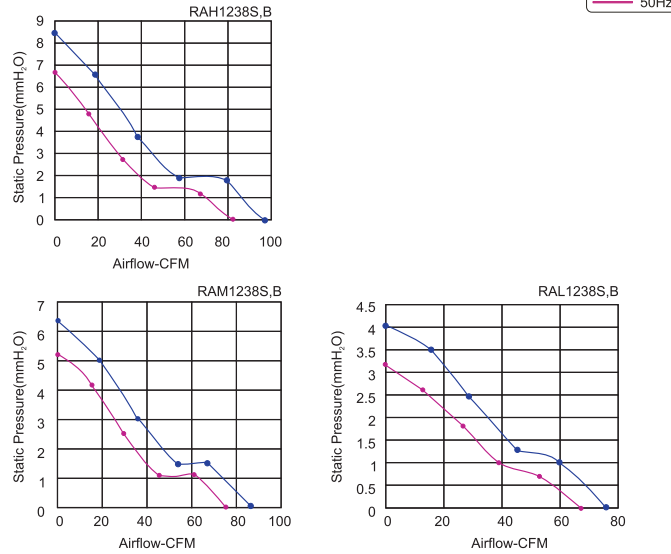
**General Specification**

- Impeller : PBT UL94V-0 Reinforced Plastic
- Frame : Aluminum Alloy
- Lead Wire : AWG#22 UL 1430(Optional)
- Motor : Shaded Pole Induction Motor
- Operation Temperature : -10°C~+70°C  
35%~85%RH
- Storage Temperature : -40°C~75°C  
35%~85%RH

- (220~240V)
- (100~125V)

Unit: mm

**Performance Curves**



Model	Bearing System	Voltage VAC	Freq. Hz	Current A	Power W	Speed RPM	Noise dBA	Air Flow		Static Pressure (mmH <sub>2</sub> O)	Weight Gram
								M <sup>3</sup> /hr	CFM		
RAH1238S1(5A)	Sleeve	220~240	50/60	0.20	23/20	2600/3000	40/43	139/163	82/96	6.8/8.5	390
RAM1238S1(5A)		220~240	50/60	0.16	15/14	2400/2700	39/42	127/144	75/85	5.3/6.3	
RAL1238S1(5A)		220~240	50/60	0.10	10/9	2100/2400	35/39	114/127	67/75	3.1/4.1	
RAH1238S2(5A)		100~125	50/60	0.30	23/20	2600/3000	40/43	139/163	82/96	6.8/8.5	
RAM1238S2(5A)		100~125	50/60	0.25	15/14	2400/2700	39/42	127/144	75/85	5.3/6.3	
RAL1238S2(5A)		100~125	50/60	0.20	10/9	2100/2400	35/39	114/127	67/75	3.1/4.1	
RAH1238B1(5A)	Ball	220~240	50/60	0.20	23/20	2600/3000	41/44	139/163	82/96	6.8/8.5	
RAM1238B1(5A)		220~240	50/60	0.16	15/14	2400/2700	39/42	127/144	75/85	5.3/6.3	
RAL1238B1(5A)		220~240	50/60	0.10	10/9	2100/2400	35/39	114/127	67/75	3.1/4.1	
RAH1238B2(5A)		100~125	50/60	0.30	23/20	2600/3000	41/44	139/163	82/96	6.8/8.5	
RAM1238B2(5A)		100~125	50/60	0.25	15/14	2400/2700	39/42	127/144	75/85	5.3/6.3	
RAL1238B2(5A)		100~125	50/60	0.20	10/9	2100/2400	35/39	114/127	67/75	3.1/4.1	

- All readings are typical values at rated voltage.
- Specifications are subjected to change without prior notice.

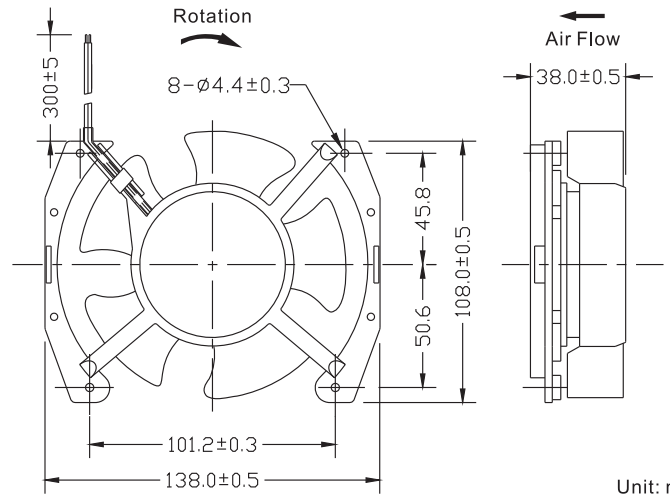




**General Specification**

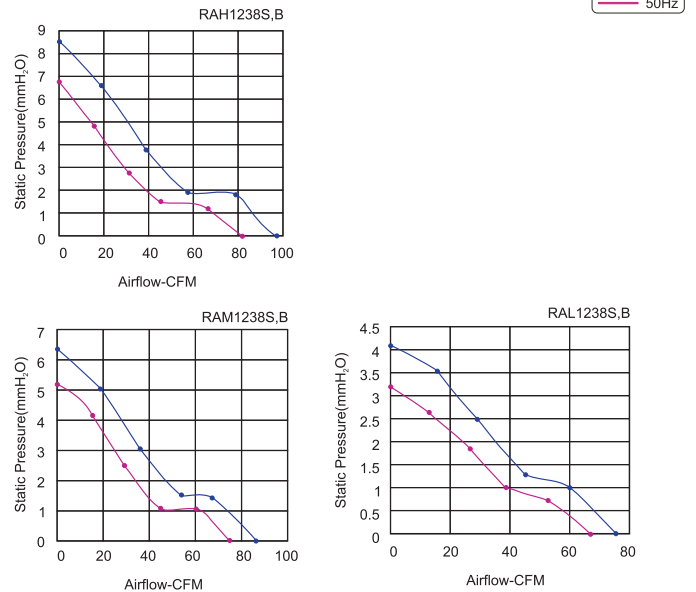
- Impeller : PBT UL94V-0 Reinforced Plastic
- Frame : Aluminum Alloy
- Terminals : 0,5mm
- Lead Wire : AWG#22 UL 1430(Optional)
- Motor : Shaded Pole Induction Motor
- Operation Temperature : -10°C~+70°C  
35%~85%RH
- Storage Temperature : -40°C~75°C  
35%~85%RH
- (220~240V)  
(100~125V)

**Dimensions Drawing**



Unit: mm

**Performance Curves**



Model	Bearing System	Voltage VAC	Freq. Hz	Current A	Power W	Speed RPM	Noise dBA	Air Flow		Static Pressure (mmH <sub>2</sub> O)	Weight Gram
								M <sup>3</sup> /hr	CFM		
RAH1238S1(5C)	Sleeve	220~240	50/60	0.20	23/20	2600/3000	40/43	139/163	82/96	6.8/8.5	420
RAM1238S1(5C)		220~240	50/60	0.16	15/14	2400/2700	39/42	127/144	75/85	5.3/6.3	
RAL1238S1(5C)		220~240	50/60	0.10	10/9	2100/2400	35/39	114/127	67/75	3.1/4.1	
RAH1238S2(5C)		100~125	50/60	0.30	23/20	2600/3000	40/43	139/163	82/96	6.8/8.5	
RAM1238S2(5C)		100~125	50/60	0.25	15/14	2400/2700	39/42	127/144	75/85	5.3/6.3	
RAL1238S2(5C)		100~125	50/60	0.20	10/9	2100/2400	35/39	114/127	67/75	3.1/4.1	
RAH1238B1(5C)	Ball	220~240	50/60	0.20	23/20	2600/3000	41/44	139/163	82/96	6.8/8.5	
RAM1238B1(5C)		220~240	50/60	0.16	15/14	2400/2700	39/42	127/144	75/85	5.3/6.3	
RAL1238B1(5C)		220~240	50/60	0.10	10/9	2100/2400	35/39	114/127	67/75	3.1/4.1	
RAH1238B2(5C)		100~125	50/60	0.30	23/20	2600/3000	41/44	139/163	82/96	6.8/8.5	
RAM1238B2(5C)		100~125	50/60	0.25	15/14	2400/2700	39/42	127/144	75/85	5.3/6.3	
RAL1238B2(5C)		100~125	50/60	0.20	10/9	2100/2400	35/39	114/127	67/75	3.1/4.1	

● All readings are typical values at rated voltage.  
● Specifications are subjected to change without prior notice.

**120x120x45 mm**

**A Series**



**General Specification**

- Impeller : PBT UL94V-0 Reinforced Plastic
- Frame : PBT UL94V-0 Reinforced Plastic
- Frame : Aluminum Alloy
- Lead Wire : AWG#22 UL 1430(Optional)
- Motor : Shaded Pole Induction Motor
- Operation Temperature : -10°C~+70°C  
35%~85%RH
- Storage Temperature : -40°C~75°C  
35%~85%RH

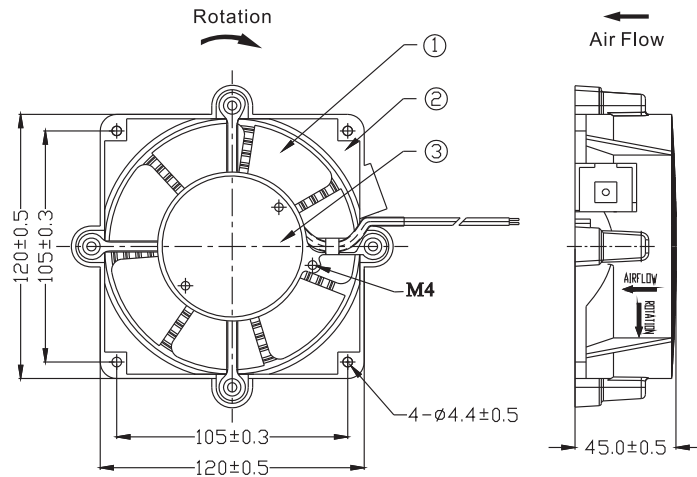


**CE** (220~240V)



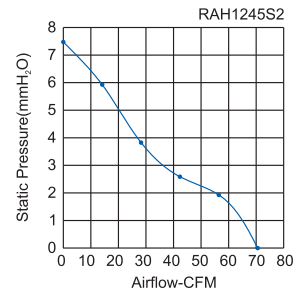
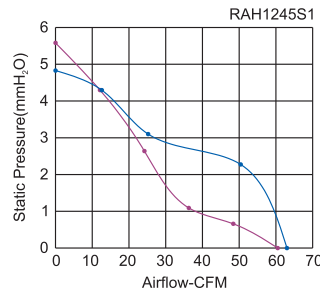
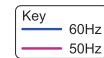
(100~125V)

**Dimensions Drawing**



Unit: mm

**Performance Curves**

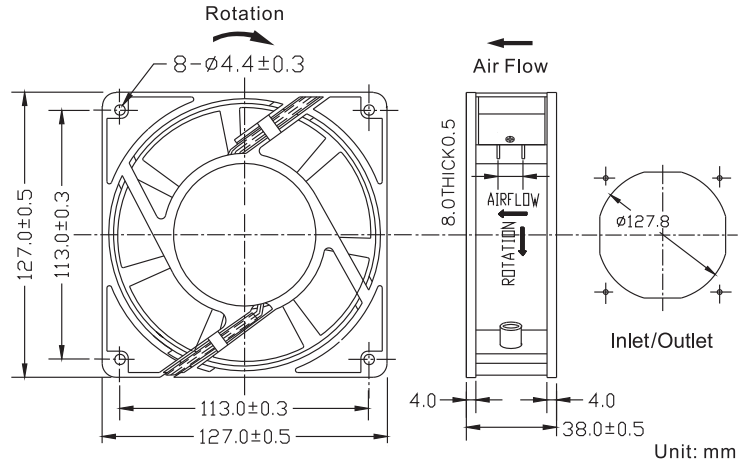


Model	Bearing System	Voltage VAC	Freq. Hz	Current A	Power W	Speed RPM	Noise dBA	Air Flow		Static Pressure (mmH <sub>2</sub> O)	Weight Gram
								M <sup>3</sup> /hr	CFM		
RAH1245S1	Sleeve	220~240	50/60	0.13/0.12	20/18	2400/2500	46/46.5	102/107	60/63	5.5/4.8	530
RAH1245S2		100~125	60	0.33	25	2900	48	119	70	7.4	

● All readings are typical values at rated voltage.  
● Specifications are subjected to change without prior notice.



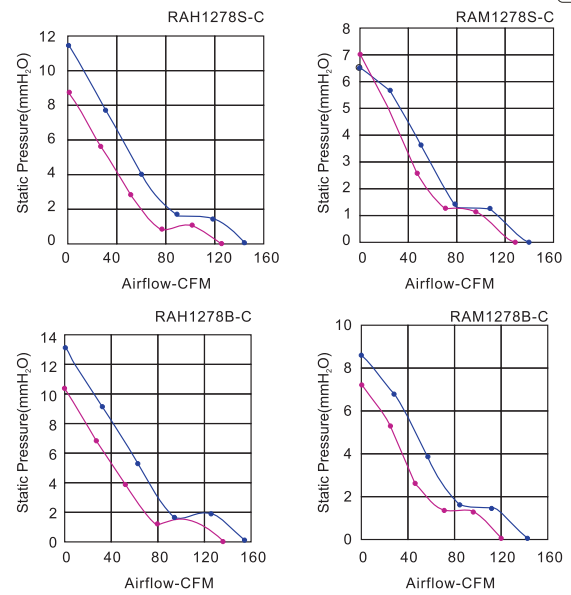
**Dimensions Drawing**



**General Specification**

- Impeller : PBT UL94V-0 Reinforced Plastic
- Frame : Aluminum Alloy
- Terminals : 0.5mm
- Lead Wire : AWG#24 UL 1430(Optional)
- Motor : Capacitor-Run Induction Motor
- Operation Temperature : -10°C~+65°C  
35%~85%RH
- Storage Temperature : -40°C~75°C  
35%~85%RH
- (220~240V)
- (100~125V)

**Performance Curves**



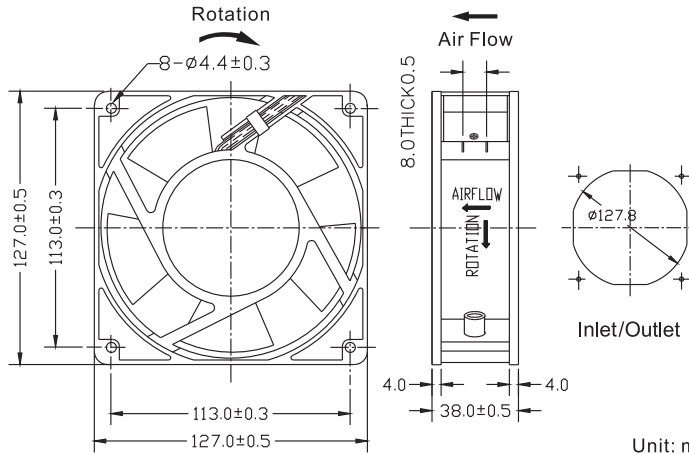
Model	Bearing System	Voltage VAC	Freq. Hz	Current A	Power W	Speed RPM	Noise dBA	Air Flow		Static Pressure (mmH <sub>2</sub> O)	Weight Gram
								M <sup>3</sup> /hr	CFM		
RAH1278S1-C	Sleeve	220~240	50/60	0.12/0.12	25/25	2600/3050	43/47	206/243	121/143	8.8/11.4	520
RAM1278S1-C		220~240	50/60	0.09/0.09	20/20	2500/2750	42/45	199/221	117/130	7.1/6.6	
RAH1278S2-C		100~125	50/60	0.21/0.21	25/25	2600/3050	43/47	206/243	121/143	8.8/11.4	
RAM1278S2-C		100~125	50/60	0.16/0.16	20/20	2500/2750	42/45	199/221	117/130	7.1/6.6	
RAH1278B1-C	Ball	220~240	50/60	0.12/0.12	25/25	2600/3050	45/49	206/243	132/151	10.3/13.0	
RAM1278B1-C		220~240	50/60	0.09/0.09	20/20	2500/2900	42/46	199/233	117/137	7.1/8.6	
RAH1278B2-C		100~125	50/60	0.21/0.21	25/25	2600/3050	45/49	224/257	132/151	10.3/13.0	
RAM1278B2-C		100~125	50/60	0.16/0.16	20/20	2500/2900	42/46	199/221	117/137	7.1/8.6	

● All readings are typical values at rated voltage.  
● Specifications are subjected to change without prior notice.

**127x127x38 mm**

**A Series**

**Dimensions Drawing**

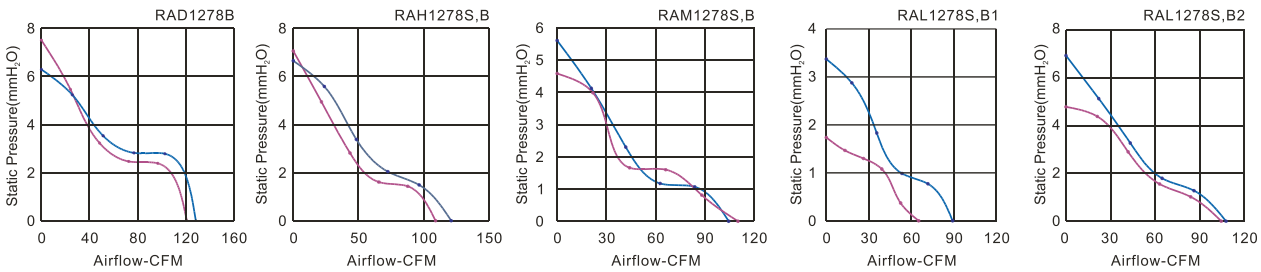


Unit: mm

**General Specification**

- Impeller : PBT UL94V-0 Reinforced Plastic
- Motor : Shaded Pole Induction Motor
- Frame : Aluminum Alloy
- Operation Temperature : -10°C~+70°C  
35%~85%RH
- Terminals : 0.5mm
- Storage Temperature : -40°C~75°C  
35%~85%RH
- Lead Wire : AWG#22 UL 1430(Optional)
- (220~240V) (100~125V)

**Performance Curves**



Model	Bearing System	Voltage VAC	Freq. Hz	Current A	Power W	Speed RPM	Noise dBA	Air Flow		Static Pressure (mmH <sub>2</sub> O)	Weight Gram
								M <sup>3</sup> /hr	CFM		
RAH1278S1	Sleeve	220~240	50/60	0.17/0.14	24/21	2500/2800	43/45	183/205	108/121	6.8/6.5	540
RAM1278S1		220~240	50/60	0.12/0.10	20/19	2350/2550	41/43	176/187	104/110	5.6/4.6	
RAL1278S1		220~240	50/60	0.08/0.07	12/11	2050/1450	39/30	153/110	90/65	3.4/1.7	
RAH1278S2		100~125	50/60	0.34/0.30	23/20	2500/2800	43/45	183/205	108/121	6.8/6.5	
RAM1278S2		100~125	50/60	0.29/0.26	20/19	2350/2550	41/43	176/187	104/110	5.6/4.6	
RAL1278S2		100~125	50/60	0.28/0.25	19/17	2400/2350	41/41	182/178	107/105	6.0/4.2	
RAD1278B1	Ball	220~240	50/60	0.17/0.17	24/21	2700/3000	44/46	198/220	117/130	6.8/6.5	
RAH1278B1		220~240	50/60	0.17/0.14	24/21	2500/2800	44/46	183/205	108/121	6.8/6.5	
RAM1278B1		220~240	50/60	0.12/0.10	20/19	2350/2550	41/43	176/187	104/110	5.6/4.6	
RAL1278B1		220~240	50/60	0.08/0.07	12/11	2050/1450	39/30	153/110	90/65	3.4/1.7	
RAD1278B2		100~125	50/60	0.34/0.30	23/20	2700/3000	44/46	198/220	117/130	6.8/6.5	
RAH1278B2		100~125	50/60	0.34/0.30	23/20	2500/2800	44/46	183/205	108/121	6.8/6.5	
RAM1278B2	100~125	50/60	0.29/0.26	20/19	2350/2550	41/43	176/187	104/110	5.6/4.6		
RAL1278B2	100~125	50/60	0.28/0.25	19/17	2400/2350	41/41	182/178	107/105	6.0/4.2		

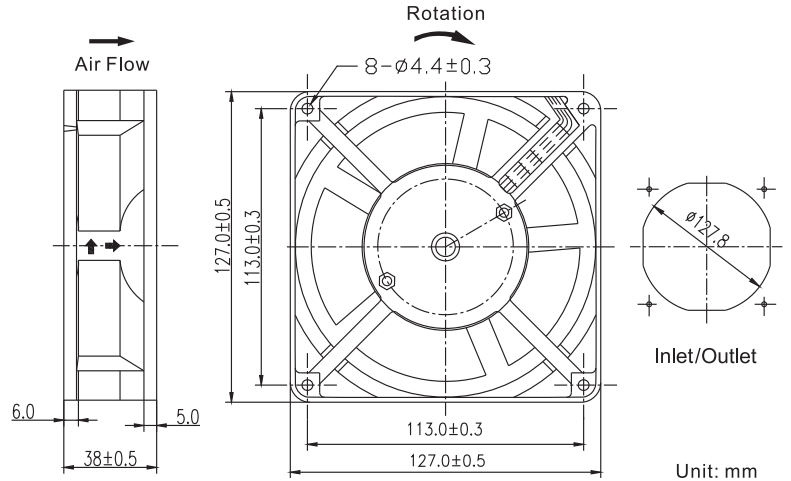
- All readings are typical values at rated voltage.
- Specifications are subjected to change without prior notice.



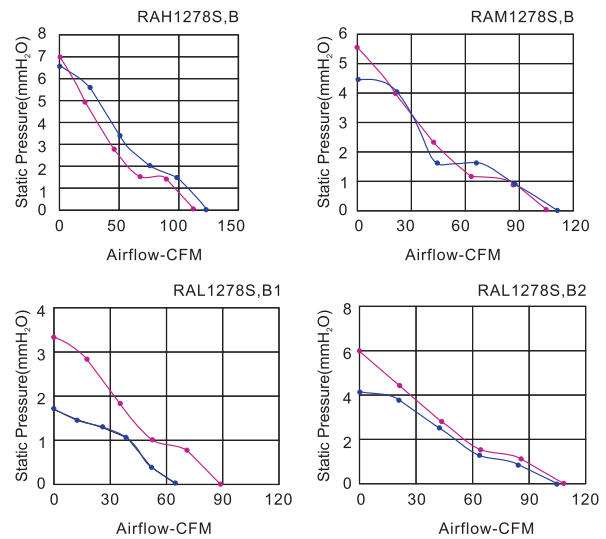
**General Specification**

- Impeller : PBT UL94V-0 Reinforced Plastic
- Frame : PBT UL94V-0 Reinforced Plastic
- Terminals : 0.5mm
- Lead Wire : AWG#22 UL 1430(Optional)
- Motor : Shaded Pole Induction Motor
- Operation Temperature : -10°C~+50°C  
35%~85%RH
- Storage Temperature : -40°C~75°C  
35%~85%RH
- (220~240V)  
 (100~125V)

**Dimensions Drawing**



**Performance Curves**



Model	Bearing System	Voltage VAC	Freq. Hz	Current A	Power W	Speed RPM	Noise dBA	Air Flow		Static Pressure (mmH <sub>2</sub> O)	Weight Gram
								M <sup>3</sup> /hr	CFM		
RAH1278S1(P5B)	Sleeve	220~240	50/60	0.17/0.14	24/21	2500/2800	43/45	183/205	108/121	6.8/6.5	460
RAM1278S1(P5B)		220~240	50/60	0.12/0.10	20/19	2350/2550	41/43	176/187	104/110	5.6/4.6	
RAL1278S1(P5B)		220~240	50/60	0.08/0.07	12/11	2050/1450	39/30	153/110	90/65	3.4/1.7	
RAH1278S2(P5B)		100~125	50/60	0.34/0.30	23/20	2500/2800	43/45	183/205	108/121	6.8/6.5	
RAM1278S2(P5B)		100~125	50/60	0.29/0.26	20/19	2350/2550	41/43	176/187	104/110	5.6/4.6	
RAL1278S2(P5B)		100~125	50/60	0.28/0.25	19/17	2400/2350	41/41	182/178	107/105	6.0/4.2	
RAH1278B1(P5B)	Ball	220~240	50/60	0.17/0.14	24/21	2500/2800	44/46	183/205	108/121	6.8/6.5	
RAM1278B1(P5B)		220~240	50/60	0.12/0.10	20/19	2350/2550	41/43	176/187	104/110	5.6/4.6	
RAL1278B1(P5B)		220~240	50/60	0.08/0.07	12/11	2050/1450	39/30	153/110	90/65	3.4/1.7	
RAH1278B2(P5B)		100~125	50/60	0.34/0.30	25/22	2500/2800	44/46	183/205	108/121	6.8/6.5	
RAM1278B2(P5B)		100~125	50/60	0.29/0.26	20/19	2350/2550	41/43	176/187	104/110	5.6/4.6	
RAL1278B2(P5B)		100~125	50/60	0.28/0.25	19/17	2400/2350	41/41	182/178	107/105	6.0/4.2	

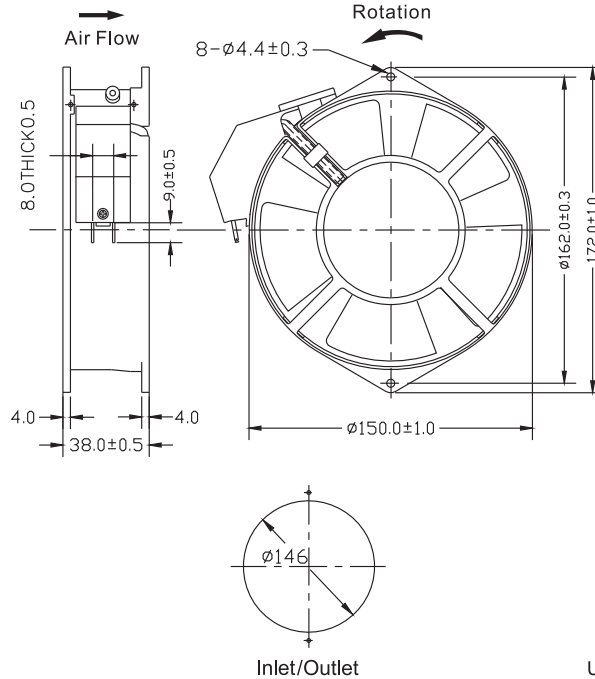
● All readings are typical values at rated voltage.  
● Specifications are subjected to change without prior notice.

Ø 150 x 38 mm

A Series



**Dimensions Drawing**



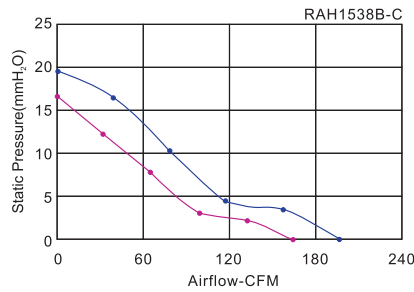
**General Specification**

- Impeller : PBT UL94V-0 Reinforced Plastic
- Frame : Aluminum Alloy
- Terminals : 0.5mm
- Lead Wire : AWG#22 UL 1015(Optional)
- Motor : Capacitor-Run Induction Motor
- Operation Temperature : -10°C~+70°C  
35%~85%RH
- Storage Temperature : -40°C~75°C  
35%~85%RH

- (220~240V) (220~240V)
- (100~125V)

Unit: mm

**Performance Curves**



Model	Bearing System	Voltage VAC	Freq. Hz	Current A	Power W	Speed RPM	Noise dBA	Air Flow		Static Pressure (mmH <sub>2</sub> O)	Weight Gram
								M <sup>3</sup> /hr	CFM		
RAH1538B1-C	Ball	220~240	50/60	0.16/0.17	36/35	2850/3400	57/61	282/336	166/198	16.7/19.5	710
RAH1538B2-C		100~125	50/60	0.25/0.26	30/31	2850/3400	57/61	282/336	166/198	16.7/19.5	

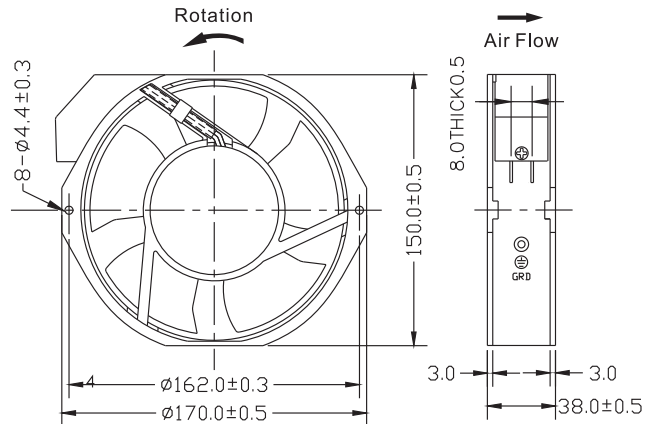
● All readings are typical values at rated voltage.  
● Specifications are subjected to change without prior notice.

Ø 170 x 38 mm

A Series

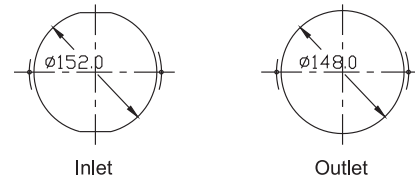


**Dimensions Drawing**



**General Specification**

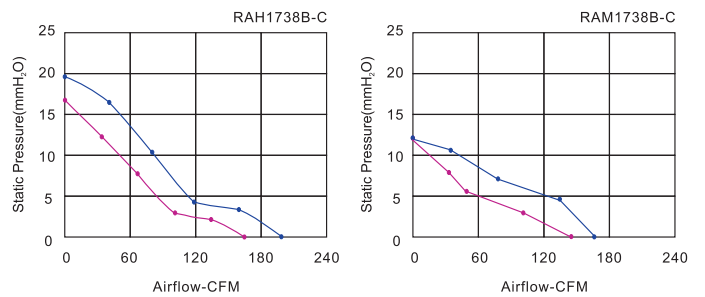
- Impeller : PBT UL94V-0 Reinforced Plastic
- Frame : Aluminum Alloy
- Terminals : 0,5mm
- Lead Wire : AWG#22 UL 1015(Optional)
- Motor : Capacitor-Run Induction Motor
- Operation Temperature : -10°C~+70°C  
35%~85%RH
- Storage Temperature : -40°C~75°C  
35%~85%RH



Unit: mm

**Performance Curves**

Key  
— 60Hz  
— 50Hz



- (220~240V)
- (100~125V)

Model	Bearing System	Voltage VAC	Freq. Hz	Current A	Power W	Speed RPM	Noise dBA	Air Flow		Static Pressure (mmH <sub>2</sub> O)	Weight Gram
								M <sup>3</sup> /hr	CFM		
RAH1738B1-C	Ball	220~240	50/60	0.16/0.17	36/35	2850/3400	57/61	282/336	166/198	16.7/19.5	760
RAM1738B1-C		220~240	50/60	0.11/0.12	28/29	2500/2800	55/58	248/280	146/165	12/12	
RAH1738B2-C		100~125	50/60	0.25/0.26	30/31	2850/3400	57/61	282/336	166/198	16.7/19.5	
RAM1738B2-C		100~125	50/60	0.17/0.18	28/29	2500/2800	55/58	248/280	146/165	12/12	

- All readings are typical values at rated voltage.
- Specifications are subjected to change without prior notice.

Ø 170 x 47 mm

A Series



### General Specification

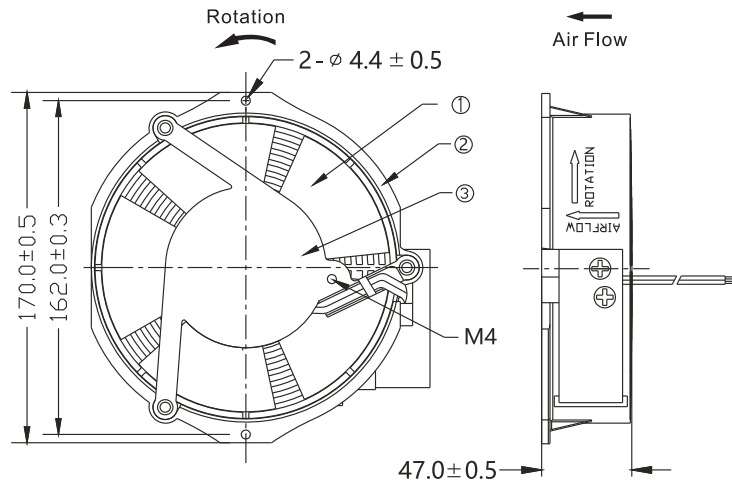
- Impeller : PBT UL94V-0 Reinforced Plastic
- Frame : PBT UL94V-0 Reinforced Plastic
- Frame : Aluminum Alloy
- Lead Wire : AWG#22 UL 1015(Optional)
- Motor : Capacitor-Run Induction Motor
- Operation Temperature : -10°C~+65°C  
35%~85%RH
- Storage Temperature : -40°C~75°C  
35%~85%RH



CE (220~240V)

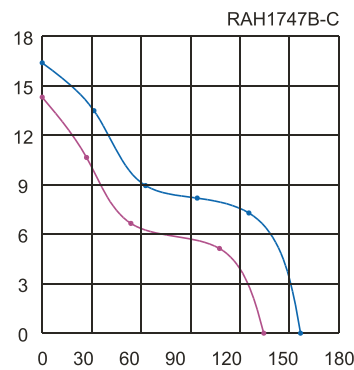
RAI<sup>®</sup> US (100~125V)

### Dimensions Drawing



Unit: mm

### Performance Curves



Key  
— 60Hz  
— 50Hz

Model	Bearing System	Voltage VAC	Freq. Hz	Current A	Power W	Speed RPM	Noise dBA	Air Flow		Static Pressure (mmH <sub>2</sub> O)	Weight Gram
								M <sup>3</sup> /hr	CFM		
RAH1747B1-C	Ball	220~240	50/60	0.15/0.15	33/34	2850/3400	58/64	266/255	127/150	14.9/16	800
RAH1747B2-C		100~125	60	0.32	36	3400	64	255	150	16.5	

- All readings are typical values at rated voltage.
- Specifications are subjected to change without prior notice.

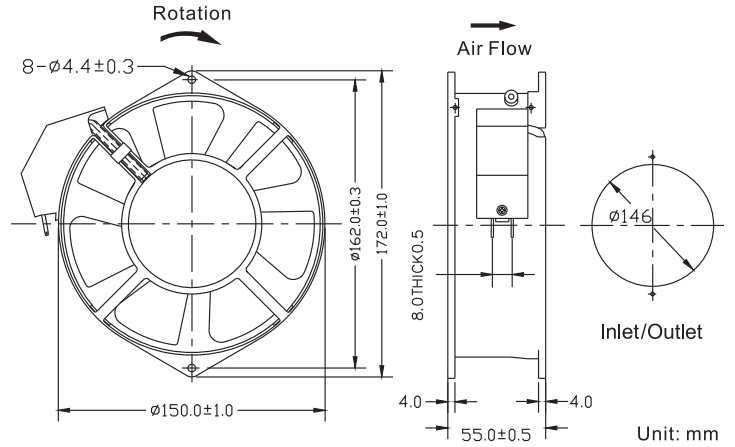


Ø 150 x 55 mm


A Series



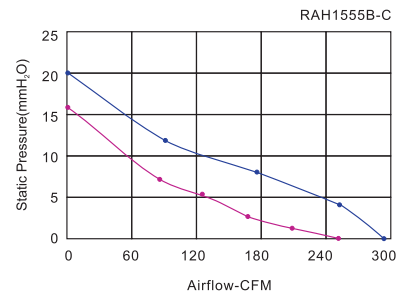
**Dimensions Drawing**



**General Specification**

- Impeller : PBT UL94V-0 Reinforced Plastic
- Frame : Aluminum Alloy
- Terminals : 0.5mm
- Lead Wire : AWG#22 UL 1015(Optional)
- Motor : Capacitor-Run Induction Motor
- Operation Temperature : -10°C~+65°C  
35%~85%RH
- Storage Temperature : -40°C~75°C  
35%~85%RH
- 

**Performance Curves**



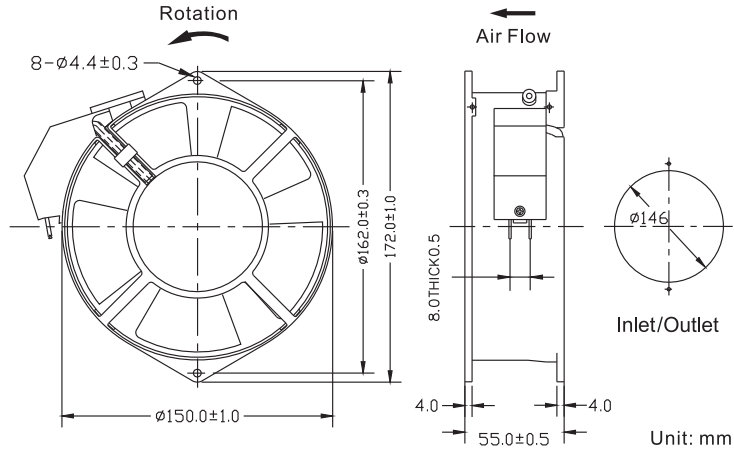
Model	Bearing System	Voltage VAC	Freq. Hz	Current A	Power W	Speed RPM	Noise dBA	Air Flow		Static Pressure (mmH <sub>2</sub> O)	Weight Gram
								M <sup>3</sup> /hr	CFM		
RAH1555B1-C	Ball	220~240	50/60	0.20/0.22	46/50	2850/3300	56/61	425/498	250/293	16.0/20.0	870
RAH1555B2-C		100~125	50/60	0.35/0.40	46/50	2850/3300	56/61	425/498	250/293	16.0/20.0	

● All readings are typical values at rated voltage.  
● Specifications are subjected to change without prior notice.

Ø 150 x 55 mm

A Series

**Dimensions Drawing**

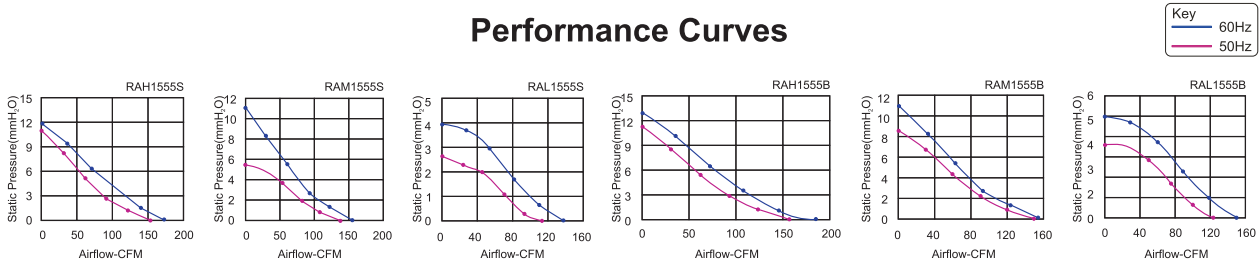


Unit: mm

**General Specification**

- Impeller : PBT UL94V-0 Reinforced Plastic
- Frame : Aluminum Alloy
- Terminals : 0.5mm
- Lead Wire : AWG#22 UL 1015(Optional)
- Motor : Shaded Pole Induction Motor
- Operation Temperature : -10°C~+65°C  
35%~85%RH
- Storage Temperature : -40°C~75°C  
35%~85%RH
- **cULus** **CE** (220~240V)
- **cULus** (100~125V)

**Performance Curves**



Model	Bearing System	Voltage VAC	Freq. Hz	Current A	Power W	Speed RPM	Noise dBA	Air Flow		Static Pressure (mmH <sub>2</sub> O)	Weight Gram
								M <sup>3</sup> /hr	CFM		
RAH1555S1	Sleeve	220~240	50/60	0.40	47/41	2650/3000	51/55	257/292	151/172	11.0/11.8	890
RAM1555S1		220~240	50/60	0.30	28/27	2400/2700	48/51	232/260	137/153	5.5/11.0	
RAL1555S1		220~240	50/60	0.20	20/20	2000/2400	43/48	195/232	115/137	2.6/3.9	
RAH1555S2		100~125	50/60	0.60	47/41	2650/3000	51/55	257/292	151/172	11.0/11.8	
RAM1555S2		100~125	50/60	0.50	28/27	2400/2700	48/51	232/260	137/153	5.5/11.0	
RAL1555S2		100~125	50/60	0.40	20/20	2000/2400	43/48	195/232	115/137	2.6/3.9	
RAH1555B1	Ball	220~240	50/60	0.40	47/41	2700/3100	52/56	263/308	155/181	11.6/13.3	
RAM1555B1		220~240	50/60	0.30	28/27	2500/2700	50/52	253/260	149/153	8.6/11.0	
RAL1555B1		220~240	50/60	0.20	20/20	2100/2500	45/50	209/253	123/149	3.6/4.9	
RAH1555B2		100~125	50/60	0.60	47/41	2700/3100	52/56	263/308	155/181	11.6/13.3	
RAM1555B2		100~125	50/60	0.50	28/27	2500/2700	50/52	253/260	149/153	8.6/11.0	
RAL1555B2		100~125	50/60	0.40	20/20	2100/2500	45/50	209/253	123/149	3.6/4.9	

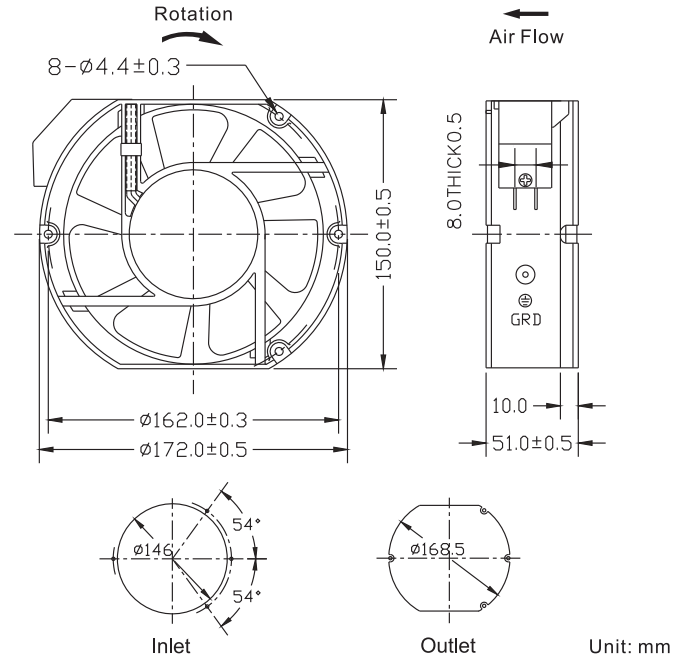
● All readings are typical values at rated voltage.  
● Specifications are subjected to change without prior notice.

**172x150x51 mm**

**A Series**



**Dimensions Drawing**

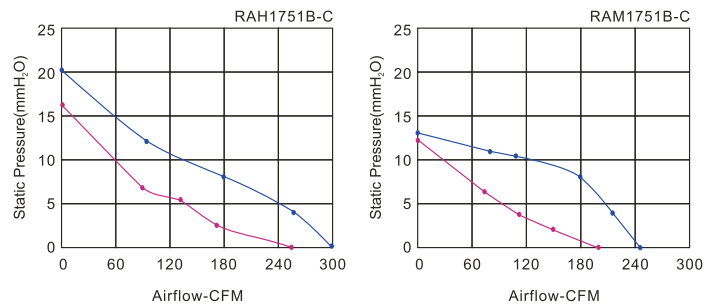


**General Specification**

- Impeller : PBT UL94V-0 Reinforced Plastic
- Frame : Aluminum Alloy
- Terminals : 0.5mm
- Lead Wire : AWG#22 UL 1015(Optional)
- Motor : Capacitor-Run Induction Motor
- Operation Temperature :  $-10^{\circ}\text{C} \sim +65^{\circ}\text{C}$   
35%~85%RH
- Storage Temperature :  $-40^{\circ}\text{C} \sim +75^{\circ}\text{C}$   
35%~85%RH



**Performance Curves**



Model	Bearing System	Voltage VAC	Freq. Hz	Current A	Power W	Speed RPM	Noise dBA	Air Flow		Static Pressure (mmH <sub>2</sub> O)	Weight Gram
								M <sup>3</sup> /hr	CFM		
RAH1751B1-C	Ball	220~240	50/60	0.20/0.22	46/50	2850/3300	56/61	425/498	250/293	16.0/20.0	970
RAM1751B1-C		220~240	50/60	0.14/0.15	42/43	2500/2800	53/55	357/417	210/245	12.0/12.0	
RAH1751B2-C		100~125	50/60	0.35/0.40	46/50	2850/3300	56/61	425/498	250/293	16.0/20.0	
RAM1751B2-C		100~125	50/60	0.26/0.29	39/40	2500/2800	53/55	357/417	210/245	12.0/13.0	
RAH1751B1-C1	Ball	220~240	50/60	0.20/0.22	46/50	2850/3300	56/61	425/498	250/293	16.0/20.0	
RAM1751B1-C1		220~240	50/60	0.14/0.15	42/43	2500/2800	53/55	357/417	210/245	12.0/12.0	
RAH1751B2-C1		100~125	50/60	0.35/0.40	46/50	2850/3300	56/61	425/498	250/293	16.0/20.0	
RAM1751B2-C1		100~125	50/60	0.26/0.29	39/40	2500/2800	53/55	357/417	210/245	12.0/13.0	

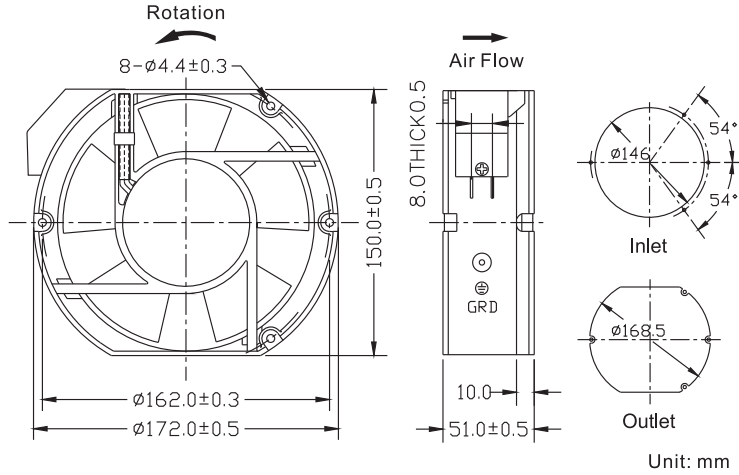
● All readings are typical values at rated voltage.  
● Specifications are subjected to change without prior notice.

**172x150x51 mm**

**A Series**



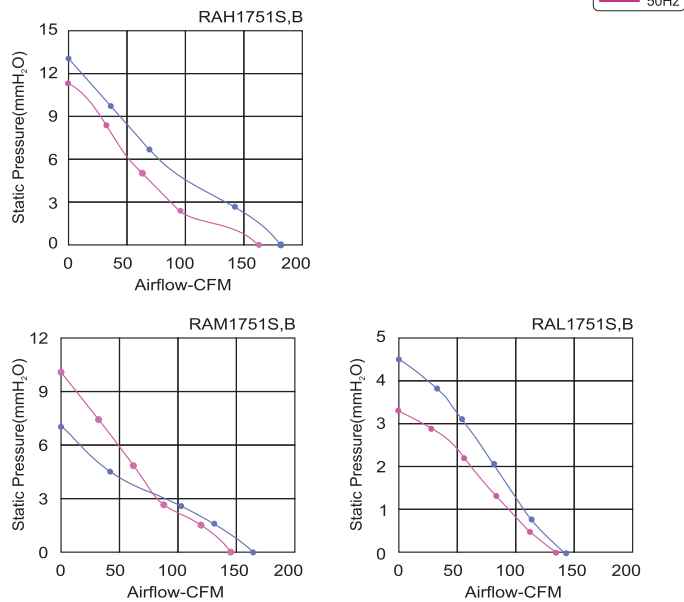
**Dimensions Drawing**



**General Specification**

- Impeller : PBT UL94V-0 Reinforced Plastic
- Frame : Aluminum Alloy
- Terminals : 0.5mm
- Lead Wire : AWG#22 UL 1050(Optional)
- Motor : Shaded Pole Induction Motor
- Operation Temperature : -10°C~+70°C  
35%~85%RH
- Storage Temperature : -40°C~75°C  
35%~85%RH
- (220~240V)
- (100~125V)

**Performance Curves**



Model	Bearing System	Voltage VAC	Freq. Hz	Current A	Power W	Speed RPM	Noise dBA	Air Flow		Static Pressure (mmH <sub>2</sub> O)	Weight Gram
								M <sup>3</sup> /hr	CFM		
RAH1751S1	Sleeve	220~240	50/60	0.40	47/41	2700/3000	51/55	272/306	160/180	11.3/13	880
RAM1751S1		220~240	50/60	0.30	28/27	2500/2700	49/51	252/272	148/160	9.9/7.0	
RAL1751S1		220~240	50/60	0.20	20/20	2200/2400	45/47	233/240	137/141	3.4/4.6	
RAH1751S2		100~125	50/60	0.60	47/41	2700/3000	51/55	272/306	160/180	11.3/13	
RAM1751S2		100~125	50/60	0.50	28/27	2500/2700	49/51	252/272	148/160	9.9/7.0	
RAL1751S2		100~125	50/60	0.40	20/20	2000/2400	45/47	233/240	137/141	3.4/4.6	
RAH1751B1	Ball	220~240	50/60	0.40	47/41	2700/3000	51/55	272/306	160/180	11.3/13	
RAM1751B1		220~240	50/60	0.30	28/27	2500/2700	49/51	252/272	148/160	9.9/7.0	
RAL1751B1		220~240	50/60	0.20	20/20	2200/2400	45/47	233/240	137/141	3.4/4.6	
RAH1751B2		100~125	50/60	0.60	47/41	2700/3000	51/55	272/306	160/180	11.3/13	
RAM1751B2		100~125	50/60	0.50	28/27	2500/2700	49/51	252/272	148/160	9.9/7.0	
RAL1751B2		100~125	50/60	0.40	20/20	2200/2400	45/47	233/240	137/141	3.4/4.6	

● All readings are typical values at rated voltage.  
● Specifications are subjected to change without prior notice.

Ø 172 x 59 mm

A Series

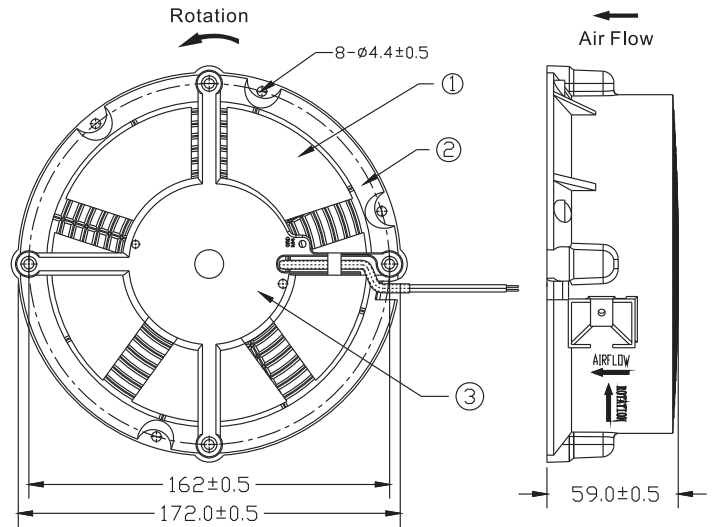


**General Specification**

- Impeller : PBT UL94V-0 Reinforced Plastic
- Frame : PBT UL94V-0 Reinforced Plastic
- Frame : Aluminum Alloy
- Lead Wire : AWG#22 UL 1015(Optional)
- Motor : Shaded Pole Induction Motor
- Operation Temperature : -10°C~+70°C  
35%~85%RH
- Storage Temperature : -40°C~75°C  
35%~85%RH

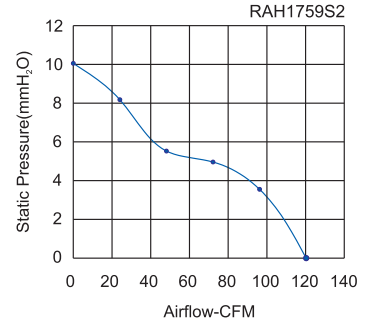
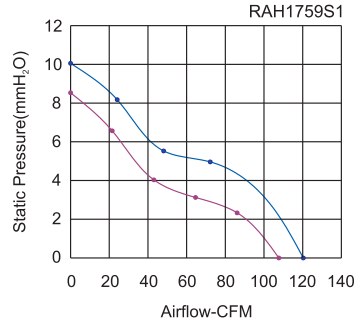
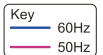


**Dimensions Drawing**



Unit: mm

**Performance Curves**



Model	Bearing System	Voltage VAC	Freq. Hz	Current A	Power W	Speed RPM	Noise dBA	Air Flow		Static Pressure (mmH <sub>2</sub> O)	Weight Gram
								M <sup>3</sup> /hr	CFM		
RAH1759S1	Sleeve	220~240	50/60	0.26/0.23	36/35	2600/3000	54/57	195/214	115/126	9.29/9.75	1160
RAH1759S2		100~125	60	0.6	39	3000	57	214.0	126	10.16	

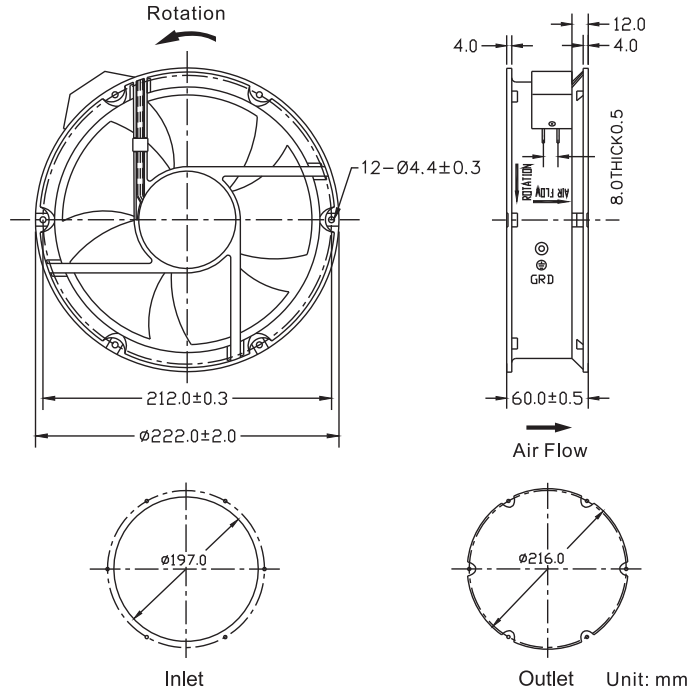
- All readings are typical values at rated voltage.
- Specifications are subjected to change without prior notice.

Ø 222 x 60 mm

A Series

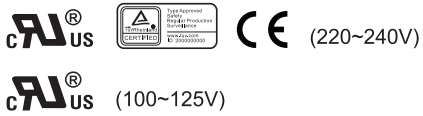


**Dimensions Drawing**

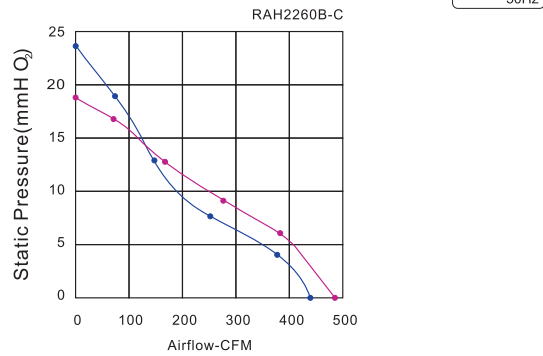


**General Specification**

- Impeller : PBT UL94V-0 Reinforced Plastic
- Frame : Aluminum Alloy
- Terminals : 0.5mm
- Lead Wire : AWG#22 UL 1015(Optional)
- Motor : Capacitor-Run Induction Motor
- Operation Temperature : -10°C~+65°C  
35%~85%RH
- Storage Temperature : -40°C~75°C  
35%~85%RH



**Performance Curves**



Model	Bearing System	Voltage VAC	Freq. Hz	Current A	Power W	Speed RPM	Noise dBA	Air Flow		Static Pressure (mmH <sub>2</sub> O)	Weight Gram
								M <sup>3</sup> /hr	CFM		
RAH2260B1-C	Ball	220~240	50/60	0.25/0.26	50/60	2800/3200	59/62	730/824	430/485	24/18	1540
RAH2260B2-C		100~125	50/60	0.42/0.46	50/56	2800/3200	59/62	730/824	430/485	24/18	

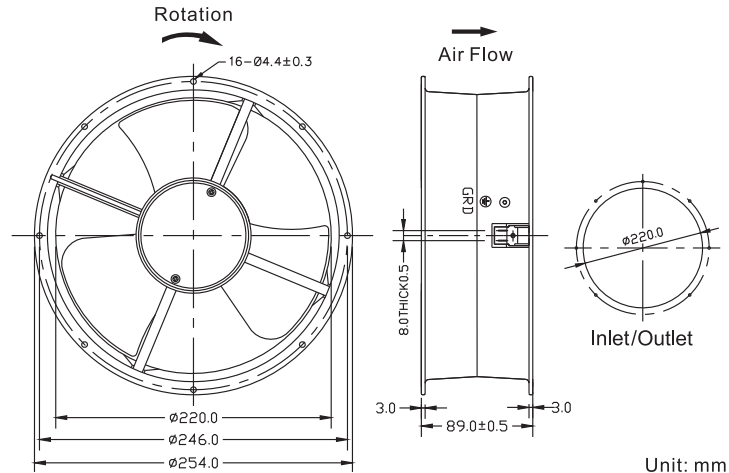
● All readings are typical values at rated voltage.  
● Specifications are subjected to change without prior notice.

Ø 254 x 89 mm

A Series



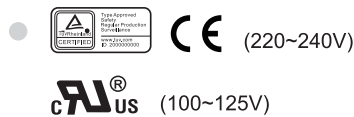
**Dimensions Drawing**



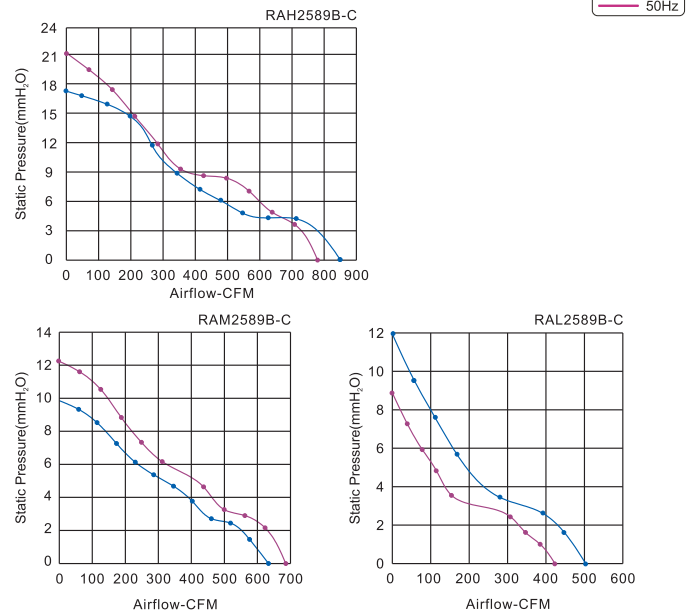
Unit: mm

**General Specification**

- Impeller : PA6 UL94V-0 Reinforced Plastic
- Frame : Aluminum Alloy
- Terminals : 0,5mm
- Lead Wire : AWG#22 UL 1015(Optional)
- Motor : Capacitor-Run Induction Motor
- Operation Temperature : -10°C~+70°C  
35%~85%RH
- Storage Temperature : -40°C~75°C  
35%~85%RH



**Performance Curves**



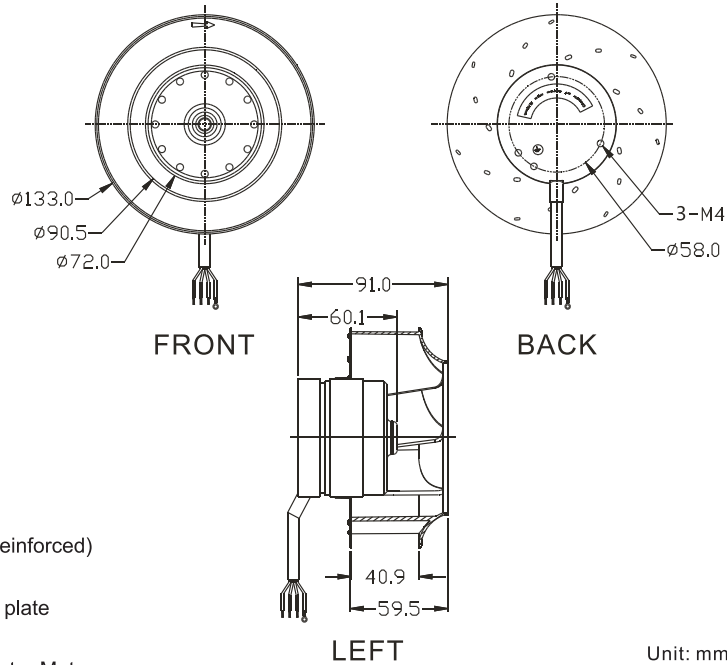
Model	Bearing System	Voltage VAC	Freq. Hz	Current A	Power W	Speed RPM	Noise dBA	Air Flow		Static Pressure (mmH <sub>2</sub> O)	Weight Gram
								M <sup>3</sup> /hr	CFM		
RAH2589B1-C	Ball	220~240	50/60	0.40/0.45	87/110	2600/2800	80/88	1325/1444	780/850	21/17	2150
RAM2589B1-C		220~240	50/60	0.29/0.35	65/78	2200/2100	60/59	1160/1084	685/640	12.2/9.8	
RAL2589B1-C		220~240	50/60	0.16/0.17	32/35	1400/1650	52/55	718/855	423/503	8.9/11.9	
RAH2589B2-C		100~125	50/60	0.80/1.0	87/110	2600/2800	80/88	1325/1444	780/850	21/17	
RAM2589B2-C		100~125	50/60	0.58/0.70	65/78	2200/2100	60/59	1160/1084	685/640	12.2/9.8	
RAL2589B2-C		100~125	50/60	0.28/0.30	32/35	1400/1650	52/55	718/855	423/503	8.9/11.9	

● All readings are typical values at rated voltage.  
● Specifications are subjected to change without prior notice.

Ø 133 x 61 mm

E Series

**Dimensions Drawing**

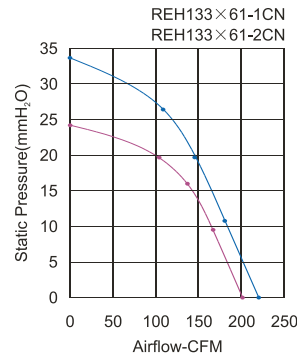


**General Specification**

- Impeller : Plastic PA6.6(polyamide glass-fibre reinforced)  
Injection-moulded round sheet-metal plate
- Motor : Capacitor-Run Induction and external rotor Motor
- Rotor : Black paint
- Lead Wire : AWG#20 UL 2450
- Operation Temperature : -10°C~+65°C  
35%~85%RH
- Storage Temperature : -40°C~75°C  
35%~85%RH
- (220~240V)
- (100~125V)

Unit: mm

**Performance Curves**



Model	Bearing System	Voltage VAC	Freq. Hz	Current A	Power W	Speed RPM	Noise dBA	Capacitor uf	Air Flow CFM	Static Pressure (mmH <sub>2</sub> O)
REH133x61-1CN	Ball	220~240	50/60	0.11/0.13	25/30	2800/3200	55/58	0.68	200/220	24.2/33.6
REH133x61-2CN		100~125	60	0.24	30	3200	58	2.50	220	33.6

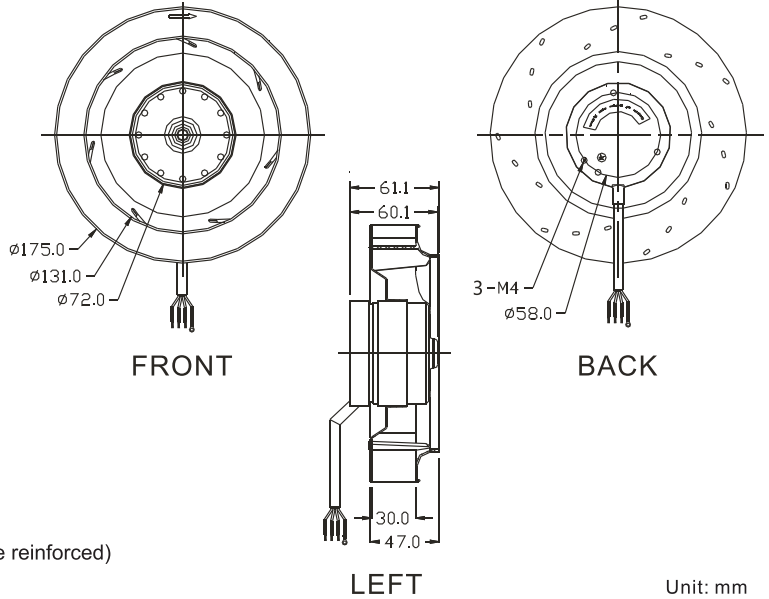
● All readings are typical values at rated voltage.  
● Specifications are subjected to change without prior notice.



Ø 175 x 47 mm

E Series

**Dimensions Drawing**

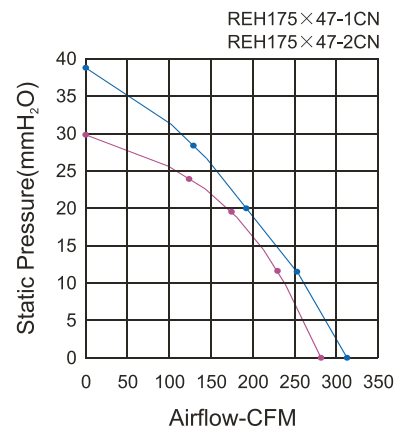


**General Specification**

- Impeller : Plastic PA6.6(polyamide glass-fibre reinforced)  
Injection-moulded round sheet-metal plate
- Motor : Capacitor-Run Induction and external rotor Motor
- Rotor : Black paint
- Lead Wire : AWG#20 UL 2450
- Operation Temperature : -10°C~+65°C  
35%~85%RH
- Storage Temperature : -40°C~75°C  
35%~85%RH
- (220~240V)
- (100~125V)

Unit: mm

**Performance Curves**



Model	Bearing System	Voltage VAC	Freq. Hz	Current A	Power W	Speed RPM	Noise dBA	Capacitor uf	Air Flow CFM	Static Pressure (mmH <sub>2</sub> O)
REH175x47-1CN	Ball	220~240	50/60	0.20/0.19	40/45	2800/3200	61/64	0.68	280/310	29.8/38.8
REH175x47-2CN		100~125	60	0.34	43	3200	64	3.0	310	38.8

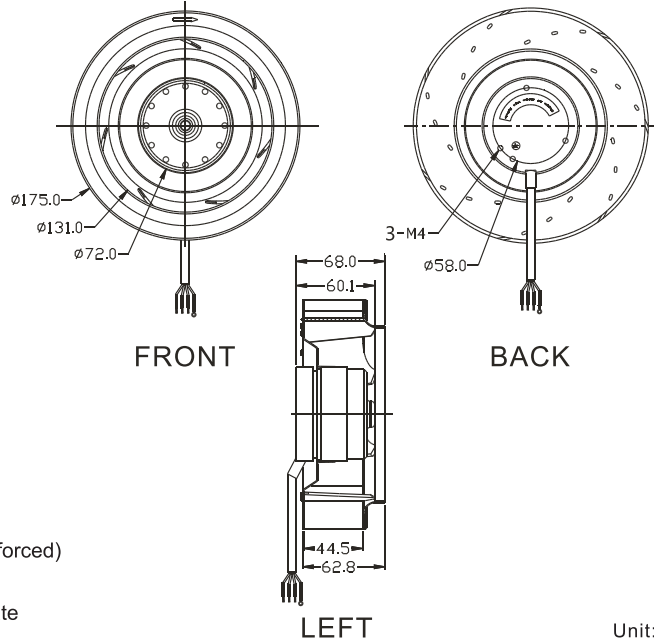
● All readings are typical values at rated voltage.  
● Specifications are subjected to change without prior notice.

Ø 175 x 62 mm

E Series



**Dimensions Drawing**

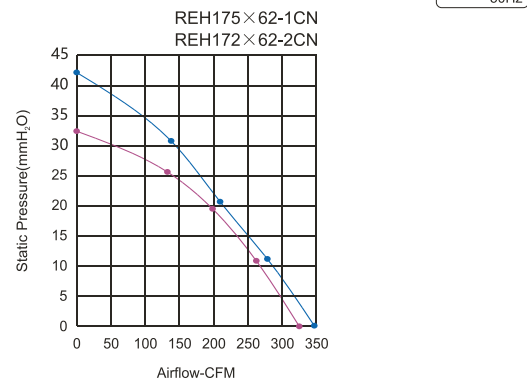


**General Specification**

- Impeller : Plastic PA6.6(polyamide glass-fibre reinforced)  
Injection-moulded round sheet-metal plate
- Motor : Capacitor-Run Induction and external rotor Motor
- Rotor : Black paint
- Lead Wire : AWG#20 UL 2450
- Operation Temperature : -10°C~+65°C  
35%~85%RH
- Storage Temperature : -40°C~75°C  
35%~85%RH
- (220~240V)  
 (100~125V)

Unit: mm

**Performance Curves**



Model	Bearing System	Voltage VAC	Freq. Hz	Current A	Power W	Speed RPM	Noise dBA	Capacitor uf	Air Flow CFM	Static Pressure (mmH <sub>2</sub> O)
REH175x62-1CN	Ball	220~240	50/60	0.21/0.28	51/66	2700/3000	64/66	1.50	325/347	32.6/42
REH175x62-2CN		100~125	60	0.56	51	3000	66	5.0	347	42

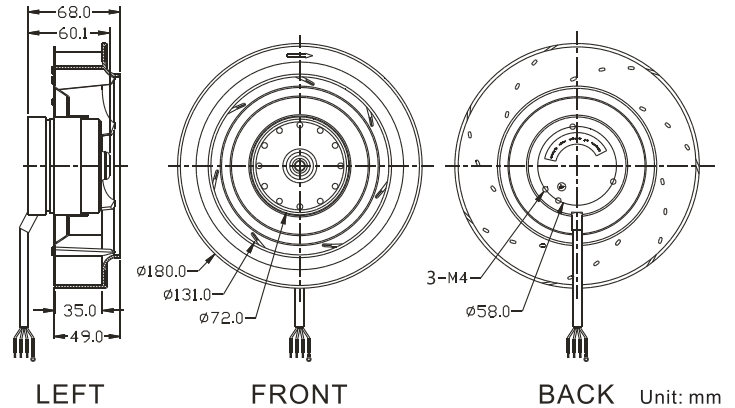
● All readings are typical values at rated voltage.  
● Specifications are subjected to change without prior notice.

Ø 180 x 49 mm

E Series



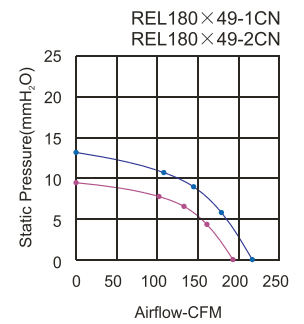
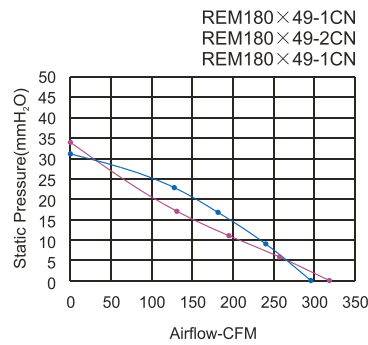
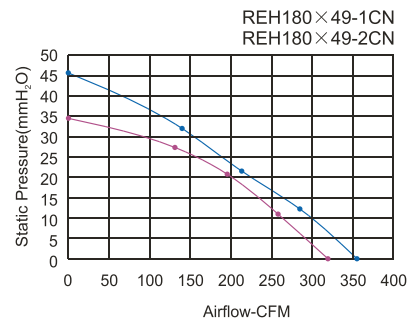
**Dimensions Drawing**



**General Specification**

- Impeller : Plastic PA6.6(polyamide glass-fibre reinforced)  
Injection-moulded round sheet-metal plate
- Motor : Capacitor-Run Induction and external rotor Motor
- Rotor : Black paint
- Lead Wire : AWG#20 UL 2450
- Operation Temperature : -10°C~+65°C  
35%~85%RH
- Storage Temperature : -40°C~75°C  
35%~85%RH
- (220~240V)
- (100~125V)

**Performance Curves**



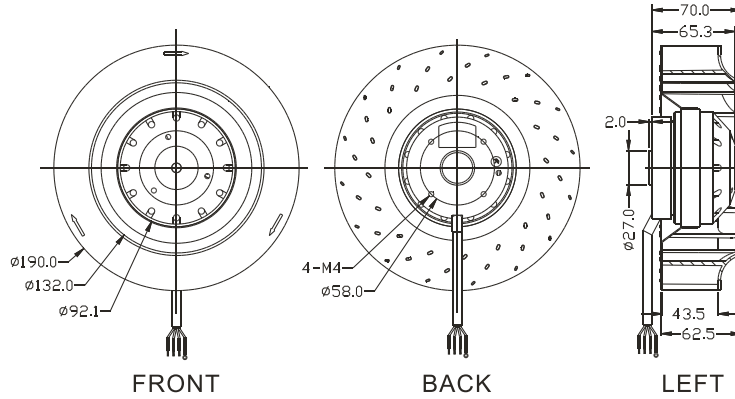
Model	Bearing System	Voltage VAC	Freq. Hz	Current A	Power W	Speed RPM	Noise dBA	Capactor uf	Air Flow CFM	Static Pressure (mmH <sub>2</sub> O)
REH180x49-1CN	Ball	220~240	50/60	0.20/0.21	47/52	2800/3200	65/68	1.2	320/355	34.5/45.0
REM180x49-1CN		220~240	50/60	0.16/0.21	38/50	2700/2800	63/65	1.0	295/320	31/34
REL180x49-1CN		220~240	50/60	0.13/0.16	24/21	1400/1650	47/53	0.47	295/210	9.4/13.0
REH180x49-2CN		100~125	60	0.45	57	3200	68	4.0	355	45.0
REM180x49-2CN		100~125	60	0.39	49	2800	65	3.0	320	34
REL180x49-2CN		100~125	60	0.17	22	1650	53	2.0	210	13.0

● All readings are typical values at rated voltage.  
● Specifications are subjected to change without prior notice.

Ø 190 x 62 mm

E Series

**Dimensions Drawing**



Unit: mm

**General Specification**

- Impeller : Plastic PA6.6(polyamide glass-fibre reinforced)

Injection-moulded round sheet-metal plate

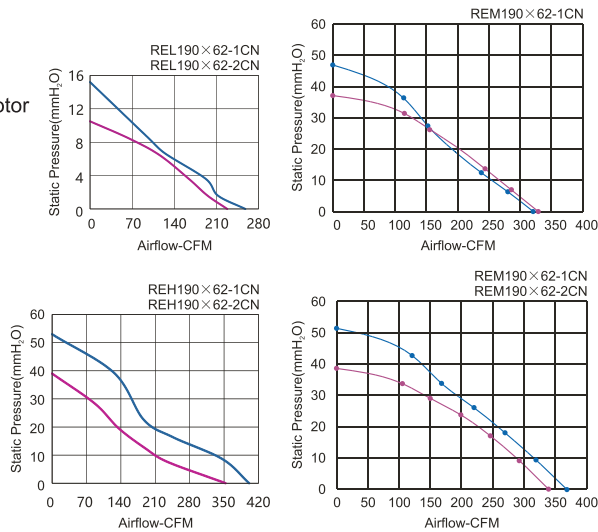
- Motor : Capacitor-Run Induction and external rotor Motor
- Rotor : Black paint
- Lead Wire : AWG#20 UL 2450
- Operation Temperature : -10°C~+65°C  
35%~85%RH
- Storage Temperature : -40°C~75°C  
35%~85%RH

● (220~240V)

● (100~125V)

**Performance Curves**

Key  
— 60Hz  
— 50Hz



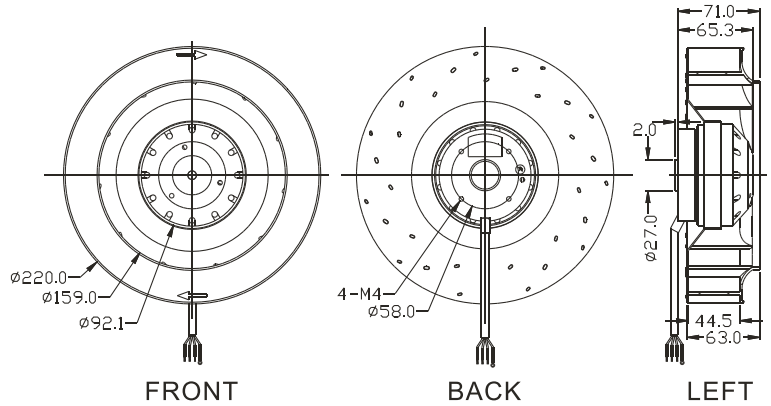
Model	Bearing System	Voltage VAC	Freq. Hz	Current A	Power W	Speed RPM	Noise dBA	Capactor uf	Air Flow CFM	Static Pressure (mmH <sub>2</sub> O)
REH190x62-1CN	Ball	230	50/60	0.39/0.49	91/113	2600/2900	65/68	2.5	353/401	39.0/53.0
REM190x62-1CN		230	50/60	0.36/0.48	83/111	2500/2700	64/66	2.0	339/367	38.5/51.5
REL190x62-1CN		230	50/60	0.18/0.18	29/30	1400/1600	48/52	0.68	228/258	10.5/15.2
REH190x62-2CN		115	60	1.04	122	2900	68	12.0	401	53.0
REM190x62-2CN		115	60	0.83	98	2700	66	10.0	367	51.4
REL190x62-2CN		115	60	0.22	28	1600	52	2.5	258	15.2

- All readings are typical values at rated voltage.
- Specifications are subjected to change without prior notice.

Ø 220 x 63 mm

E Series

**Dimensions Drawing**

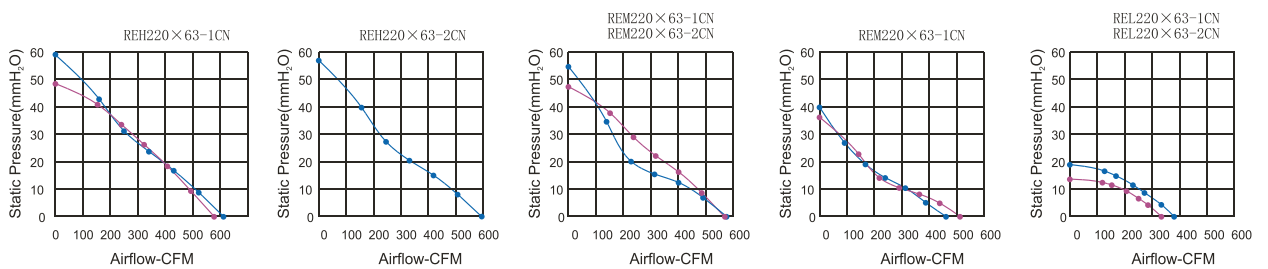


**General Specification**

Unit: mm

- Impeller : Plastic PA6.6(polyamide glass-fibre reinforced)
- Lead Wire : AWG#20 UL 2450
- Injection-moulded round sheet-metal plate
- Operation Temperature : -10°C~+65°C  
35%~85%RH
- Motor : Capacitor-Run Induction and external rotor Motor
- Storage Temperature : -40°C~75°C  
35%~85%RH
- Rotor : Black paint
- (220~240V) (100~125V)

**Performance Curves**



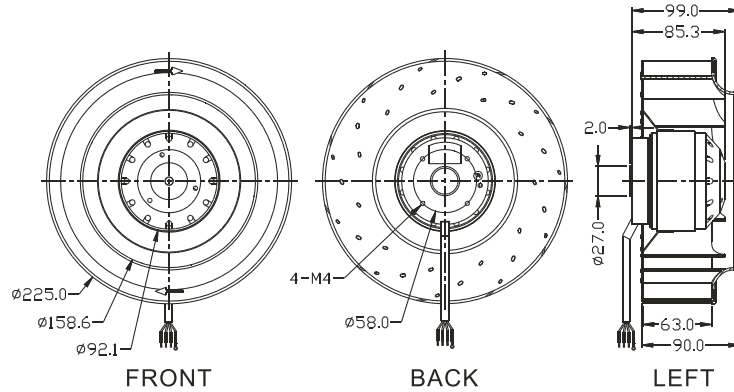
Model	Bearing System	Voltage VAC	Freq. Hz	Current A	Power W	Speed RPM	Noise dBA	Capacitor uf	Air Flow CFM	Static Pressure (mmH <sub>2</sub> O)
REH220x63-1CN	Ball	220~240	50/60	0.35/0.50	82/113	2600/2800	69/71	2.5	578/612	48.4/58.8
REM220x63-1CN		220~240	50/60	0.31/0.44	71/101	2500/2600	69/69	2.5	564/578	47.3/54.6
REL220x63-1CN		220~240	50/60	0.14/0.18	27/34	1400/1600	53/55	0.68	333/380	13.6/19.0
REH220x63-2CN		100~125	60	1.0	116	2700	70	10.0	593	56.8
REM220x63-2CN		100~125	60	0.87	105	2600	69	8.0	578	53.5
REL220x63-2CN		100~125	60	0.27	34	1600	55	3.0	380	19.0

- All readings are typical values at rated voltage.
- Specifications are subjected to change without prior notice.

Ø 225 x 90 mm

E Series

**Dimensions Drawing**

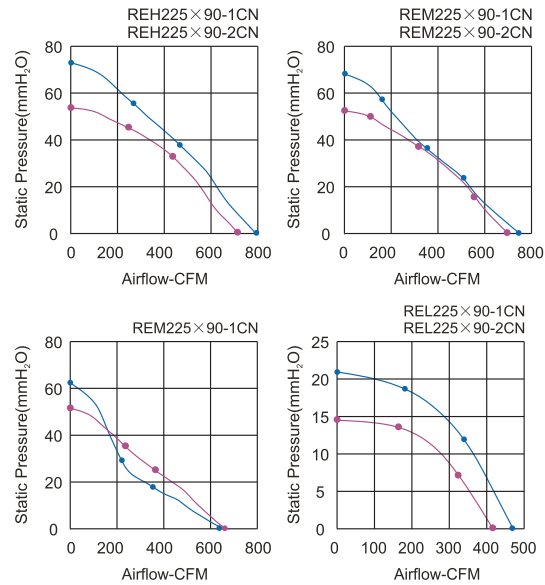


Unit: mm

**General Specification**

- Impeller : Plastic PA6.6(polyamide glass-fibre reinforced)  
Injection-moulded round sheet-metal plate
- Motor : Capacitor-Run Induction and external rotor Motor
- Rotor : Black paint
- Lead Wire : AWG#20 UL 2450
- Operation Temperature : -10°C~+65°C  
35%~85%RH
- Storage Temperature : -40°C~75°C  
35%~85%RH
- (220~240V)
- (100~125V)

**Performance Curves**



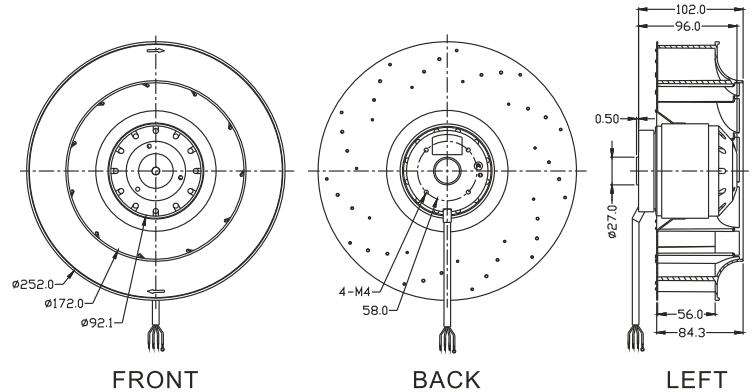
Model	Bearing System	Voltage VAC	Freq. Hz	Current A	Power W	Speed RPM	Noise dBA	Capacitor uf	Air Flow CFM	Static Pressure (mmH <sub>2</sub> O)
REH225x90-1CN	Ball	230	50/60	0.61/0.76	145/185	2650/3000	72/75	6.0	716/792	53/73
REM225x90-1CN		230	50/60	0.49/0.71	120/165	2550/2750	70/73	4.5	700/748	52/68
REL225x90-1CN		230	50/60	0.23/0.34	35/35	1400/1600	56/61	1.0	416/470	14.5/21.0
REH225x90-2CN		115	60	1.56	196	3000	75	18.0	792	73
REM225x90-2CN		115	60	1.5	165	2750	73	18.0	748	68
REL225x90-2CN		115	60	0.50	35	1600	61	3.0	470	21.0

● All readings are typical values at rated voltage.  
 ● Specifications are subjected to change without prior notice.

Ø 252 x 84 mm

E Series

**Dimensions Drawing**



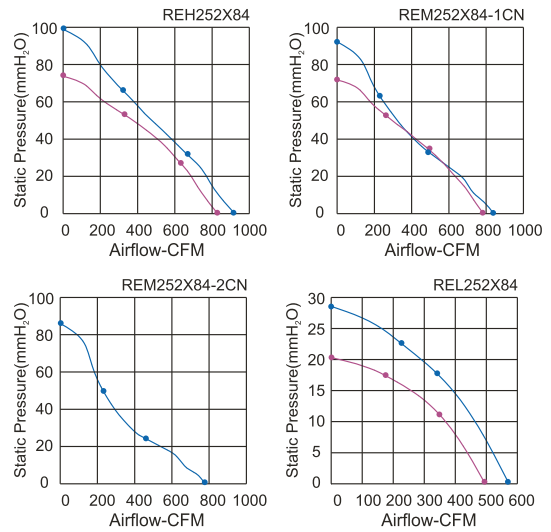
Unit: mm

**General Specification**

- Impeller : Plastic PA6.6(polyamide glass-fibre reinforced)  
Injection-moulded round sheet-metal plate
- Motor : Capacitor-Run Induction and external rotor Motor
- Rotor : Black paint
- Lead Wire : AWG#20 UL 2450
- Operation Temperature : -10°C~+65°C  
35%~85%RH
- Storage Temperature : -40°C~75°C  
35%~85%RH
- (220~240V)
- (100~125V)

**Performance Curves**

Key  
— 60Hz  
— 50Hz



Model	Bearing System	Voltage VAC	Freq. Hz	Current A	Power W	Speed RPM	Noise dBA	Capactor uf	Air Flow CFM	Static Pressure (mmH <sub>2</sub> O)
REH252x84-1CN	Ball	220~240	50/60	0.87/1.1	200/273	2650/2950	73/76	6.0	830/921	73/98
REM252x84-1CN		220~240	50/60	0.71/1.0	170/230	2600/2750	73/74	5.0	785/840	71.7/92
REL252x84-1CN		220~240	50/60	0.30/0.38	48/52	1400/1650	59/62	1.5	495/573	20/28.5
REH252x84-2CN		100~125	60	2.2	273	2950	76	22.0	921	98
REM252x84-2CN		100~125	60	1.9	240	2550	74	18.0	779	86
REL252x84-2CN		100~125	60	0.53	52	1650	62	5.0	573	28.5

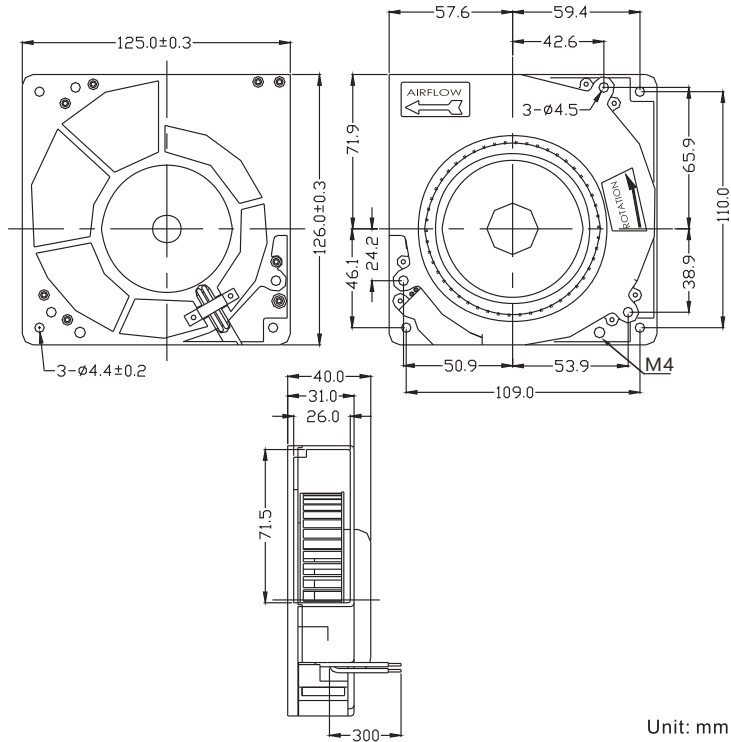
- All readings are typical values at rated voltage.
- Specifications are subjected to change without prior notice.

126 x 40 mm

C Series



**Dimensions Drawing**



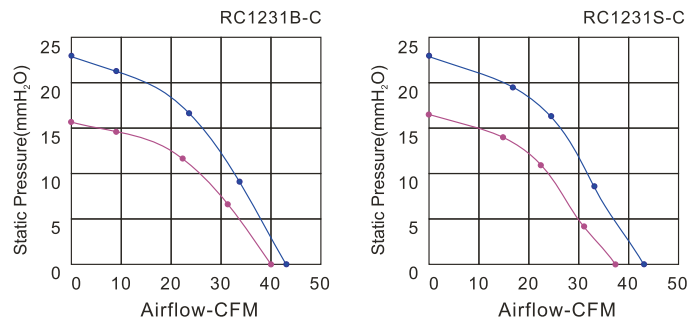
Unit: mm

**General Specification**

- Impeller : PA6 UL94V-0 Reinforced Plastic
- Frame : Aluminum Alloy
- Lead Wire : AWG#24 UL 1430(Optional)
- Motor : Capacitor-Run Induction Motor
- Operation Temperature : -10°C~+70°C  
35%~85%RH
- Storage Temperature : -40°C~75°C  
35%~85%RH

(220~240V)  
 (100~125V)

**Performance Curves**



Model	Bearing System	Voltage VAC	Freq. Hz	Current A	Power W	Speed RPM	Noise dBA	Air Flow		Static Pressure (mmH <sub>2</sub> O)	Weight Gram
								M <sup>3</sup> /hr	CFM		
RCH1231S1-C	Sleeve	220~240	50/60	0.13/0.13	27/28	2600/3000	54/57	63/71	37/42	15.4/22	668
RCH1231S2-C		100~125	50/60	0.27/0.25	27/28	2600/3000	54/57	63/71	37/42	15.4/22	
RCH1231B1-C	Ball	220~240	50/60	0.13/0.13	26/27	2750/3050	55/57	68/73	40/43	15.8/22.6	
RCH1231B2-C		100~125	50/60	0.27/0.29	26/27	2750/3050	55/57	68/73	40/43	15.8/22.6	

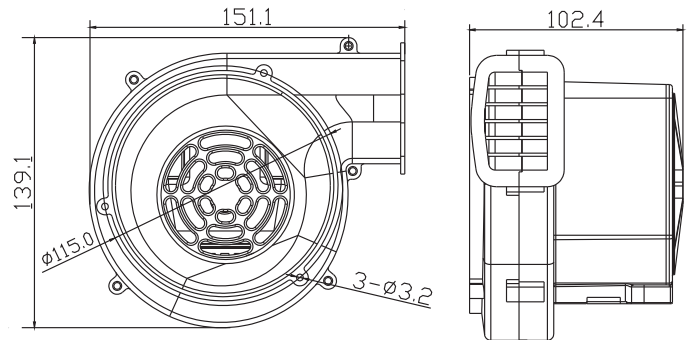
● All readings are typical values at rated voltage.  
 ● Specifications are subjected to change without prior notice.



**139 x 102 mm**

**C Series**

**Dimensions Drawing**

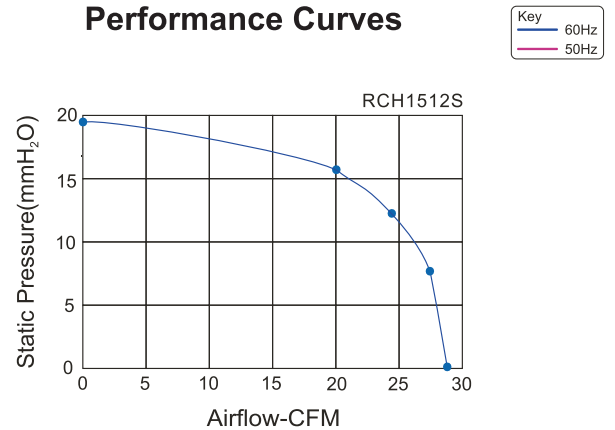


Unit: mm

**General Specification**

- Impeller : PP UL94V-0 Reinforced Plastic(f1)
- Frame : PP UL94V-0 Reinforced Plastic(f1)
- Lead Wire : SPT-2(W)OR Customize Design(Optional)
- Motor : Shaded Pole Induction Motor
- Operation Temperature : -10°C~+65°C  
35%~85%RH
- Storage Temperature : -40°C~75°C  
35%~85%RH
- <sup>®</sup>

**Performance Curves**



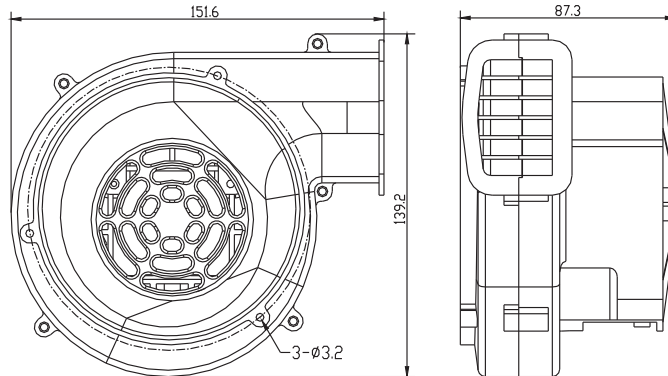
Model	Bearing System	Voltage VAC	Freq. Hz	Current A	Power W	Speed RPM	Noise dBA	Air Flow		Static Pressure (mmH <sub>2</sub> O)	Weight Gram
								M <sup>3</sup> /hr	CFM		
RCH1512S2	Sleeve	100~125	60	0.65	39	2900	57	41	29	18.9	696

● All readings are typical values at rated voltage.  
● Specifications are subjected to change without prior notice.

**139 x 87 mm**

**C Series**

**Dimensions Drawing**



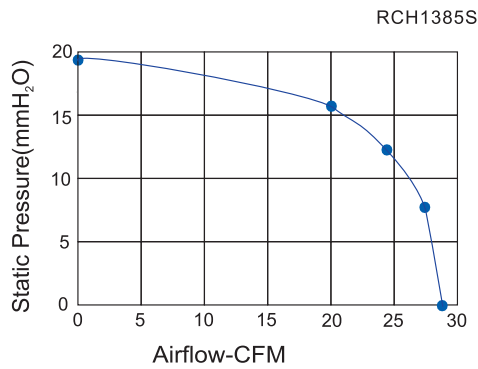
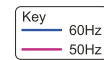
Unit: mm

**General Specification**

- Impeller : PP UL94V-0 Reinforced Plastic(f1)
- Frame : PP UL94V-0 Reinforced Plastic(f1)
- Lead Wire : SPT-2(W)OR Customize Design(Optional)
- Operation Temperature : -10°C~+65°C  
35%~85%RH
- Storage Temperature : -40°C~75°C  
35%~85%RH



**Performance Curves**

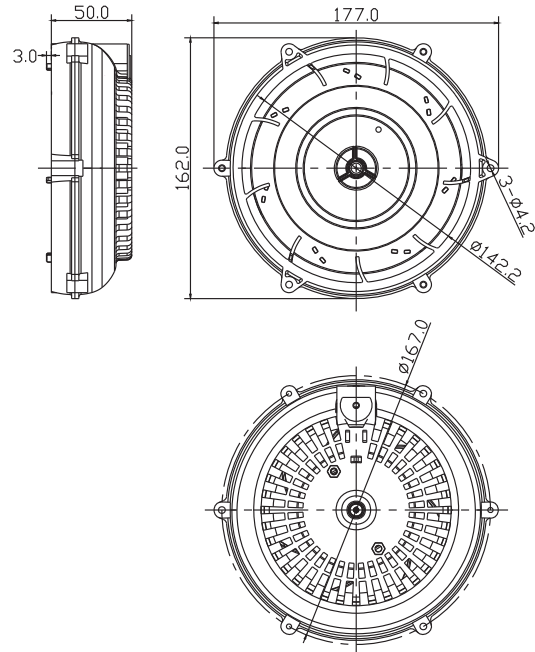


Model	Bearing System	Voltage VAC	Freq. Hz	Current A	Power W	Speed RPM	Noise dBA	Air Flow		Static Pressure (mmH <sub>2</sub> O)	Weight Gram
								M <sup>3</sup> /hr	CFM		
RCH1385S2	Sleeve	100~125	60	0.65	39	2900	57	41	29	18.9	696

● All readings are typical values at rated voltage.  
● Specifications are subjected to change without prior notice.



**Dimensions Drawing**



Unit: mm

**General Specification**

- Impeller : PBT UL94V-0 Reinforced Plastic
- Frame : PBT UL94V-0 Reinforced Plastic
- Lead Wire : SPT-2(W)OR Customize Design(Optional)
- Motor : Shaded Pole Induction Motor
- Operation Temperature : -10°C~+70°C  
35%~85%RH
- Storage Temperature : -40°C~75°C  
35%~85%RH

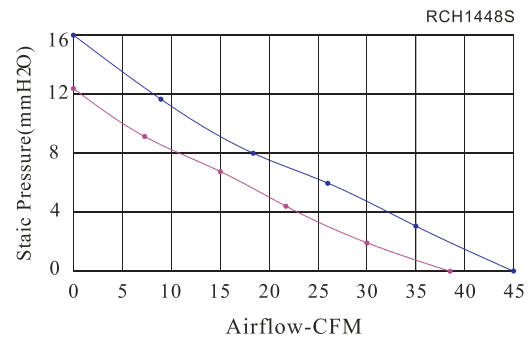


**CE** (220~240V)

**UL** (100~125V)

**Performance Curves**

Key  
— 60Hz  
— 50Hz



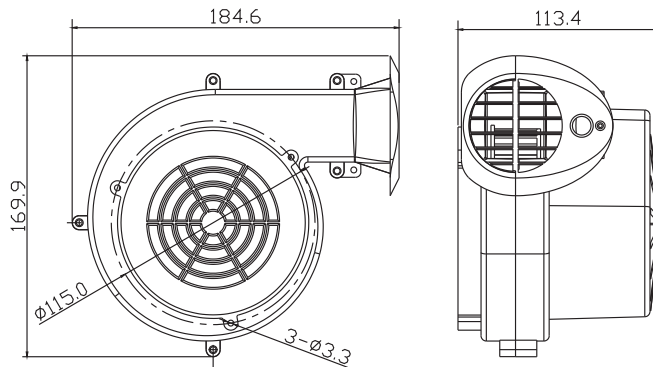
Model	Bearing System	Voltage VAC	Freq. Hz	Current A	Power W	Speed RPM	Noise dBA	Air Flow		Static Pressure (mmH <sub>2</sub> O)	Weight Gram
								M <sup>3</sup> /hr	CFM		
RCH1448S1	Sleeve	220~240	50	0.18	26	2500	46	64.6	38	12.8	570
RCH1448S2		100~125	60	0.35	26	2950	49	76.5	45	16	

● All readings are typical values at rated voltage.  
● Specifications are subjected to change without prior notice.

170 x 113 mm

C Series

**Dimensions Drawing**



Unit: mm

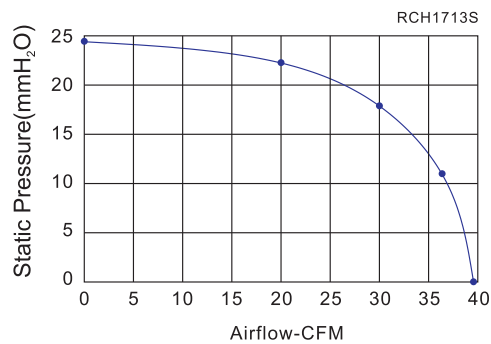
**General Specification**

- Impeller : PP UL94V-0 Reinforced Plastic(f1)
- Frame : PP UL94V-0 Reinforced Plastic(f1)
- Lead Wire : SPT-2(W)OR Customize Design(Optional)
- Motor : Shaded Pole Induction Motor
- Operation Temperature : -10°C~+65°C  
35%~85%RH
- Storage Temperature : -40°C~75°C  
35%~85%RH



**Performance Curves**

Key  
— 60Hz  
— 50Hz



Model	Bearing System	Voltage VAC	Freq. Hz	Current A	Power W	Speed RPM	Noise dBA	Air Flow		Static Pressure (mmH <sub>2</sub> O)	Weight Gram
								M <sup>3</sup> /hr	CFM		
RCH1713S2	Sleeve	100~125	60	0.84	48	2500	63	65	39	24	778


● All readings are typical values at rated voltage.  
● Specifications are subjected to change without prior notice.

**187 x 104 mm**

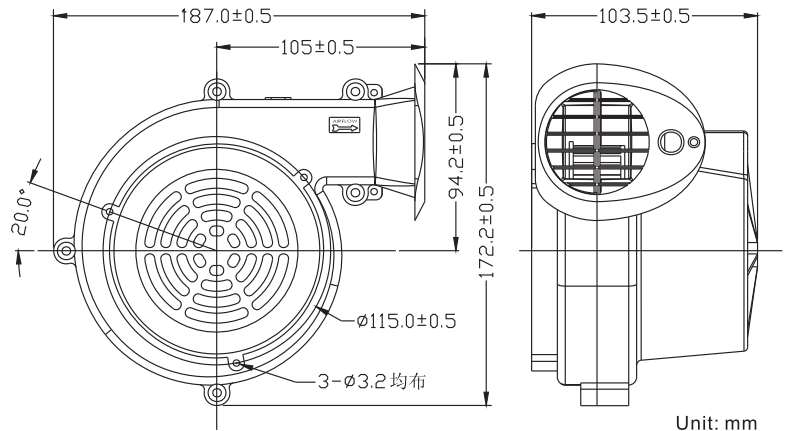
**C Series**



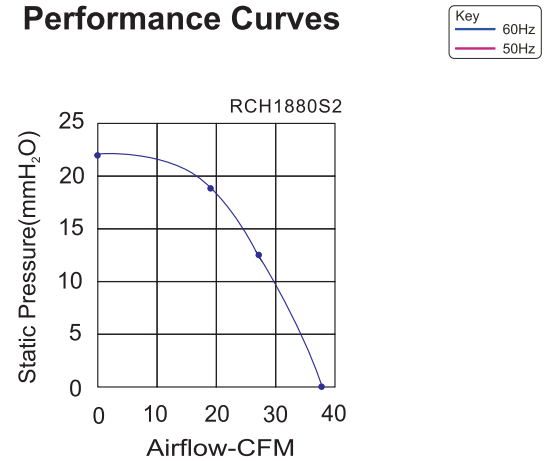
**General Specification**

- Impeller : PP UL94V-0 Reinforced Plastic(f1)
- Frame : PP UL94V-0 Reinforced Plastic(f1)
- Lead Wire : SPT-2(W)OR Customize Design(Optional)
- Motor : Shaded Pole Induction Motor
- Operation Temperature : -10°C~+65°C  
35%~85%RH
- Storage Temperature : -40°C~75°C  
35%~85%RH
- 

**Dimensions Drawing**



**Performance Curves**



Model	Bearing System	Voltage VAC	Freq. Hz	Current A	Power W	Speed RPM	Noise dBA	Air Flow	Static Pressure (mmH <sub>2</sub> O)	Weight Gram
								CFM		
RCH1880S2	Sleeve	100~125	60	0.84	48	2500	63	38	22	778

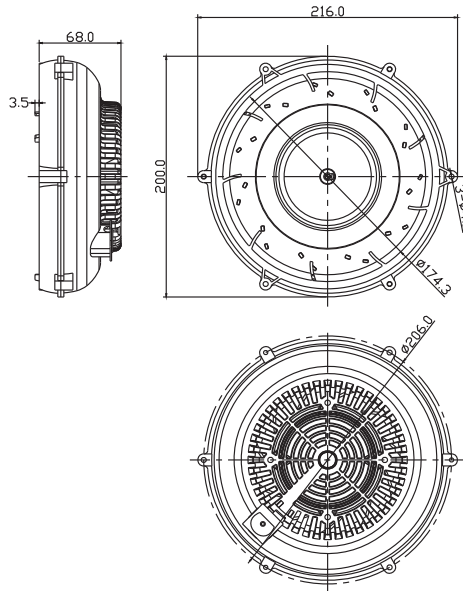
● All readings are typical values at rated voltage.  
● Specifications are subjected to change without prior notice.

**200 x 68 mm**

**C Series**



**Dimensions Drawing**

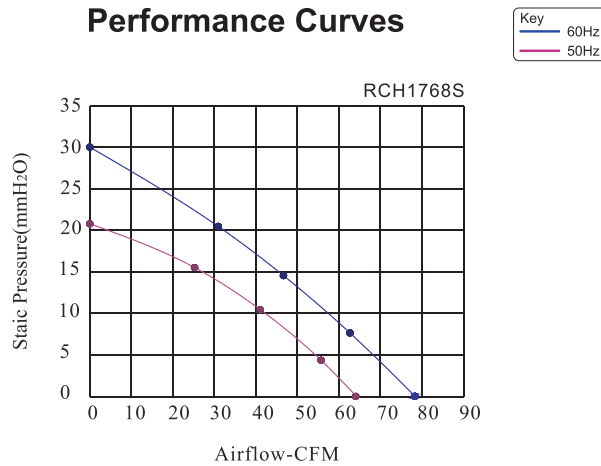


Unit: mm

**General Specification**

- Impeller : PP UL94V-0 Reinforced Plastic
- Frame : PP UL94V-0 Reinforced Plastic
- Lead Wire : SPT-2(W)OR Customize Design(Optional)
- Motor : Shaded Pole Induction Motor
- Operation Temperature : -10°C~+70°C  
35%~85%RH
- Storage Temperature : -40°C~75°C  
35%~85%RH
- **CE** (220~240V)
- **UL** (100~125V)

**Performance Curves**



Model	Bearing System	Voltage VAC	Freq. Hz	Current A	Power W	Speed RPM	Noise dBA	Air Flow		Static Pressure (mmH <sub>2</sub> O)	Weight Gram
								M <sup>3</sup> /hr	CFM		
RCH1768S1	Sleeve	220~240	50	0.28	44	2500	54	108.8	64	21	917
RCH1768S2		100~125	60	0.70	52	2900	58	132.6	78	30	

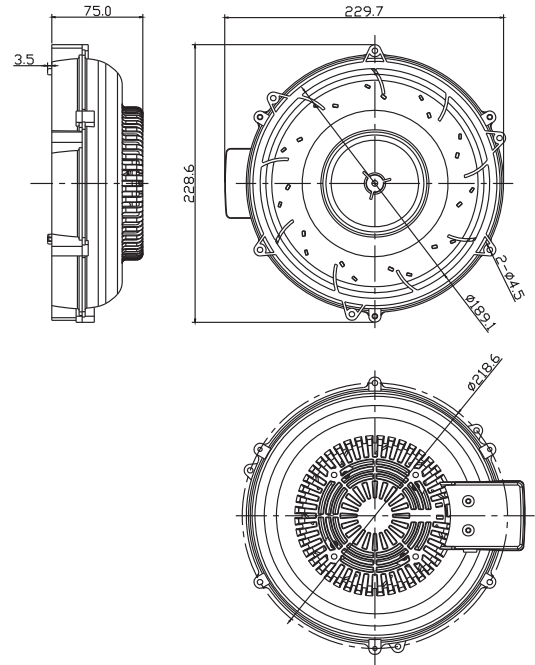
● All readings are typical values at rated voltage.  
● Specifications are subjected to change without prior notice.

229 x 75 mm

C Series



**Dimensions Drawing**

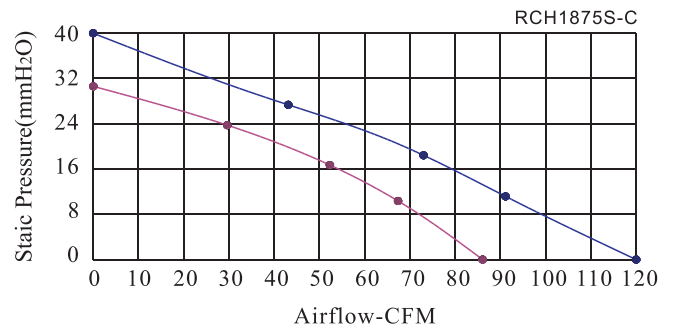


Unit: mm

**General Specification**

- Impeller : PP UL94V-0 Reinforced Plastic
- Frame : PP UL94V-0 Reinforced Plastic
- Lead Wire : SPT-2(W)OR Customize Design(Optional)
- Motor : Capacitor-Run Induction Motor
- Operation Temperature : -10°C~+70°C  
35%~85%RH
- Storage Temperature : -40°C~75°C  
35%~85%RH
- **CE** (220~240V)
- **UL** (100~125V)

**Performance Curves**



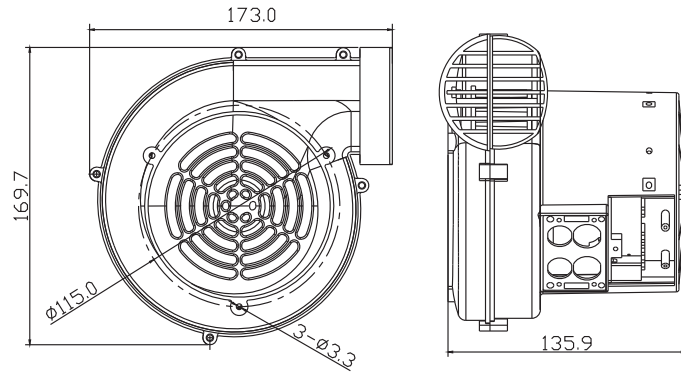
Model	Bearing System	Voltage VAC	Freq. Hz	Current A	Power W	Speed RPM	Noise dBA	Air Flow		Static Pressure (mmH <sub>2</sub> O)	Weight Gram
								M <sup>3</sup> /hr	CFM		
RCH1875S1-C	Sleeve	220~240	50	0.28	53	2550	57	146.2	86	29	990
RCH1875S2-C		100~125	60	0.75	76	3100	62	204	120	40	

● All readings are typical values at rated voltage.  
● Specifications are subjected to change without prior notice.

170 x 136 mm

C Series

**Dimensions Drawing**



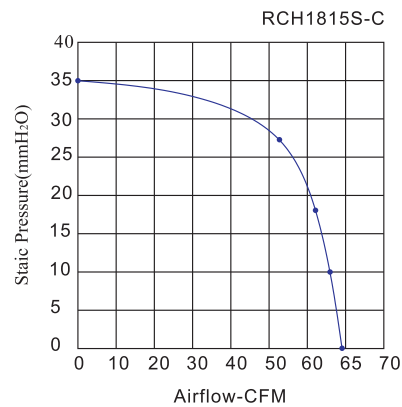
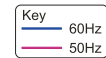
Unit: mm

**General Specification**

- Impeller : PP UL94V-0 Reinforced Plastic(f1)
- Frame : PP UL94V-0 Reinforced Plastic(f1)
- Lead Wire : SPT-2(W)OR Customize Design(Optional)
- Motor : Capacitor-Run Induction Motor
- Operation Temperature : -10°C~+65°C  
35%~85%RH
- Storage Temperature : -40°C~75°C  
35%~85%RH



**Performance Curves**



Model	Bearing System	Voltage VAC	Freq. Hz	Current A	Power W	Speed RPM	Noise dBA	Air Flow		Static Pressure (mmH <sub>2</sub> O)	Weight Gram
								M <sup>3</sup> /hr	CFM		
RCH1815S2-C	Sleeve	100~125	60	0.55	62	3000	66	109	64	35	948

● All readings are typical values at rated voltage.  
● Specifications are subjected to change without prior notice.

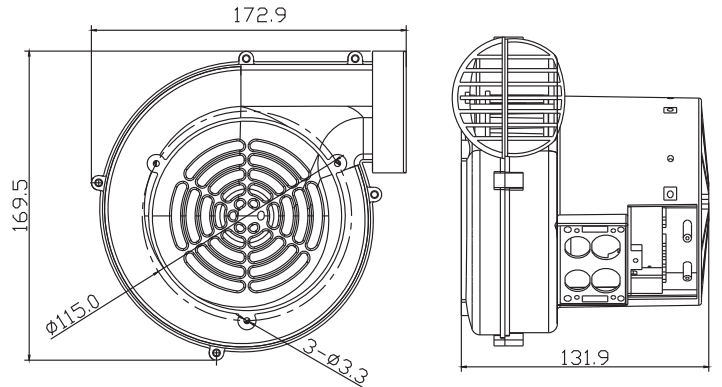


**170 x 132 mm**

**C Series**



**Dimensions Drawing**

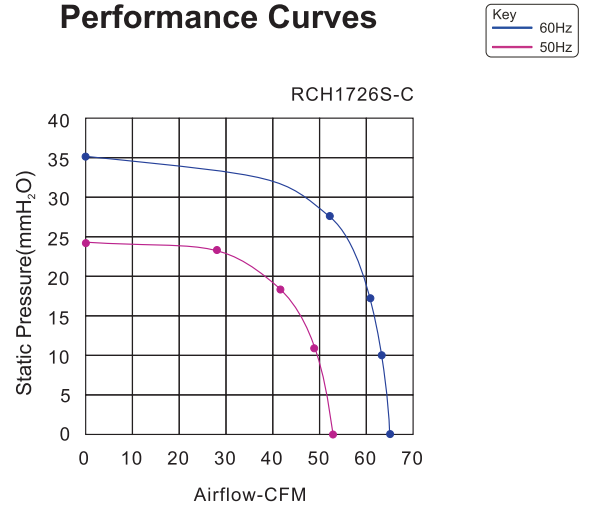


Unit: mm

**General Specification**

- Impeller : PP UL94V-0 Reinforced Plastic(f1)
- Frame : PP UL94V-0 Reinforced Plastic(f1)
- Lead Wire : SPT-2(W)OR Customize Design(Optional)
- Motor : Capacitor-Run Induction Motor
- Operation Temperature : -10°C~+65°C  
35%~85%RH
- Storage Temperature : -40°C~75°C  
35%~85%RH
- **CE** (220~240V)
- **UL** (100~125V)

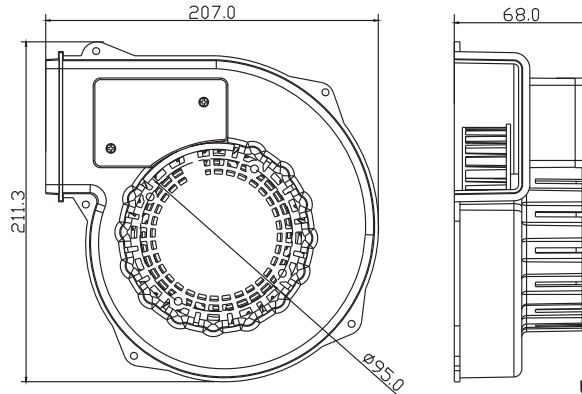
**Performance Curves**



Model	Bearing System	Voltage VAC	Freq. Hz	Current A	Power W	Speed RPM	Noise dBA	Air Flow		Static Pressure (mmH <sub>2</sub> O)	Weight Gram
								M <sup>3</sup> /hr	CFM		
RCH1726S1-C	Sleeve	220~240	50	0.26	42	2600	59	90	53	24	948
RCH1726S2-C		100~125	60	0.55	62	3000	66	109	64	35	

● All readings are typical values at rated voltage.  
● Specifications are subjected to change without prior notice.

**Dimensions Drawing**



Unit: mm

**General Specification**

- Impeller : PP UL94V-0 Reinforced Plastic
- Frame : PP UL94V-0 Reinforced Plastic
- Lead Wire : SPT-2(W)OR Customize Design(Optional)
- Motor : Capacitor-Run Induction Motor
- Operation Temperature :  $-10^{\circ}\text{C}\sim+70^{\circ}\text{C}$   
35%~85%RH
- Storage Temperature :  $-40^{\circ}\text{C}\sim75^{\circ}\text{C}$   
35%~85%RH

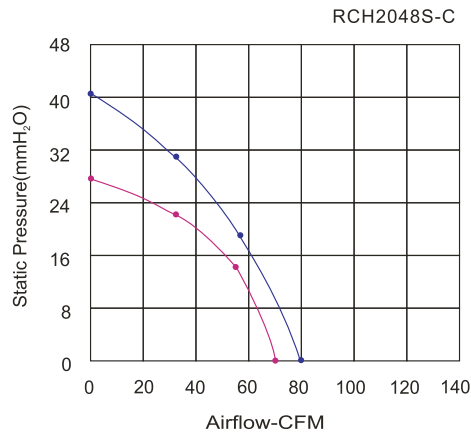


CE (220~240V)

RU<sup>®</sup> (100~125V)

**Performance Curves**

Key  
— 60Hz  
— 50Hz



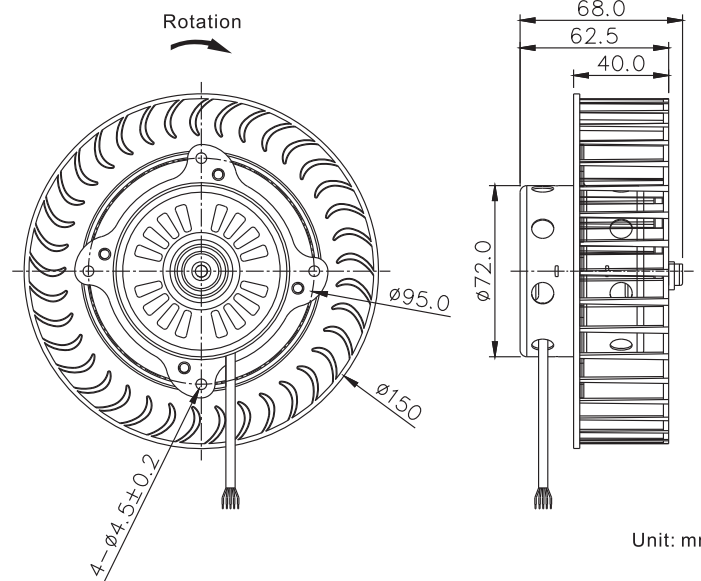
Model	Bearing System	Voltage VAC	Freq. Hz	Current A	Power W	Speed RPM	Noise dBA	Air Flow		Static Pressure (mmH <sub>2</sub> O)	Weight Gram
								M <sup>3</sup> /hr	CFM		
RCH2048S1-C	Sleeve	220~240	50	0.35	74	2450	58	119	70	27	896
RCH2048S2-C		100~125	60	0.77	81	2800	60	136	80	41	
RCH2048S2-C1		100~125	60	0.77	81	2800	60	136	80	41	

● All readings are typical values at rated voltage.  
● Specifications are subjected to change without prior notice.

Ø 150 x 68 mm

C Series

**Dimensions Drawing**



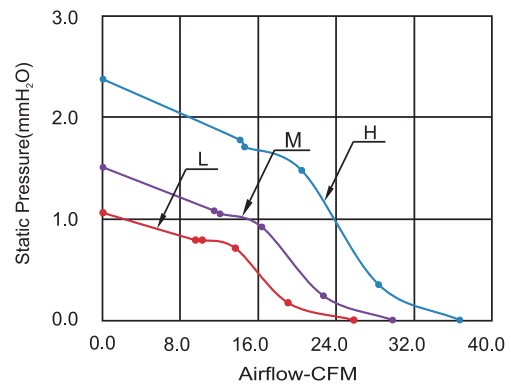
Unit: mm

**General Specification**

- Impeller : PP UL94V-0 Reinforced Plastic
- Frame : PP UL94V-0 Reinforced Plastic
- Lead Wire : UL 1430 20# OR Customize Design(Optional)
- Motor : Capacitor-Run Induction Motor
- Operation Temperature : -10°C~+70°C  
35%~85%RH
- Storage Temperature : -40°C~75°C  
35%~85%RH



**Performance Curves**



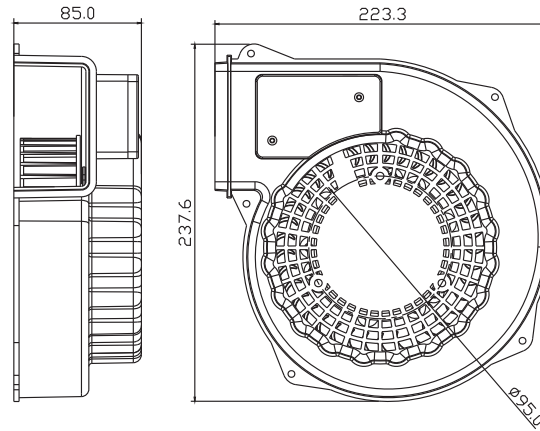
Model	Bearing System	Voltage VAC	Freq. Hz	Current A	Power W	Speed RPM	Noise dBA	Air Flow		Static Pressure (mmH <sub>2</sub> O)	Weight Gram
								M <sup>3</sup> /hr	CFM		
RCH2048S2-C2	Sleeve	100~125	60	0.35	40	1450(H)	55	93	36	2.4	630
		100~125	60	0.30	35	1150(M)	53	90	34	1.5	
		100~125	60	0.25	30	950(L)	51	87	25	1.0	

- All readings are typical values at rated voltage.
- Specifications are subjected to change without prior notice.

**223 x 85 mm**

**C Series**

**Dimensions Drawing**



**General Specification**

- Impeller : PP UL94V-0 Reinforced Plastic
- Frame : PP UL94V-0 Reinforced Plastic
- Lead Wire : SPT-2(W)OR Customize Design(Optional)
- Motor : Capacitor-Run Induction Motor
- Operation Temperature : -10°C~+70°C  
35%~85%RH
- Storage Temperature : -40°C~75°C  
35%~85%RH

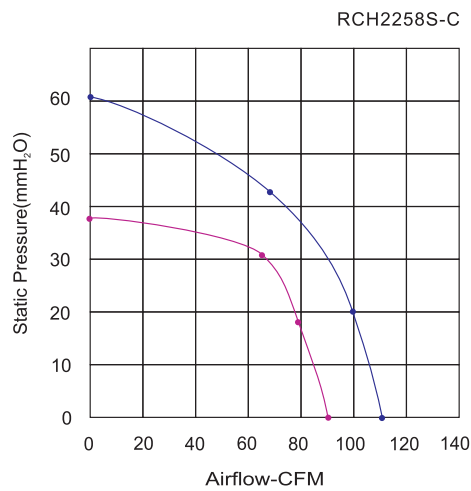


**CE** (220~240V)

**UL** (100~125V)

Unit: mm

**Performance Curves**



RCH2258S-C

Key  
— 60Hz  
— 50Hz

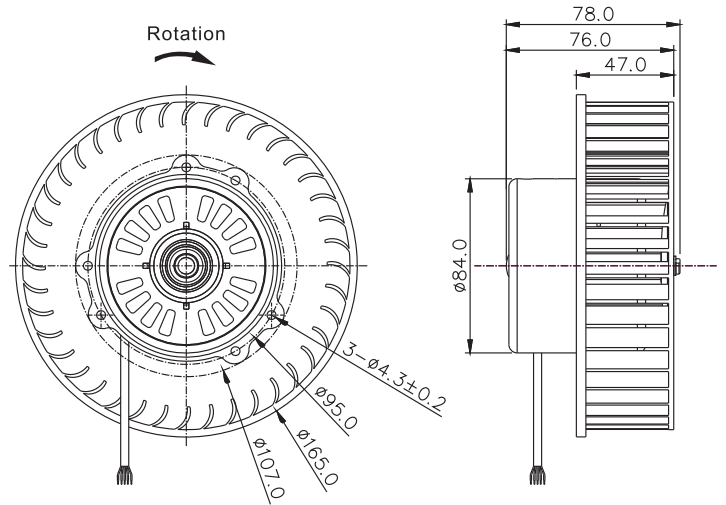
Model	Bearing System	Voltage VAC	Freq. Hz	Current A	Power W	Speed RPM	Noise dBA	Air Flow		Static Pressure (mmH <sub>2</sub> O)	Weight Gram
								M <sup>3</sup> /hr	CFM		
RCH2258S1-C	Sleeve	220~240	50	0.45	96	2350	58	153	90	38	1210
RCH2258S2-C		100~125	60	1.2	129	2650	61	187	110	61	

- All readings are typical values at rated voltage.
- Specifications are subjected to change without prior notice.

Ø 165 x 78 mm

C Series

**Dimensions Drawing**



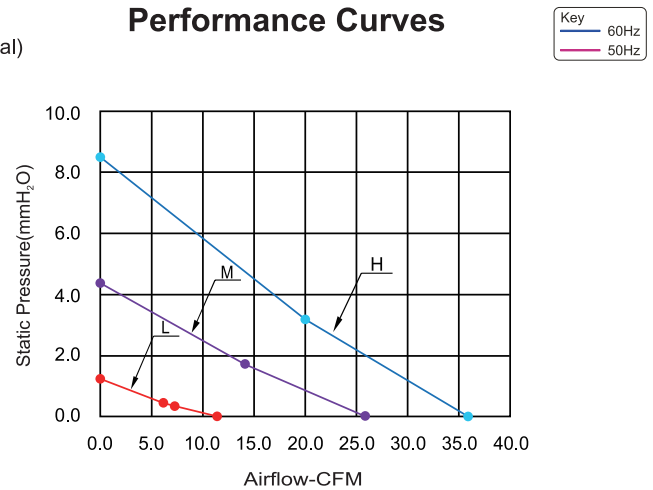
**General Specification**

- Impeller : PP UL94V-0 Reinforced Plastic
- Lead Wire : UL 1430 20# OR Customize Design(Optional)
- Motor : Capacitor-Run Induction Motor
- Operation Temperature : -10°C~+70°C  
35%~85%RH
- Storage Temperature : -40°C~75°C  
35%~85%RH



Unit: mm

**Performance Curves**



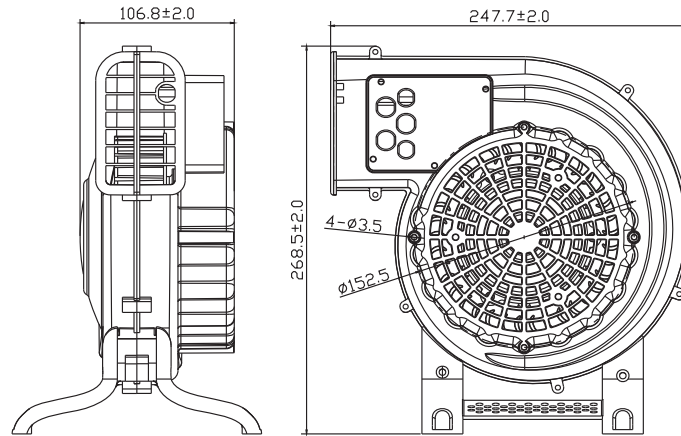
Model	Bearing System	Voltage VAC	Freq. Hz	Current A	Power W	Speed RPM	Noise dBA	Air Flow		Static Pressure (mmH <sub>2</sub> O)	Weight Gram
								M <sup>3</sup> /hr	CFM		
RCH2258S2-C2	Sleeve	100~125	60	0.45	50	1500(H)	37	59	35	8.5	1100
		100~125	60	0.40	40	1200(M)	30	42	25	4.4	
		100~125	60	0.35	35	800(L)	22	19	11	1.2	

- All readings are typical values at rated voltage.
- Specifications are subjected to change without prior notice.

**269 x 107 mm**


**C Series**

**Dimensions Drawing**

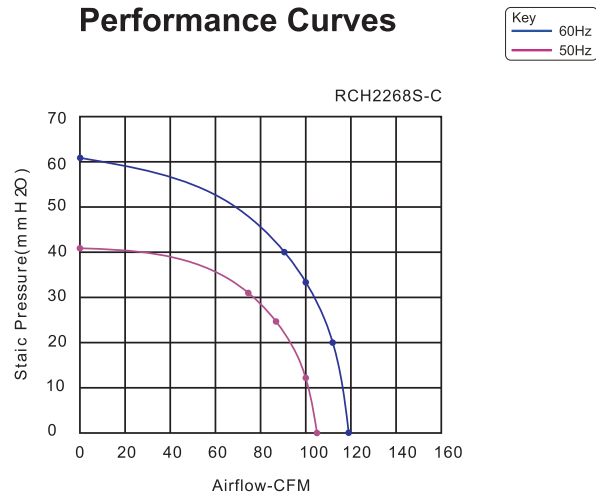


Unit: mm

**General Specification**

- Impeller : PP UL94V-0 Reinforced Plastic(f1)
- Frame : PP UL94V-0 Reinforced Plastic(f1)
- Lead Wire : SPT-2(W)OR Customize Design(Optional)
- Motor : Capacitor-Run Induction Motor
- Operation Temperature : -10°C~+65°C  
35%~85%RH
- Storage Temperature : -40°C~75°C  
35%~85%RH
-  (100~125V)

**Performance Curves**



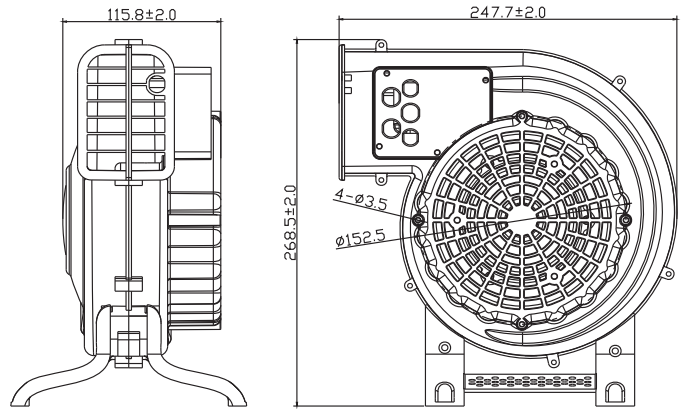
Model	Bearing System	Voltage VAC	Freq. Hz	Current A	Power W	Speed RPM	Noise dBA	Air Flow		Static Pressure (mmH <sub>2</sub> O)	Weight Gram
								M <sup>3</sup> /hr	CFM		
RCH2268S1-C	Sleeve	220~240	50	0.35	75	2500	63	177	104	41	1600
RCH2268S2-C		100~125	60	0.95	108	3000	67	200	118	61	

● All readings are typical values at rated voltage.  
● Specifications are subjected to change without prior notice.

**269 x 116 mm**

**C Series**

**Dimensions Drawing**

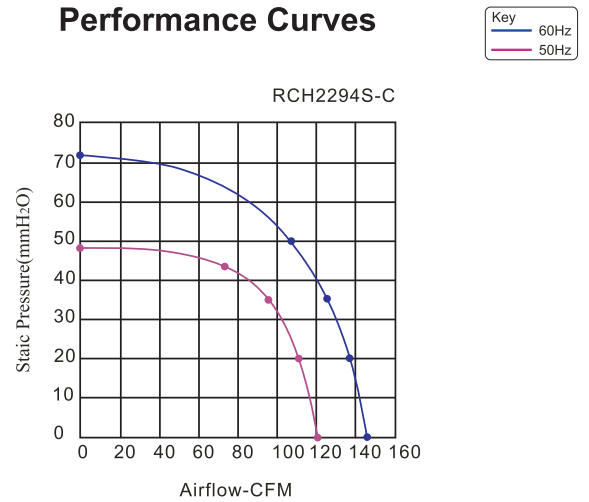


**General Specification**

- Impeller : PP UL94V-0 Reinforced Plastic(f1)
- Frame : PP UL94V-0 Reinforced Plastic(f1)
- Lead Wire : SPT-2(W)OR Customize Design(Optional)
- Motor : Capacitor-Run Induction Motor
- Operation Temperature : -10°C~+65°C  
35%~85%RH
- Storage Temperature : -40°C~75°C  
35%~85%RH
- **CE** (220~240V)
- **UL**® **US** (100~125V)

Unit: mm

**Performance Curves**



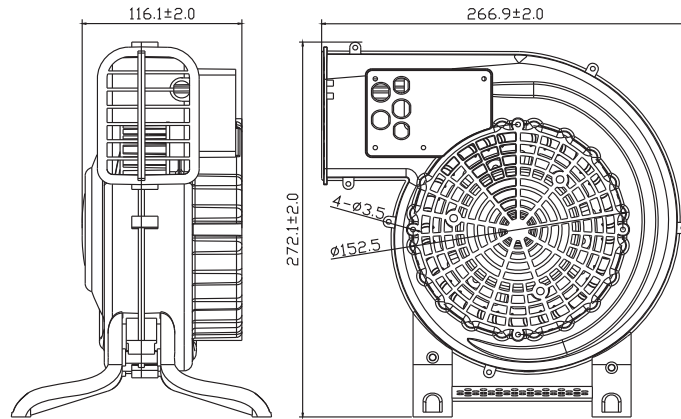
Model	Bearing System	Voltage VAC	Freq. Hz	Current A	Power W	Speed RPM	Noise dBA	Air Flow		Static Pressure (mmH <sub>2</sub> O)	Weight Gram
								M <sup>3</sup> /hr	CFM		
RCH2294S1-C	Sleeve	220~240	50	0.47	100	2500	65	205.7	121	47	1690
RCH2294S2-C		100~125	60	1.25	130	2900	70	248	146	72	

● All readings are typical values at rated voltage.  
● Specifications are subjected to change without prior notice.

272 x 116 mm

C Series

**Dimensions Drawing**



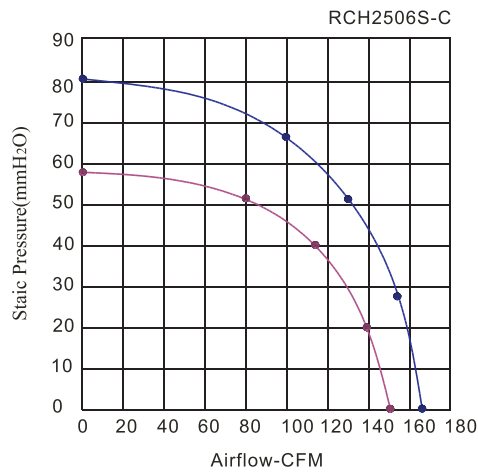
**General Specification**

Unit: mm

- Impeller : PP UL94V-0 Reinforced Plastic
- Frame : PP UL94V-0 Reinforced Plastic
- Lead Wire : SPT-2(W)OR Customize Design(Optional)
- Motor : Capacitor-Run Induction Motor
- Operation Temperature : -10°C~+65°C  
35%~85%RH
- Storage Temperature : -40°C~75°C  
35%~85%RH
- (100~125V)

**Performance Curves**

Key  
— 60Hz  
— 50Hz



Model	Bearing System	Voltage VAC	Freq. Hz	Current A	Power W	Speed RPM	Noise dBA	Air Flow		Static Pressure (mmH <sub>2</sub> O)	Weight Gram
								M <sup>3</sup> /hr	CFM		
RCH2506S1-C	Sleeve	220~240	50	0.60	123	2500	68	256	151	58	1780
RCH2506S2-C		100~125	60	1.67	180	3000	72	280.5	165	81	

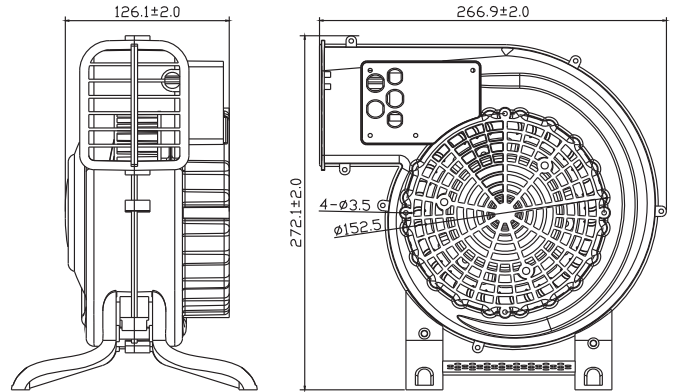
● All readings are typical values at rated voltage.  
● Specifications are subjected to change without prior notice.



**272 x 126 mm**

**C Series**

**Dimensions Drawing**



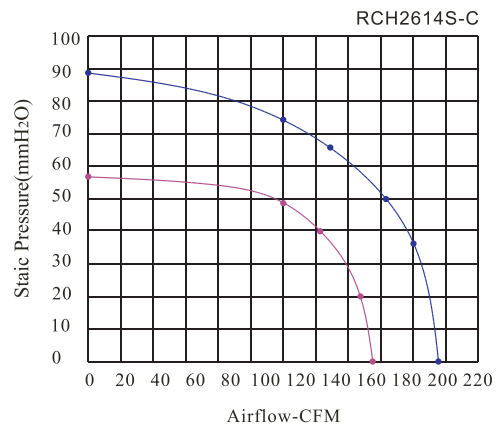
Unit: mm

**General Specification**

- Impeller : PP UL94V-0 Reinforced Plastic
- Frame : PP UL94V-0 Reinforced Plastic
- Lead Wire : SPT-2(W)OR Customize Design(Optional)
- Motor : Capacitor-Run Induction Motor
- Operation Temperature : -10°C~+65°C  
35%~85%RH
- Storage Temperature : -40°C~75°C  
35%~85%RH
- **CE** (220~240V)
- **UL**® **us** (100~125V)

**Performance Curves**

Key  
— 60Hz  
— 50Hz



Model	Bearing System	Voltage VAC	Freq. Hz	Current A	Power W	Speed RPM	Noise dBA	Air Flow		Static Pressure (mmH <sub>2</sub> O)	Weight Gram
								M <sup>3</sup> /hr	CFM		
RCH2614S1-C	Sleeve	220~240	50	0.80	165	2500	69	297	175	56	1960
RCH2614S2-C		100~125	60	1.92	230	3000	75	366	215	88	

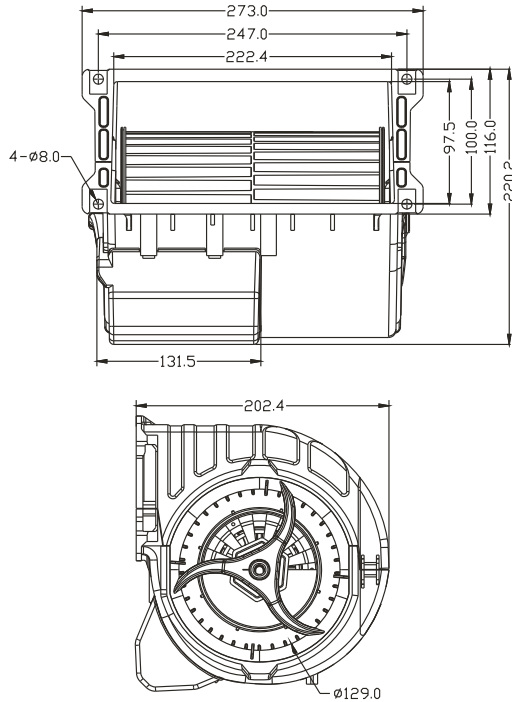
● All readings are typical values at rated voltage.  
● Specifications are subjected to change without prior notice.

**273 x 202 mm**

**C Series**




**Dimensions Drawing**

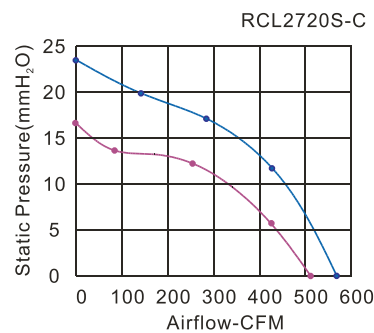


Unit: mm

**General Specification**

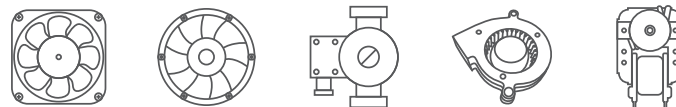
- Impeller : PP UL94V-0 Reinforced Plastic
- Frame : PP UL94V-0 Reinforced Plastic
- Motor : Capacitor-Run Induction and external rotor Motor
- Operation Temperature : -10°C~+70°C  
35%~85%RH
- Storage Temperature : -40°C~75°C  
35%~85%RH
-  (230V)

**Performance Curves**



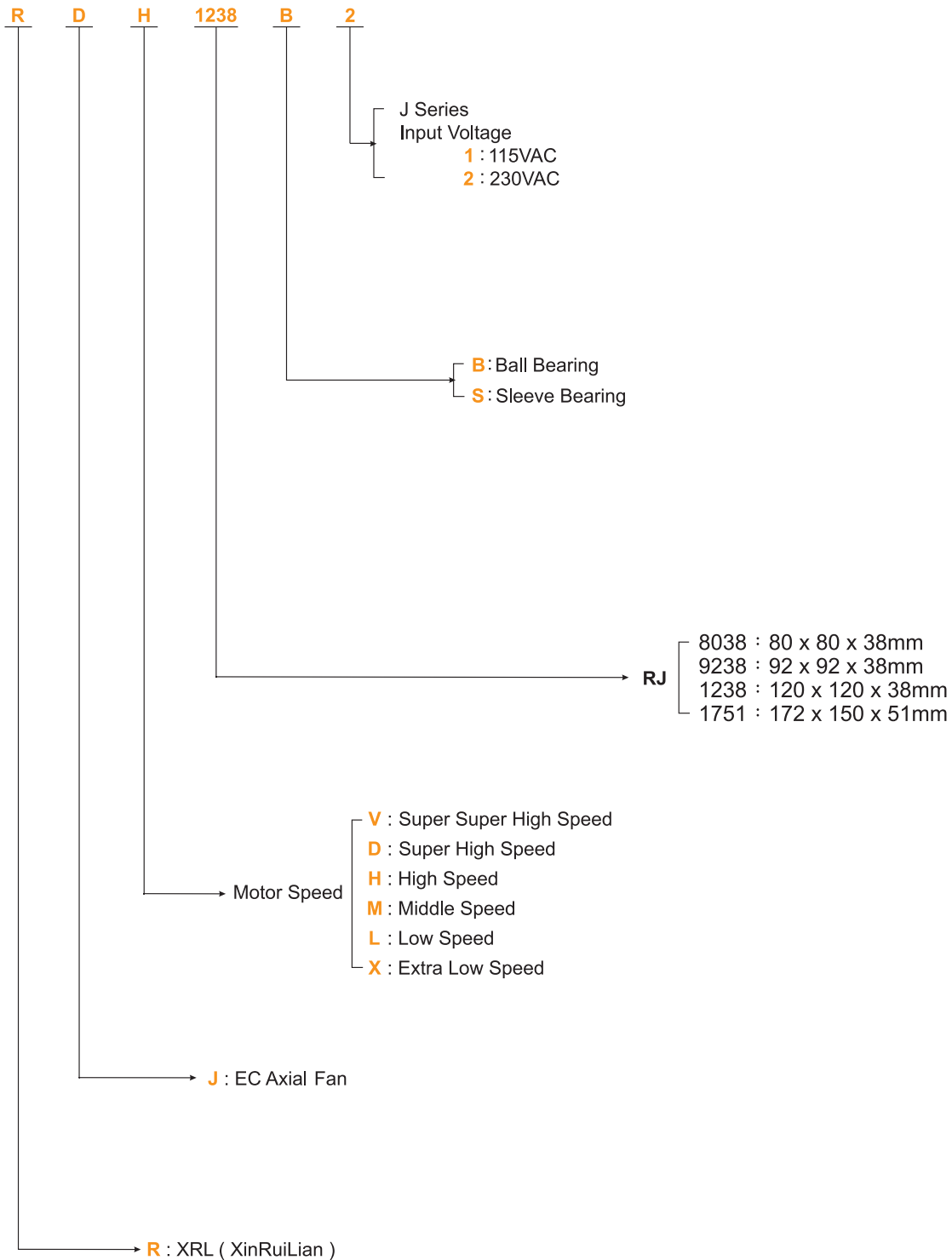
Model	Bearing System	Voltage VAC	Freq. Hz	Current A	Power W	Speed RPM	Noise dBA	Air Flow		Static Pressure (mmH <sub>2</sub> O)	Weight Gram
								M <sup>3</sup> /hr	CFM		
RCL2720S1-C	Sleeve	220~240	50/60	0.96/1.1	175/211	1300/1500	61/63	868/965	511/568	16.6/23.5	3000
RCL2720S2-C		100~125	50/60	1.4/1.7	150/180	1300/1500	61/63	868/965	511/568	16.6/23.5	

● All readings are typical values at rated voltage.  
● Specifications are subjected to change without prior notice.



# EC Series

## Model Numbering System



**Notes:**

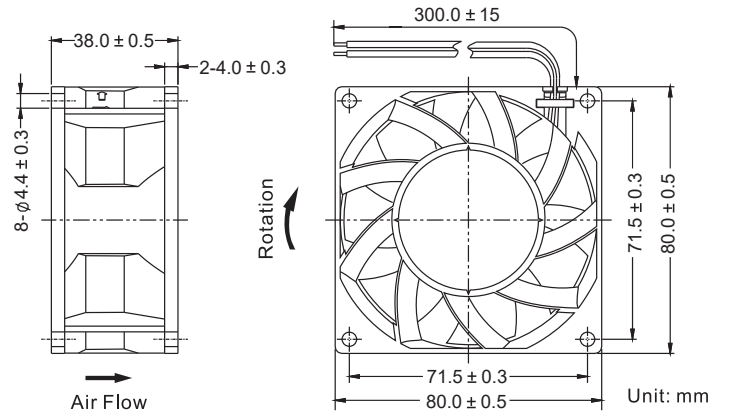
- Parts showing above are standard designs.
- OEM & ODM projects welcomed.

**80 x 80 x 38 mm**

**J Series**

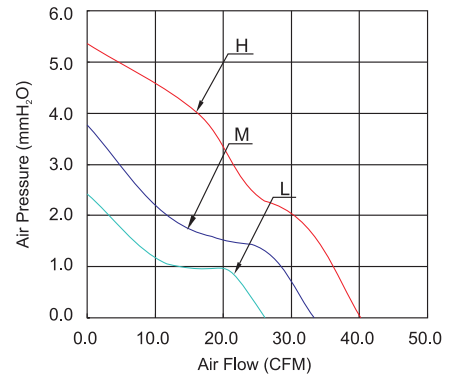


**Dimensions Drawing**



- **General Specification**
- Frame and Impeller : Thermal Plastic , UL 94V-0
- Lead Wires : UL Type
- Operation Temperature : -10°C~70°C  
35%~85%RH
- Storage Temperature : -40°C~80°C  
35%~85%RH
- **CE**

**Performance Curves**



Listed Model	Bearing System	Rated Voltage	Frequency	Operation Voltage	Rated Current	Power	Rated Speed	Air Flow	Air Pressure	Noise Level	Weight
		VAC	Hz	VAC	A	W	RPM	CFM	mmH <sub>2</sub> O	dBA	g
RJH8038B1	Ball	115	50/60	85~132	0.06	5.0	3,000	40.1	5.3	37	155
RJM8038B1				85~132	0.04	2.0	2,500	33.3	3.7	32	
RJL8038B1				85~132	0.03	1.0	2,000	26.1	2.4	26	
RJH8038B2	Ball	230	50/60	140~264	0.05	5.0	3,000	40.1	5.3	37	
RJM8038B2				140~264	0.03	2.0	2,500	33.3	3.7	32	
RJL8038B2				140~264	0.02	1.0	2,000	26.1	2.4	26	

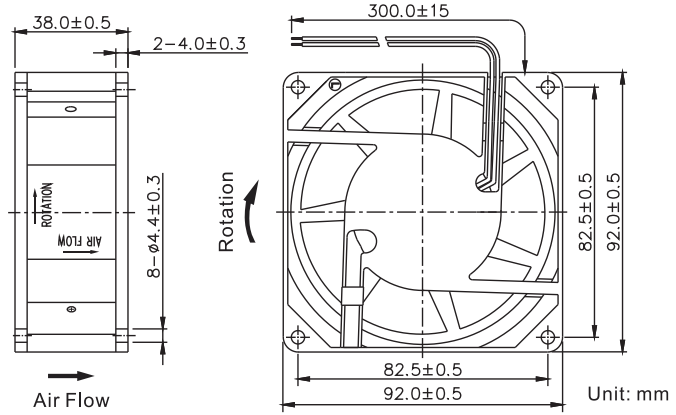
● All readings are typical values at rated voltage.  
● Specifications are subjected to change without prior notice.

**92 x 92 x 38 mm**

**J Series**



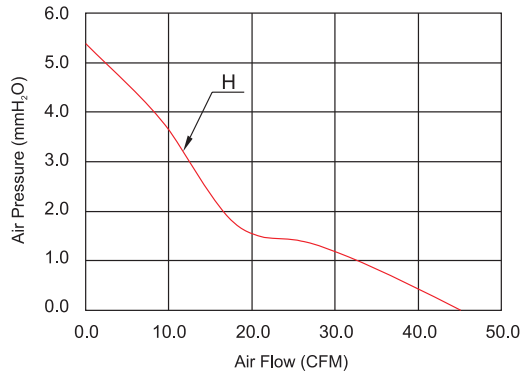
**Dimensions Drawing**



**General Specification**

- Frame : Aluminum Alloy
- Impeller : Thermal Plastic , UL 94V-0
- Lead Wires : UL Type
- Operation Temperature : -10°C~70°C  
35%~85%RH
- Storage Temperature : -40°C~80°C  
35%~85%RH

**Performance Curves**



Listed Model	Bearing System	Rated Voltage	Frequency	Operation Voltage	Rated Current	Power	Rated Speed	Air Flow	Air Pressure	Noise Level	Weight
		VAC	Hz	VAC	A	W	RPM	CFM	mmH <sub>2</sub> O	dBA	g
RJH9238B	Ball	230	50	140~264	0.03	3.0	3,000	45.2	5.4	36	300

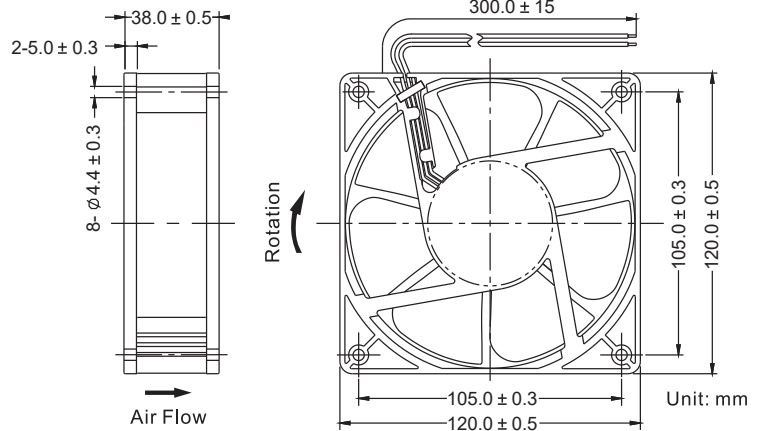
● All readings are typical values at rated voltage.  
● Specifications are subjected to change without prior notice.

**120x120x38 mm**

**J Series**

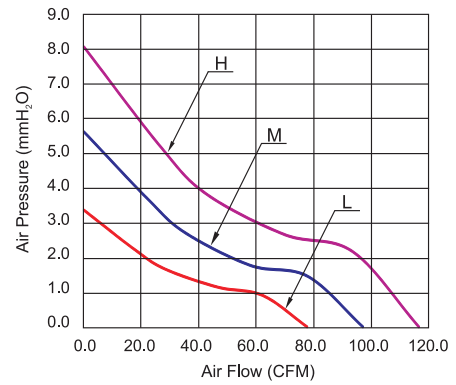


**Dimensions Drawing**



- **General Specification**
- Frame and Impeller : Thermal Plastic , UL 94V-0
- Lead Wires : UL Type
- Operation Temperature : -10°C~70°C  
35%~85%RH
- Storage Temperature : -40°C~80°C  
35%~85%RH
- 

**Performance Curves**



Listed Model	Bearing System	Rated Voltage	Frequency	Operation Voltage	Rated Current	Power	Rated Speed	Air Flow	Air Pressure	Noise Level	Weight
		VAC	Hz	VAC	A	W	RPM	CFM	mmH <sub>2</sub> O	dBA	g
RJH1238B2	Ball	230	50/60	140~264	0.05	6.0	3,000	116.3	8.0	45	270
RJM1238B2				140~264	0.04	4.0	2,500	96.8	5.6	40	
RJL1238B2				140~264	0.03	2.5	2,000	77.4	3.3	35	
RJH1238B	Ball	115/230	50/60	85~264	0.12	8.0	3,000	116.3	8.0	45	
RJM1238B				85~264	0.10	6.0	2,500	96.8	5.6	40	
RJL1238B				85~264	0.08	4.0	2,000	77.4	3.3	35	

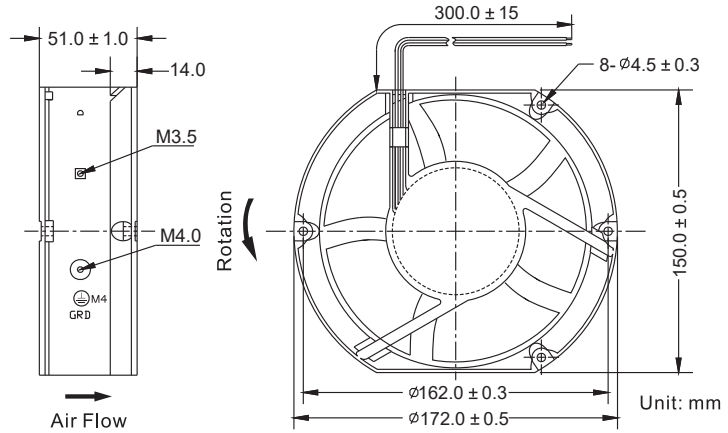
● All readings are typical values at rated voltage.  
● Specifications are subjected to change without prior notice.

**172x150x51 mm**

**J Series**



**Dimensions Drawing**

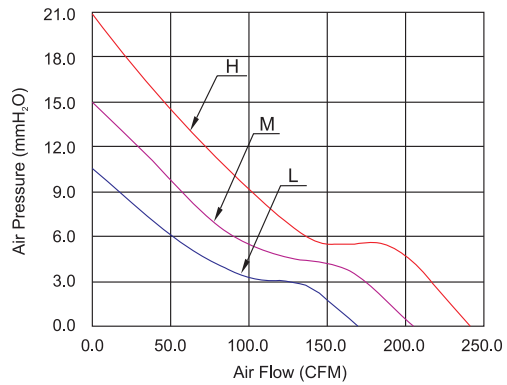


**General Specification**

- Frame : Aluminum Alloy
- Impeller : Thermal Plastic , UL 94V-2
- Lead Wires : UL Type
- Operation Temperature : -10°C~70°C  
35%~85%RH
- Storage Temperature : -40°C~80°C  
35%~85%RH



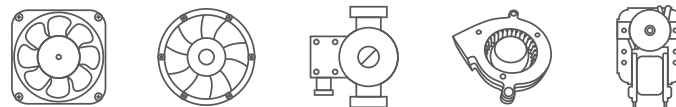
**Performance Curves**



Listed Model	Bearing System	Rated Voltage	Frequency	Operation Voltage	Rated Current	Power	Rated Speed	Air Flow	Air Pressure	Noise Level	Weight
		VAC	Hz	VAC	A	W	RPM	CFM	mmH <sub>2</sub> O	dBA	g
RJH1751B	Ball	115/230	50/60	90~264	0.40	30.0	3,500	241.0	20.9	59	646
RJM1751B				90~264	0.30	20.0	3,000	205.0	15.0	54	
RJL1751B				90~264	0.20	12.0	2,500	170.0	10.6	49	

● All readings are typical values at rated voltage.  
● Specifications are subjected to change without prior notice.

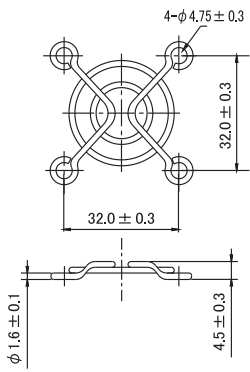




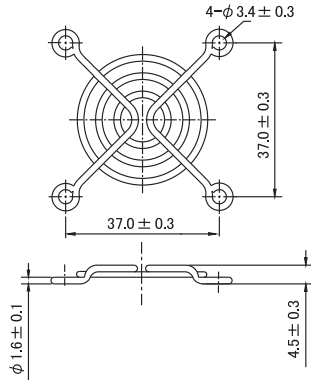
# Accessories

## Metallic Finger Guard

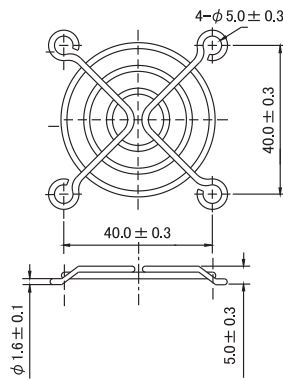
**MGM4040**



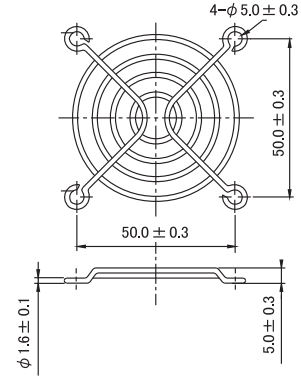
**MGM4545**



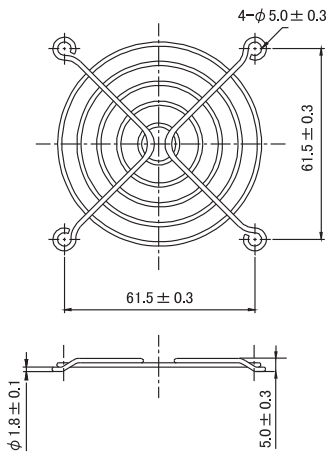
**MGM5050**



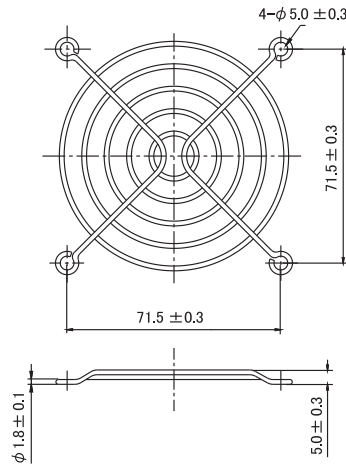
**MGM6060**



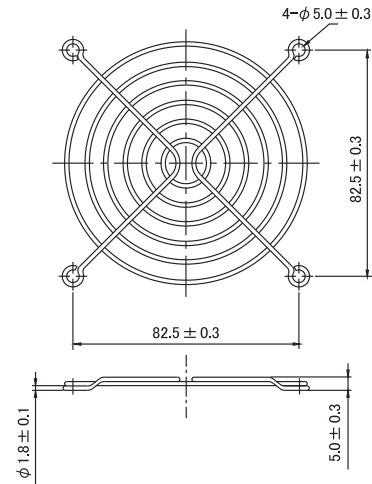
**MGM7070**



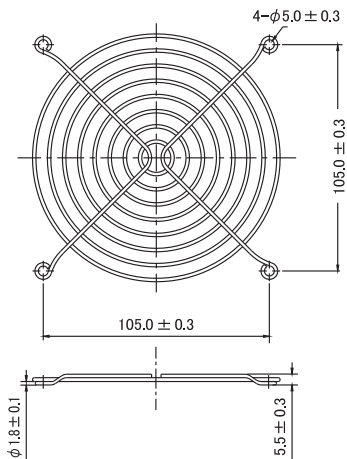
**MGM8080**



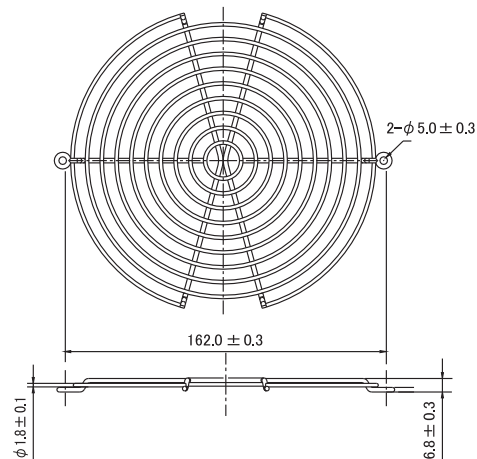
**MGM9292**



**MGM1212**



**MFG1715**

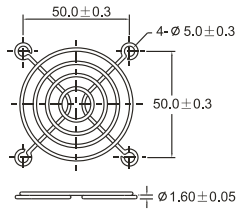


Unit: mm

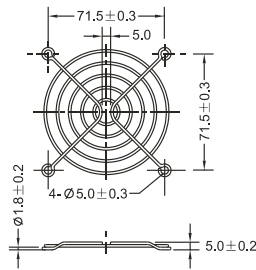
- All readings are typical values at rated voltage.
- Specifications are subjected to change without prior notice.

# Metal Finger Guard

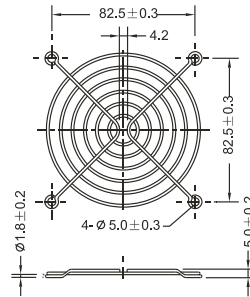
**MFG6060**



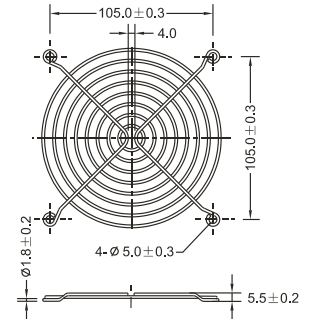
**MFG8080**



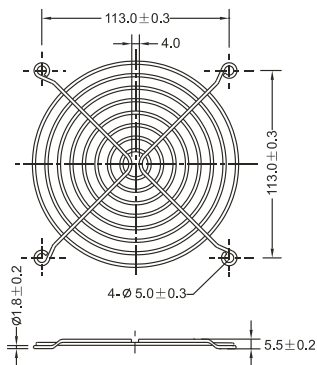
**MFG9292**



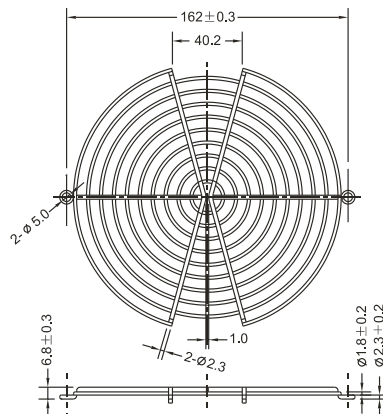
**MFG1212**



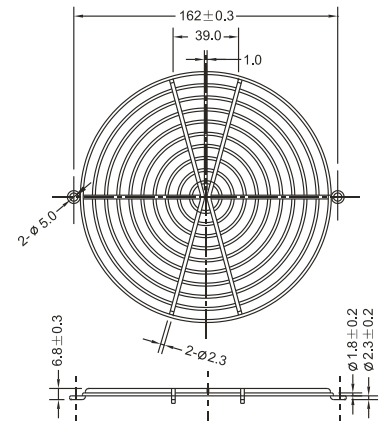
**MFG1270**



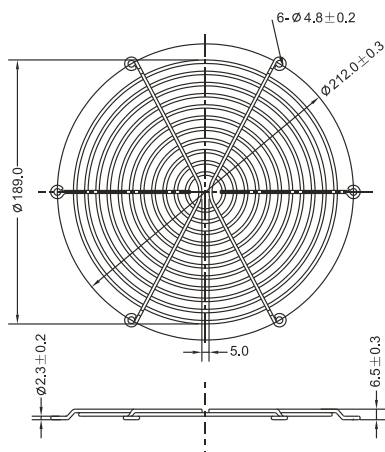
**MFG1715**



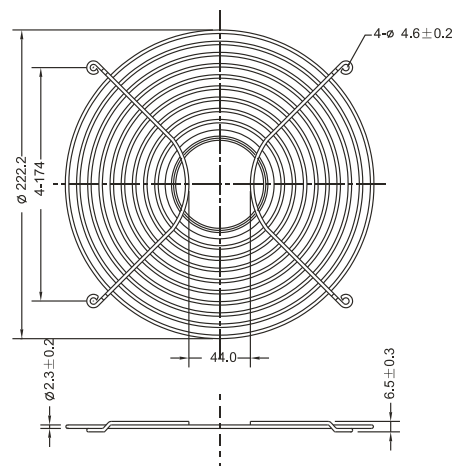
**MFG1500**



**MFG2200**



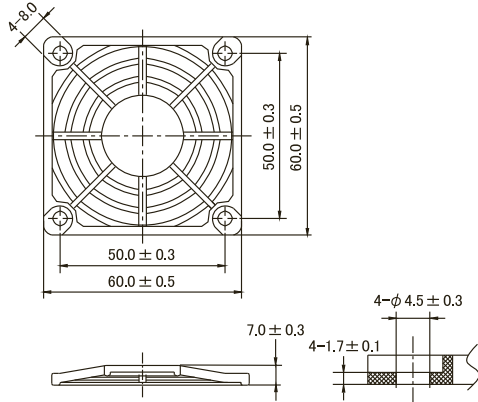
**MFG2589**



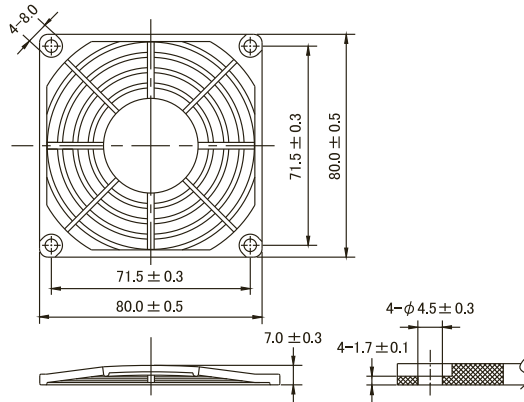
- All readings are typical values at rated voltage.
- Specifications are subjected to change without prior notice.

## Plastic Ginger Guard

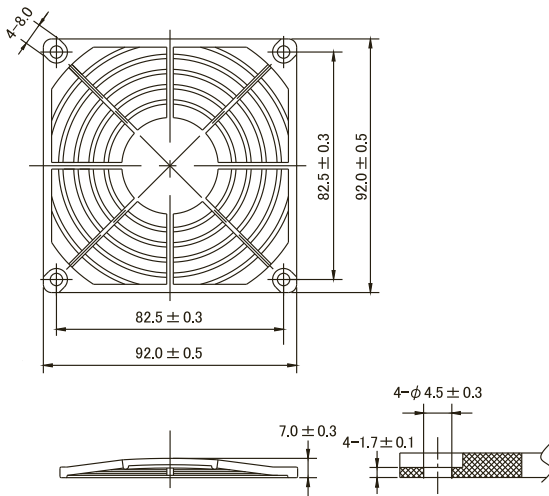
**MGP6060**



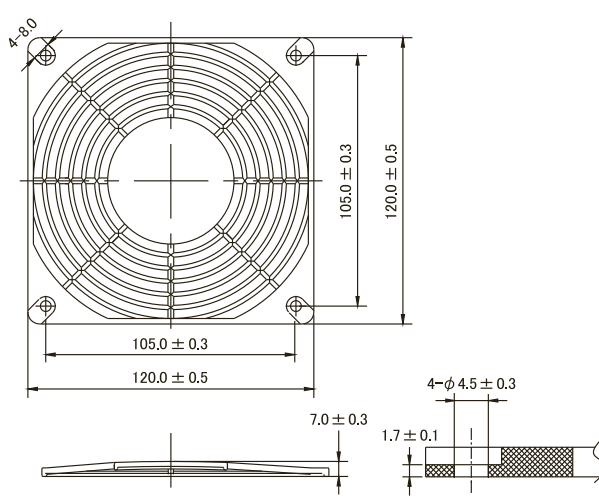
**MGP8080**



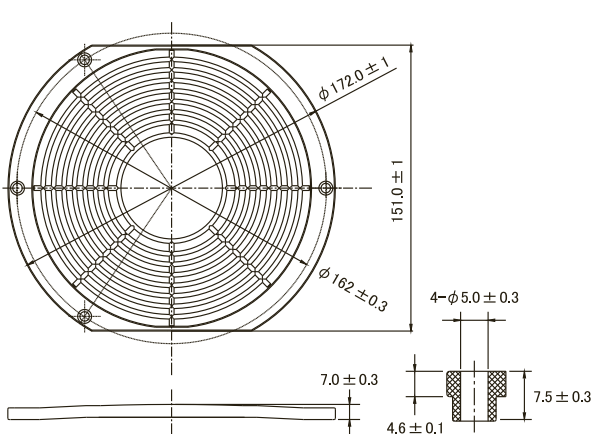
**MGP9292**



**MGP1212**



**PFG1715**

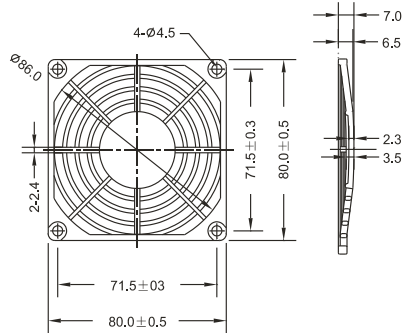


Unit:mm

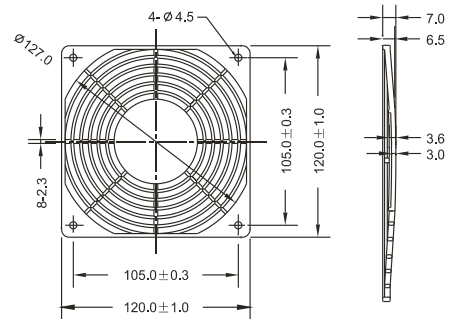
- All readings are typical values at rated voltage.
- Specifications are subjected to change without prior notice.

# Plastic Finger Guard

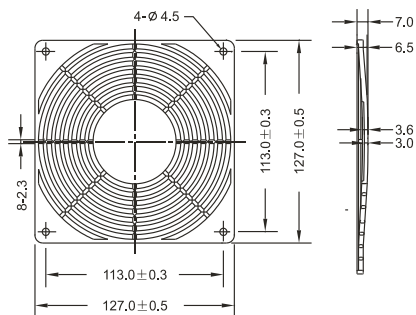
**PFG8080**



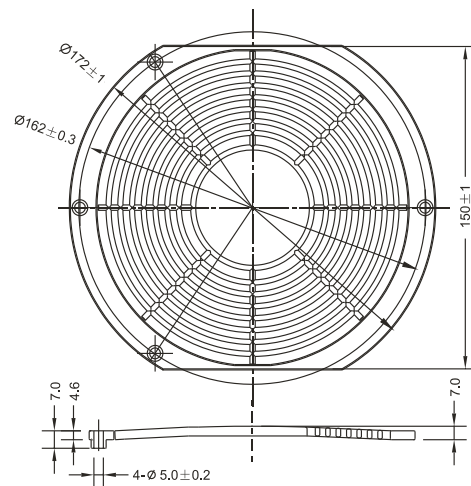
**PFG1212**



**PFG1270**



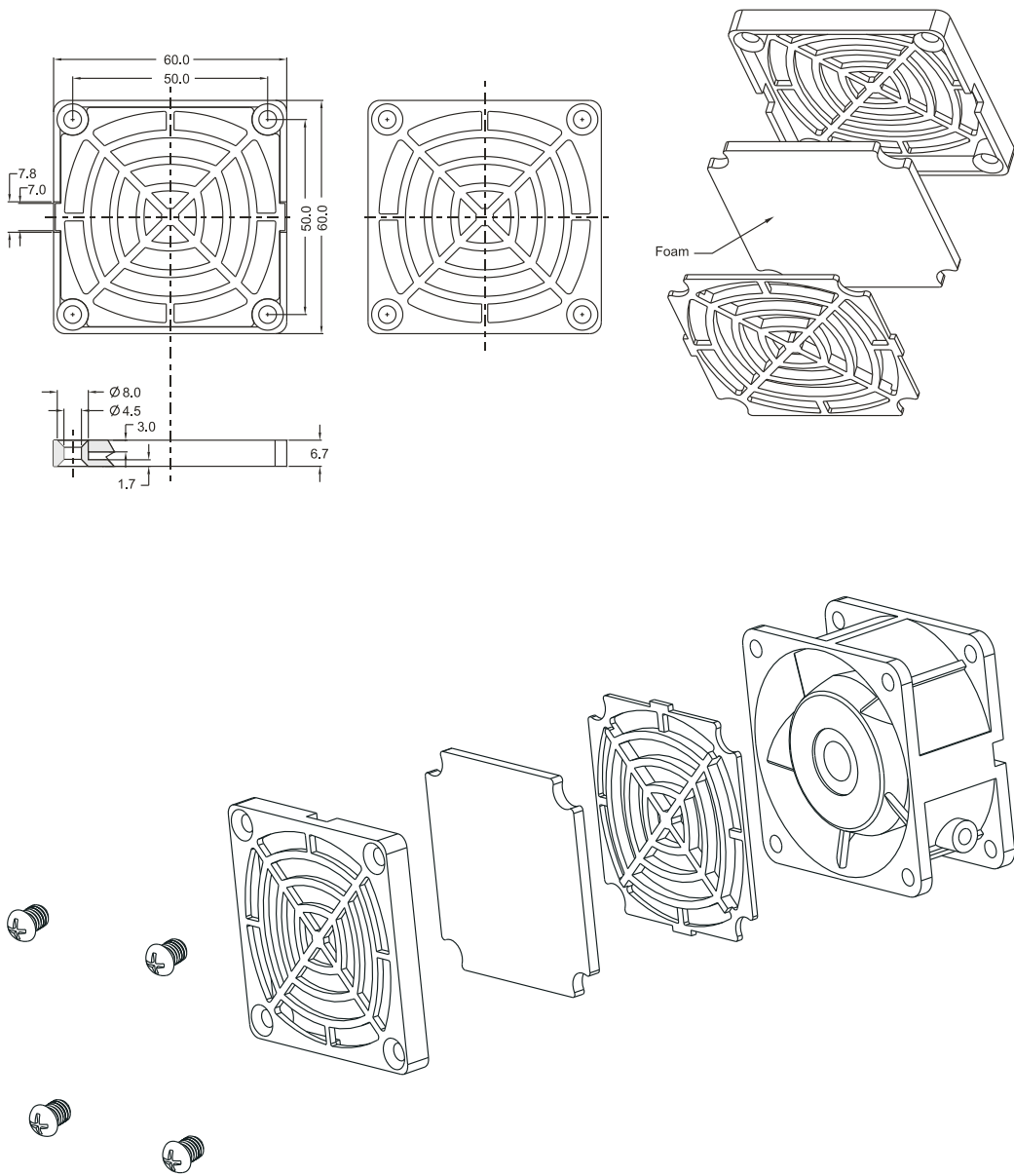
**PFG1715**



- All readings are typical values at rated voltage.
- Specifications are subjected to change without prior notice.

# Thermoplastic Finger Kits

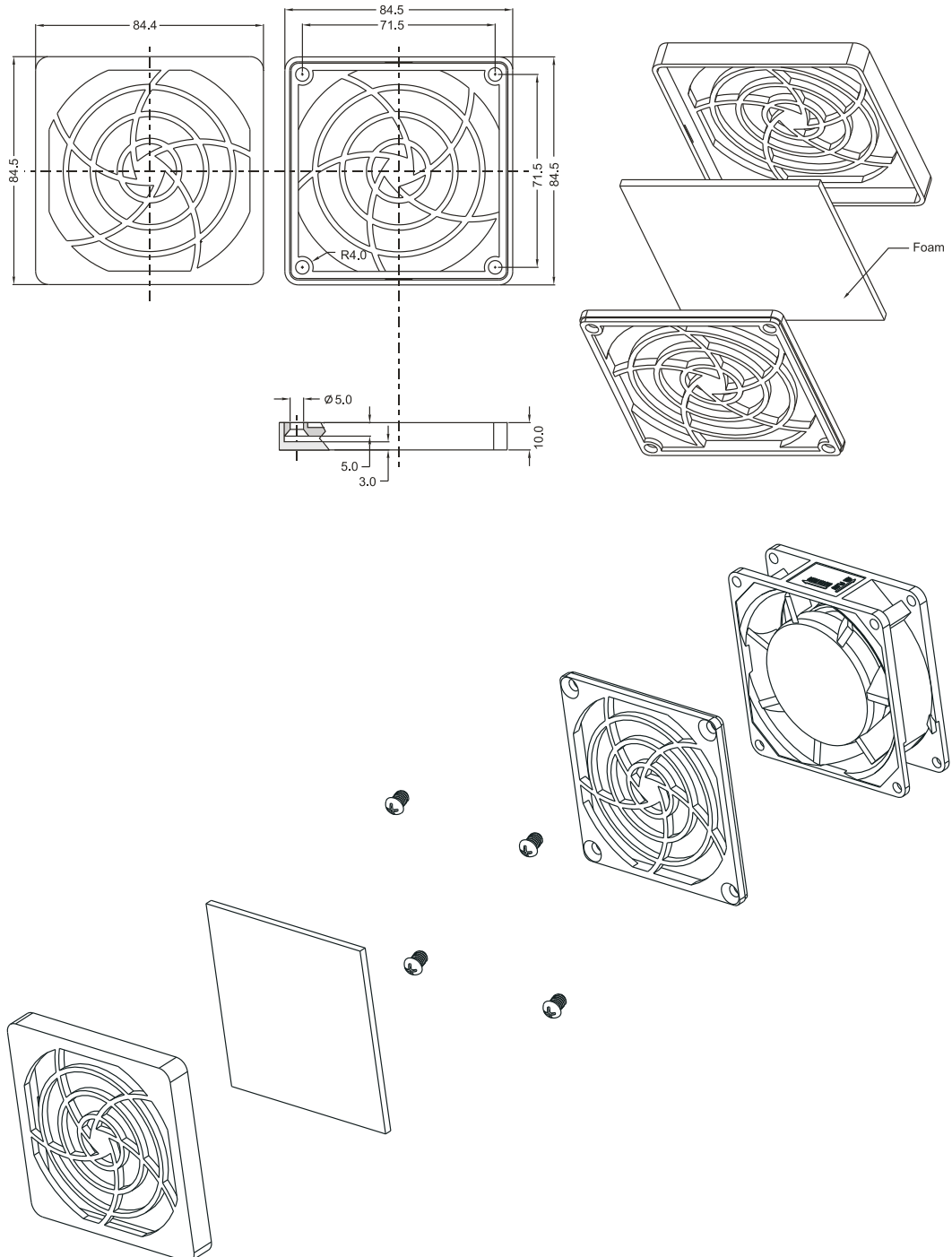
## PFP6060



- All readings are typical values at rated voltage.
- Specifications are subjected to change without prior notice.

## Thermoplastic Finger Kits

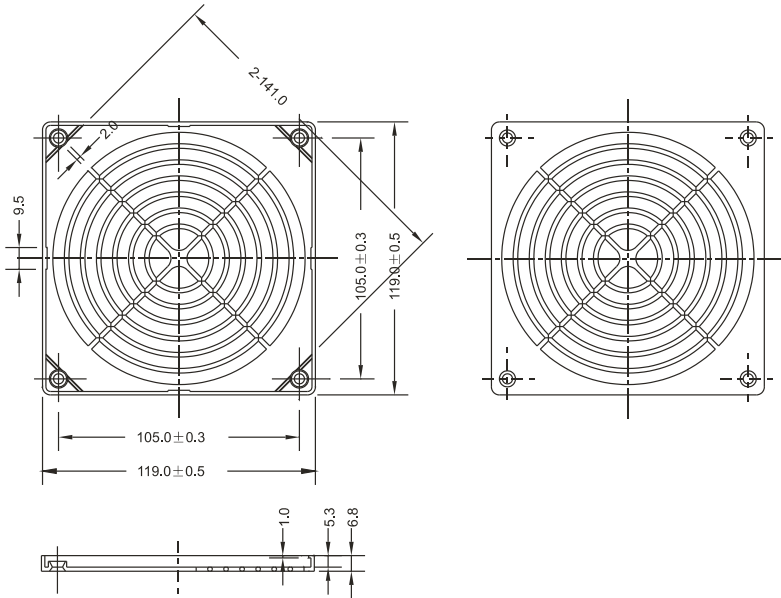
### PFP8080



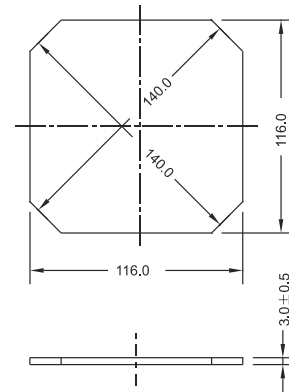
- All readings are typical values at rated voltage.
- Specifications are subjected to change without prior notice.

## Thermoplastic Finger Kits

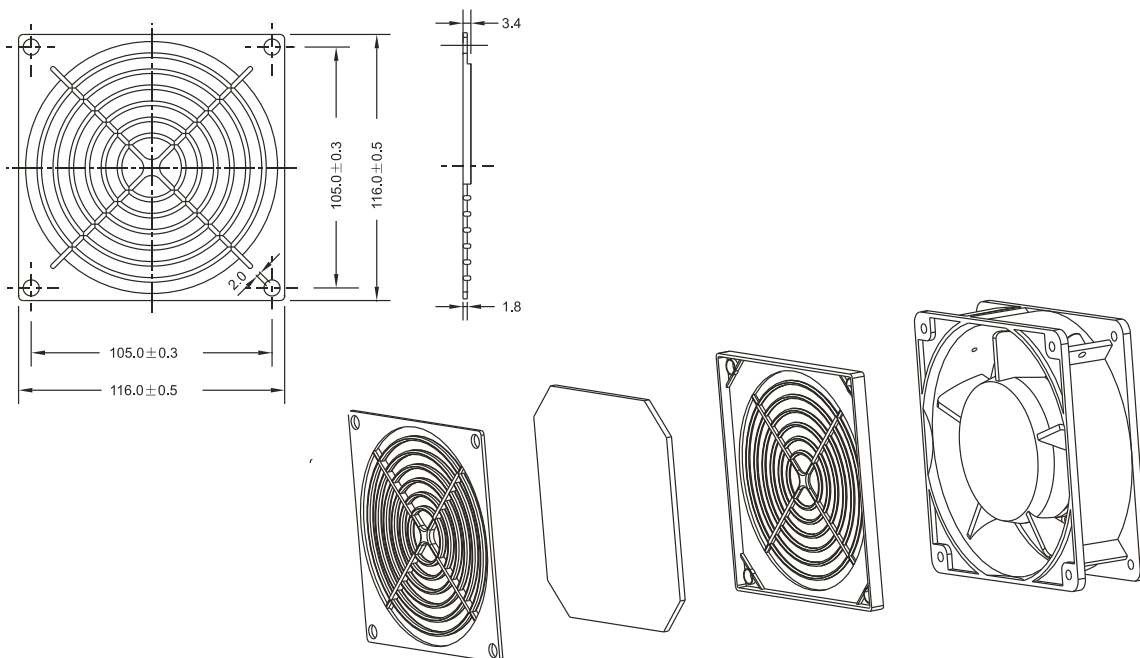
### PFP1212-1



### PFP1212-2(Filter)



### PFP1212-3

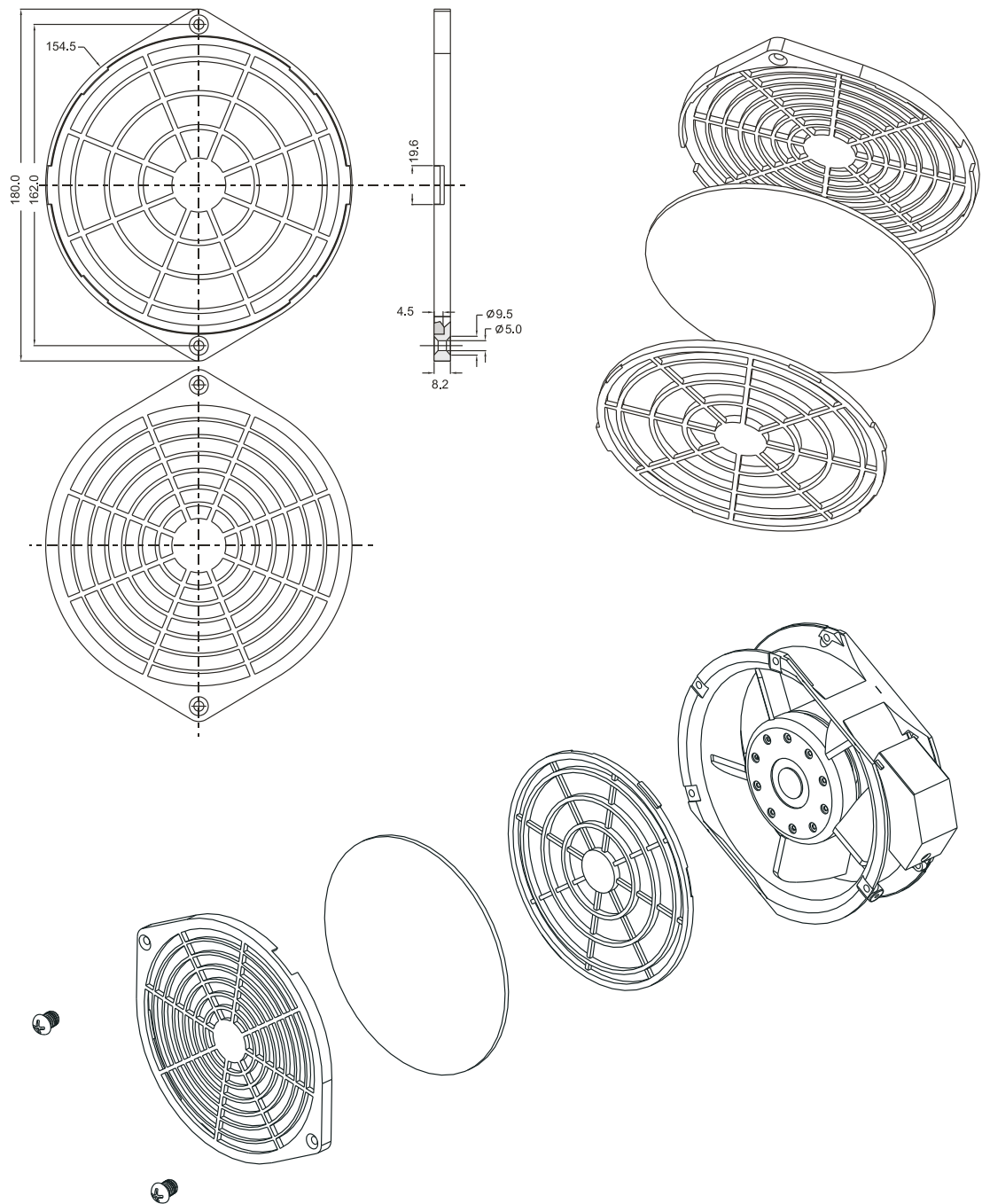


- All readings are typical values at rated voltage.
- Specifications are subjected to change without prior notice.



## Thermoplastic Finger Kits

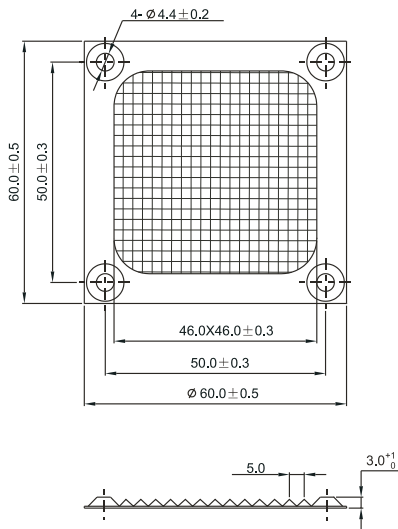
### PPF1715



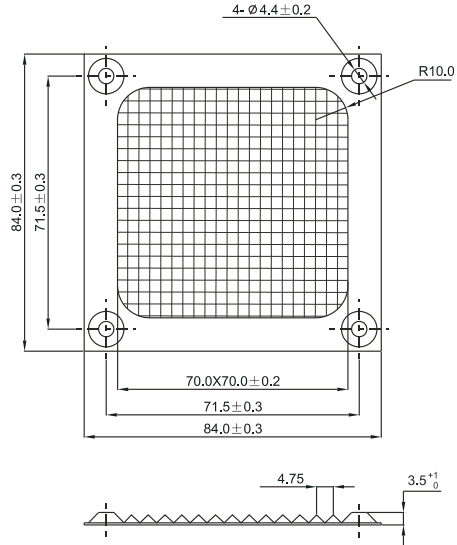
- All readings are typical values at rated voltage.
- Specifications are subjected to change without prior notice.

# Corrugated Aluminum Filters

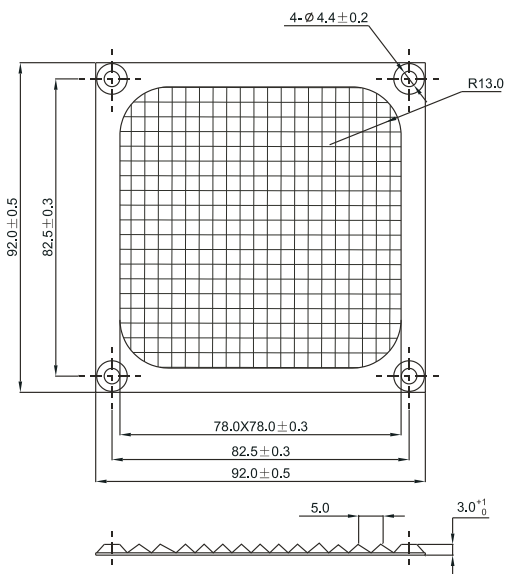
**MFP6060**



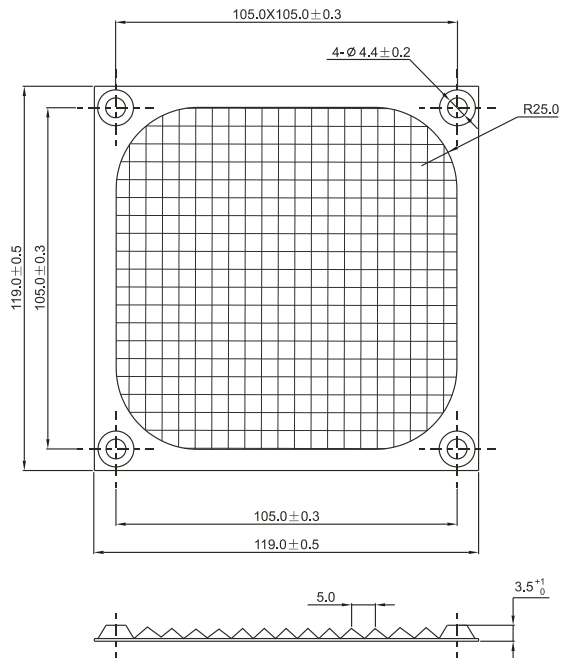
**MFP8080**



**MFP9292**



**MFP1212**



- All readings are typical values at rated voltage.
- Specifications are subjected to change without prior notice.





**MOTRAXX**  
ELEKTROGERÄTE GMBH  
Steinbacher Straße 47- 51  
90590 Burgthann / Germany  
+49 (0) 9188 9405 60  
info@motraxx.com  
www.motraxx.com