

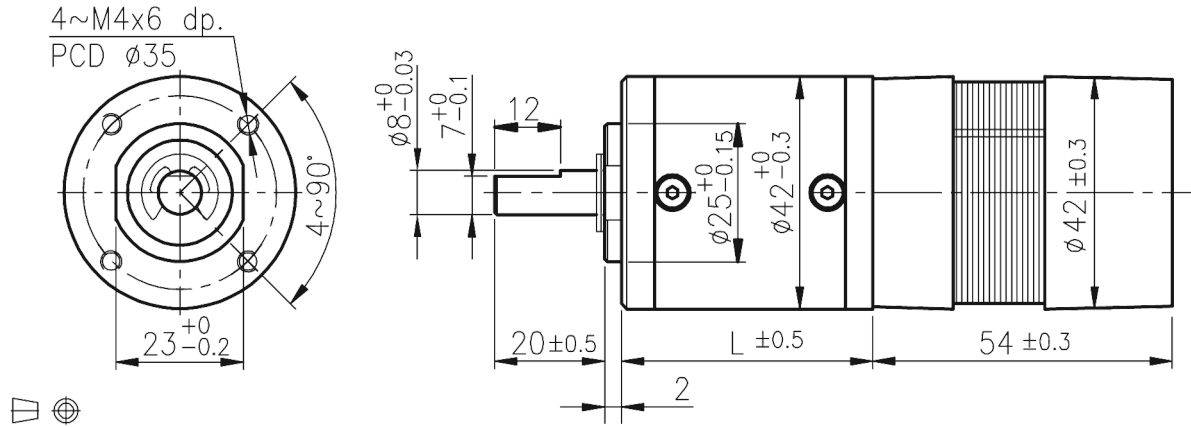


IG-42HGM - Series (brushless)



Beispielhafte Motordaten / Exemplary Motorperformance

REDUCTION RATIO	i	15/1	17/1	20/1	25/1	51/1	64/1	84/1	100/1	120/1	180/1	222/1	294/1	500/1	600/1	720/1	1062/1	1470/1	2500/1	3000/1	3600/1	
LENGTH L	mm	39.2	39.2	39.2	39.2	45.9	45.9	45.9	45.9	45.9	52.6	52.6	52.6	52.6	52.6	52.6	59.6	59.6	59.6	59.6	59.6	
12V	RATED TORQUE	mNm	200	230	280	350	600	750	1000	1200	1800	2200	2900	3000	3000	3000	3000	3000	3000	3000	3000	3000
	RATED SPEED	rpm	200	175	150	115	58	47	35	30	25	16	13	10	6.2	5.2	4.5	3.0	2.3	1.3	1.15	0.95
24V	RATED TORQUE	mNm	360	430	500	650	1100	1400	1800	2000	2500	2500	3000	3000	3000	3000	3000	3000	3000	3000	3000	3000
	RATED SPEED	rpm	300	260	220	170	85	69	52	44	37	25	20	15	8.9	7.5	6.3	4.3	3.1	1.8	1.6	1.3



IG-52GM - Series (Type 01 & 02)



Beispielhafte Motordaten / Exemplary Motorperformance

REDUCTION RATIO	i	3/1	4/1	12/1	15/1	19/1	43/1	53/1	66/1	81/1	100/1	113/1	150/1	230/1	285/1	353/1	488/1	546/1	676/1			
LENGTH L	mm	53.0	53.0	68.5	68.5	68.5	84.0	84.0	84.0	84.0	84.0	84.0	99.5	99.5	99.5	99.5	99.5	99.5	99.5			
12V	RATED TORQUE	mNm	130	165	410	500	630	1200	1500	1900	2300	2800	3200	3600	5500	6800	8400	10000	10000	10000		
	RATED SPEED	rpm	1560	1260	450	369	305	130	105	85	68.5	55.5	49.5	37	24	19.5	15.5	11.5	10.4	8.3		
24V	RATED TORQUE	mNm	180	220	550	680	850	1600	2000	2500	3100	3900	4400	4800	7400	9200	10000	10000	10000	10000		
	RATED SPEED	rpm	1520	1230	444	359	290	127	102	83	66.5	54	48	36	23.5	19	15.5	11.6	10.5	8.4		

