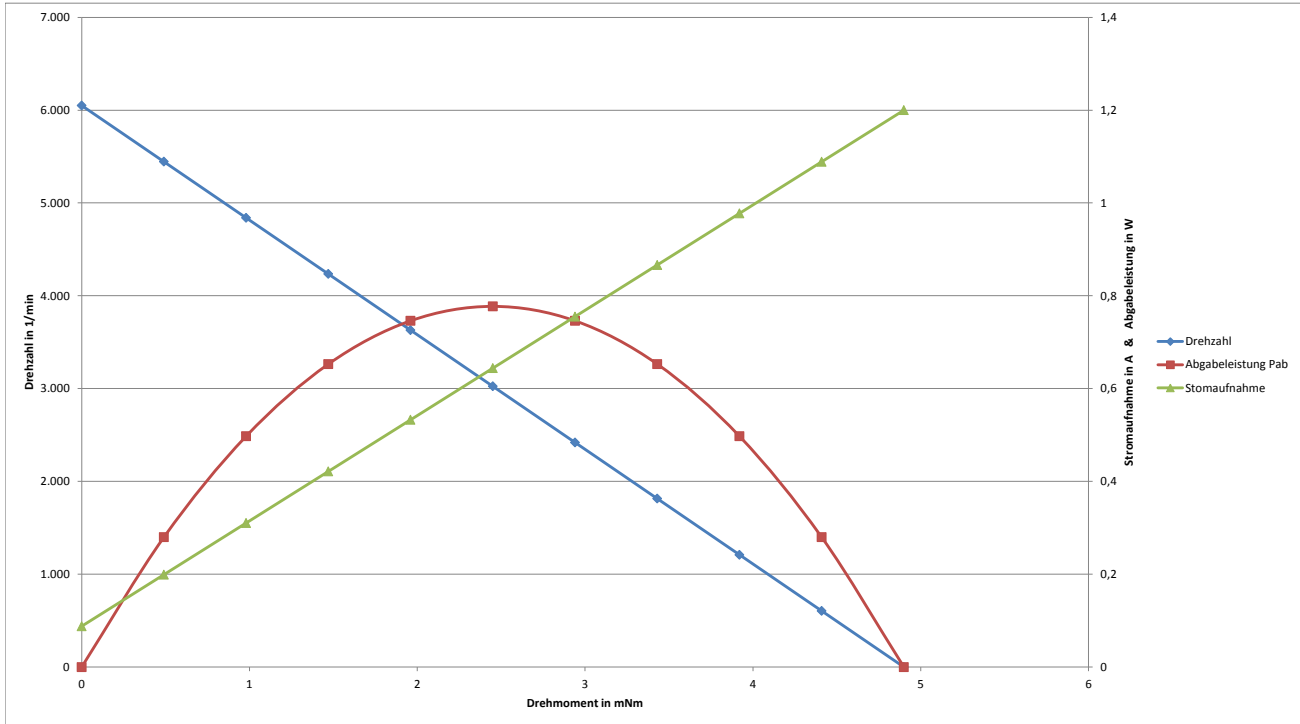
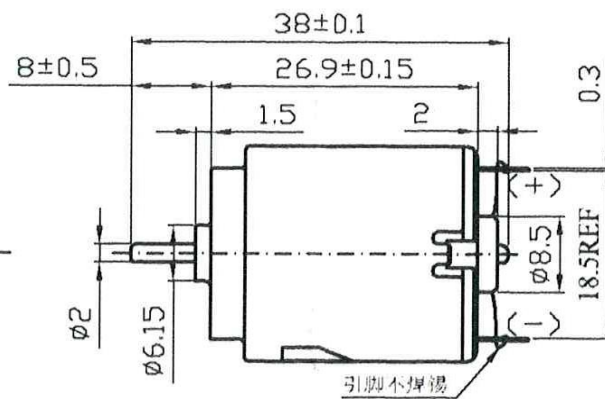
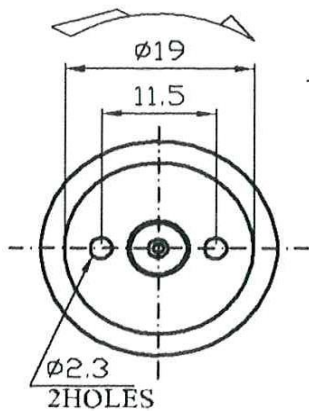


MODEL	VOLTAGE		NO LOAD		AT MAXIMUM EFFICIENCY				STARTING		max. OUTPUT POWER	POLES	CAPACITOR	BRUSHES
	Operating Range	Nominal	Speed	Current	Speed	Current	Torque	Output Power	Current	Torque				
	VDC	VDC	rpm	A	rpm	A	mNm	W	A	mNm				
SR30-18150-38HRA+V+C	1,5-4,5	3,0	6.050	0,09	4.760	0,33	1,05	0,52	1,20	4,90	0,79	3	47nF	metal



DIRECTION OF ROTATION



UNIT: MILLIMETER

