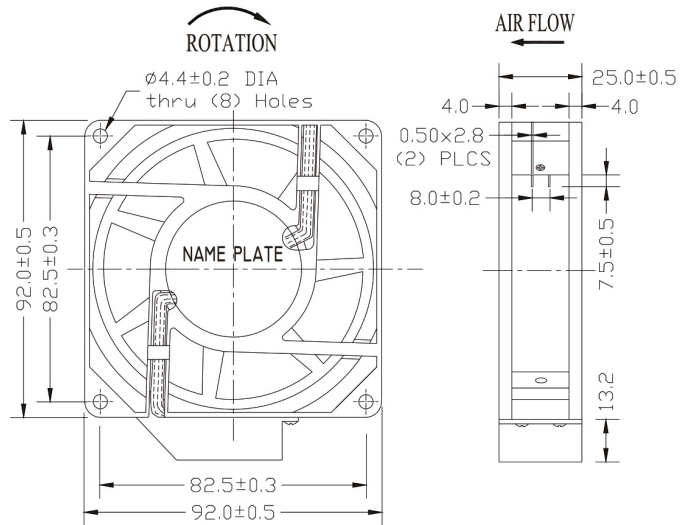
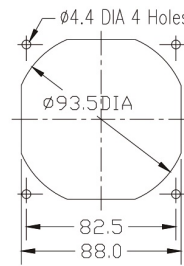


Axial Fan 92 x 92 x 25 mm

High Air Flow



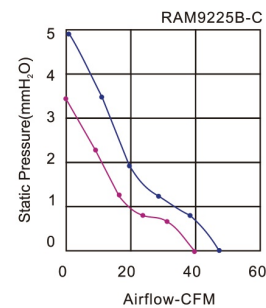
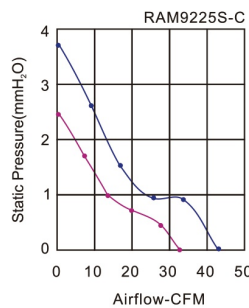
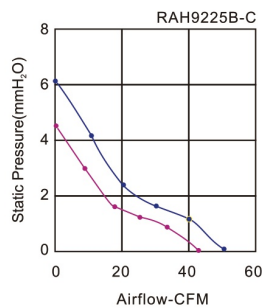
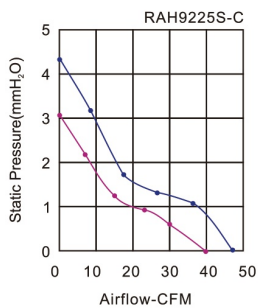
Size: 92mmx92mmx25mm
Airflow: 53~85m³/hr
 31~50CFM
Weight: 280g
Noise: 25~34dBA
Impeller: PA6 UL94V-0 Reinforced Plastic
Frame: Aluminum Alloy
Terminals: 0.5mm
Lead Wire: AWG#24 UL 1430
 (Optional)
Motor: Capacitor-Run Induction Motor
Safety: UL.CUL.TUV.CE
Operation Temperature: -10°C~+65°C



Inlet/Outlet

Unit:mm

Model	Bearing System	Voltage VAC	Freq. Hz	Current A	Power W	Speed RPM	Noise dBA	Air Flow		Static Pressure (mmH ₂ O)	Weight Gram
								M ³ /hr	CFM		
RAH9225S1-C	Sleeve	220~240	50/60	0.08/0.09	17/18	2350/2850	26/31	66/80	39/47	3.1/4.4	280
RAM9225S1-C		220~240	50/60	0.07/0.07	15/15	2100/2600	25/29	53/71	31/42	2.4/3.7	
RAH9225S2-C		100~125	50/60	0.15/0.16	17/18	2350/2850	26/31	66/80	39/47	3.1/4.4	
RAM9225S2-C		100~125	50/60	0.11/0.11	13/13	2100/2600	25/29	53/71	31/42	2.4/3.7	
RAH9225B1-C	Ball	220~240	50/60	0.08/0.09	17/18	2700/3200	30/34	71/85	42/50	4.3/6.0	
RAM9225B1-C		220~240	50/60	0.07/0.07	15/15	2400/2950	27/32	66/82	39/48	3.3/4.8	
RAH9225B2-C		100~125	50/60	0.15/0.16	17/18	2700/3200	30/34	71/85	42/50	4.3/6.0	
RAM9225B2-C		100~125	50/60	0.13/0.13	15/15	2400/2950	27/32	66/82	39/48	3.3/4.8	



Key
 — 60Hz
 — 50Hz