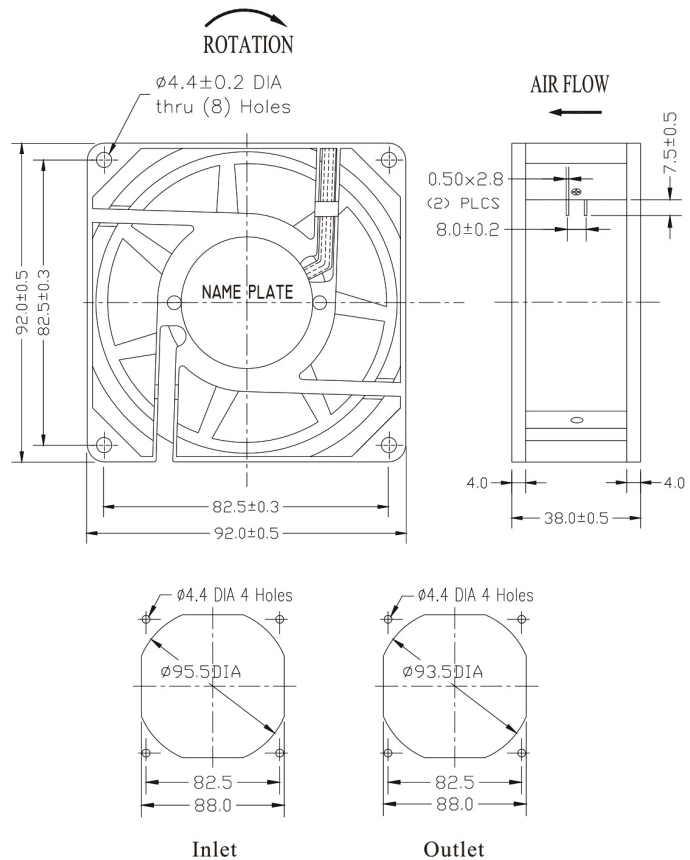


# Axial Fan 92 x 92 x 38 mm



**Size:** 92mmx92mmx38mm  
**Airflow:** 63~85m<sup>3</sup>/hr  
 37~50CFM  
**Weight:** 350g  
**Noise:** 25~35dBA  
**Impeller:** PA6 UL94V-0 Reinforced Plastic  
**Frame:** Aluminum Alloy  
**Terminals:** 0.5mm  
**Lead Wire:** AWG#22 UL 1430  
 (Optional)  
**Motor:** Shaded Pole Induction Motor  
**Safety:** UL.CUL.TUV.CE  
**Operation Temperature:** -10°C~+70°C

Unit:mm

Model	Bearing System	Voltage VAC	Freq. Hz	Current A	Power W	Speed RPM	Noise dBA	Air Flow		Static Pressure (mmH <sub>2</sub> O)	Weight Gram
								M <sup>3</sup> /hr	CFM		
RAH9238S1	Sleeve	220~240	50/60	0.10/0.08	17/13	2350/2750	26/31	66/78	39/46	3.6/5.2	350
RAM9238S1		220~240	50/60	0.07/0.06	11/8	2200/2500	25/27	63/70	37/41	3.3/4.0	
RAH9238S2		100~125	50/60	0.23/0.18	17/13	2350/2750	26/31	66/78	39/46	3.6/5.2	
RAM9238S2		100~125	50/60	0.12/0.09	9/7	2200/2500	25/27	63/70	37/41	3.3/4.0	
RAD9238B1	Ball	220~240	50/60	0.10/0.08	17/13	2600/3000	31/35	72/85	42/50	4.5/6.1	
RAH9238B1		220~240	50/60	0.10/0.08	17/13	2350/2750	27/32	66/78	39/46	3.6/5.2	
RAM9238B1		220~240	50/60	0.07/0.06	11/8	2250/2600	26/28	65/75	38/44	3.7/4.6	
RAD9238B2		100~125	50/60	0.23/0.18	17/13	2600/3000	31/35	72/85	42/50	4.5/6.1	
RAH9238B2		100~125	50/60	0.23/0.18	17/13	2350/2750	27/32	66/78	39/46	3.6/5.2	
RAM9238B2		100~125	50/60	0.12/0.09	9/7	2250/2600	26/28	65/75	38/44	3.7/4.6	

