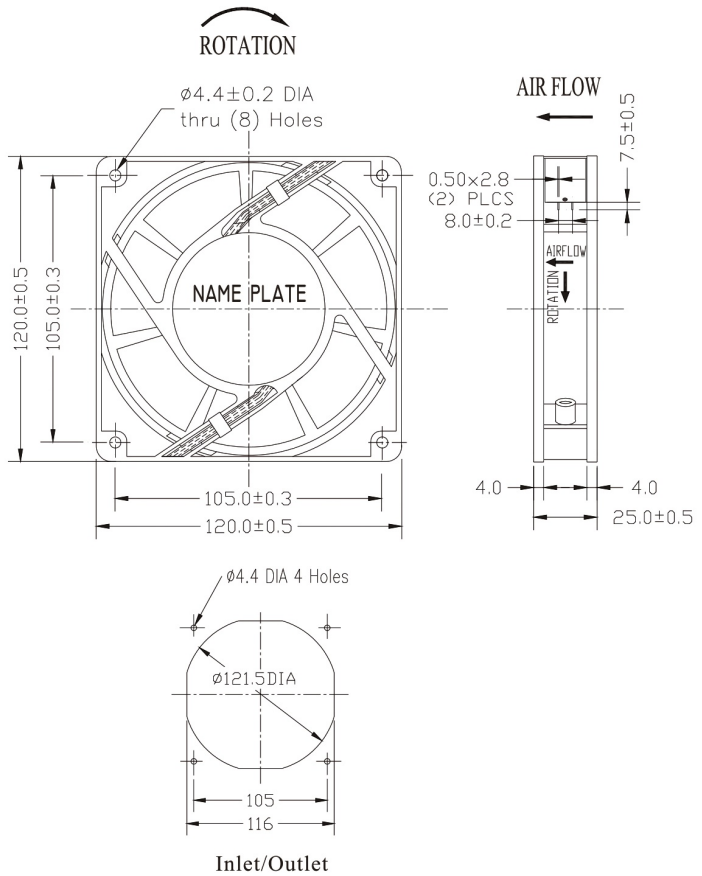


Axial Fan 120 x 120 x 25 mm

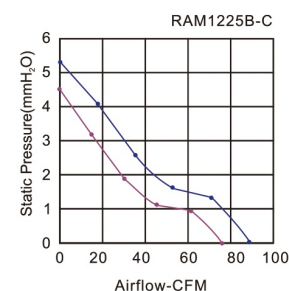
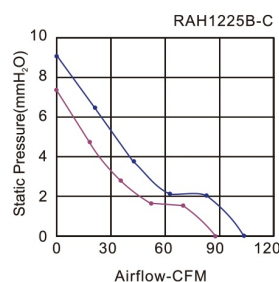
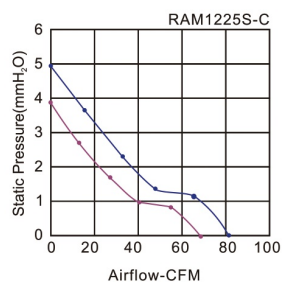
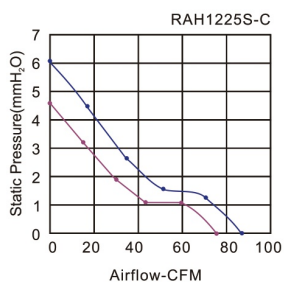
High Air Flow



Size: 120mmx120mmx25mm
Airflow: 119~175m³/hr
 70~103CFM
Weight: 370g
Noise: 36~46dBA
Impeller: PA6 UL94V-0 Reinforced Plastic
Frame: Aluminum Alloy
Terminals: 0.5mm
Lead Wire: AWG#24 UL 1430
 (Optional)
Motor: Capacitor-Run Induction Motor
Safety: UL.CUL.TUV.CE
Operation Temperature: -10°C~+65°C

Unit:mm

Model	Bearing System	Voltage VAC	Freq. Hz	Current A	Power W	Speed RPM	Noise dBA	Air Flow		Static Pressure (mmH ₂ O)	Weight Gram
								M ³ /hr	CFM		
RAH1225S1-C	Sleeve	220~240	50/60	0.09/0.09	19/20	2450/2900	38/42	129/150	76/90	4.6/6.2	370
RAM1225S1-C		220~240	50/60	0.08/0.08	18/19	2300/2750	36/40	119/143	70/84	4.0/5.0	
RAH1225S2-C		100~125	50/60	0.15/0.16	18/19	2450/2900	38/42	129/150	76/90	4.6/6.2	
RAM1225S2-C		100~125	50/60	0.14/0.14	17/17	2300/2750	36/40	119/143	70/84	4.0/5.0	
RAH1225B1-C	Ball	220~240	50/60	0.09/0.09	19/20	2800/3350	42/46	146/175	86/103	7.3/9.0	
RAM1225B1-C		220~240	50/60	0.08/0.08	18/19	2450/2900	38/43	129/150	76/90	4.6/5.3	
RAH1225B2-C		100~125	50/60	0.15/0.16	18/19	2800/3350	42/46	146/175	86/103	7.3/9.0	
RAM1225B2-C		100~125	50/60	0.14/0.14	18/19	2450/2900	38/43	129/150	76/90	4.6/5.3	



Key
 — 60Hz
 — 50Hz