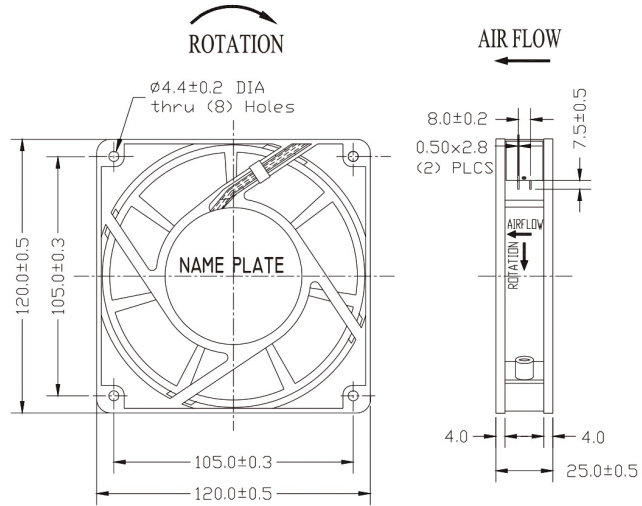
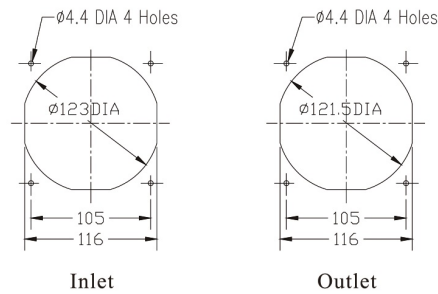


# Axial Fan 120 x 120 x 25 mm

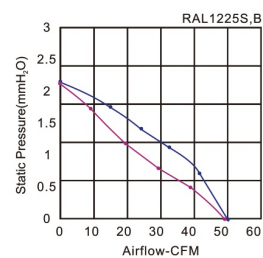
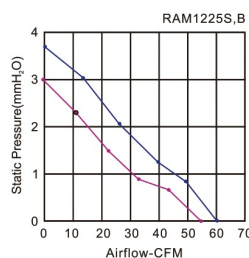
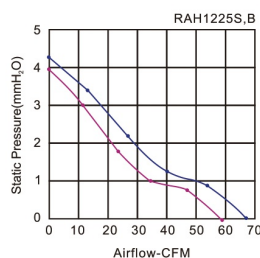
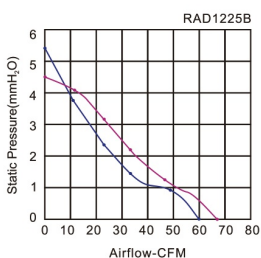


**Size:** 120mmx120mmx25mm  
**Airflow:** 85~129m<sup>3</sup>/hr  
 50~76CFM  
**Weight:** 370g  
**Noise:** 31~39dBA  
**Impeller:** PA6 UL94V-0 Reinforced Plastic  
**Frame:** Aluminum Alloy  
**Terminals:** 0.5mm  
**Lead Wire:** AWG#22 UL 1430  
 (Optional)  
**Motor:** Shaded Pole Induction Motor  
**Safety:** UL.CUL.TUV.CE  
**Operation Temperature:** -10°C~+70°C



Unit:mm

Model	Bearing System	Voltage VAC	Freq. Hz	Current A	Power W	Speed RPM	Noise dBA	Air Flow		Static Pressure (mmH <sub>2</sub> O)	Weight Gram
								M <sup>3</sup> /hr	CFM		
RAH1225S1	Sleeve	220~240	50/60	0.07	14/13	2150/2450	34/39	100/115	59/68	4.0/4.3	370
RAM1225S1		220~240	50/60	0.06	11/10	2000/2200	33/34	94/102	55/60	3.0/3.7	
RAL1225S1		220~240	50/60	0.05	9/8	1800/1800	31/31	85/85	50/50	2.2/2.2	
RAH1225S2		100~125	50/60	0.17	14/13	2150/2450	34/39	100/115	59/68	4.0/4.3	
RAM1225S2		100~125	50/60	0.13	11/10	2000/2200	33/34	94/102	55/60	3.0/3.7	
RAL1225S2		100~125	50/60	0.09	9/8	1800/1800	31/31	85/85	50/50	2.2/2.2	
RAD1225B1	Ball	220~240	50/60	0.07	16/14	2450/2700	39/41	115/129	68/76	5.4/5.1	
RAH1225B1		220~240	50/60	0.07	14/13	2150/2450	34/39	100/115	59/68	4.0/4.3	
RAM1225B1		220~240	50/60	0.06	11/10	2000/2200	33/34	94/102	55/60	3.0/3.7	
RAL1225B1		220~240	50/60	0.05	9/8	1800/1800	31/31	85/85	50/50	2.2/2.2	
RAD1225B2		100~125	50/60	0.17	16/14	2450/2700	39/41	115/129	68/76	5.4/5.1	
RAH1225B2		100~125	50/60	0.17	14/13	2150/2450	34/39	100/115	59/68	4.0/4.3	
RAM1225B2		100~125	50/60	0.13	11/10	2000/2200	33/34	94/102	55/60	3.0/3.7	
RAL1225B2		100~125	50/60	0.09	9/8	1800/1800	31/31	85/85	50/50	2.2/2.2	



Key  
 — 60Hz  
 — 50Hz