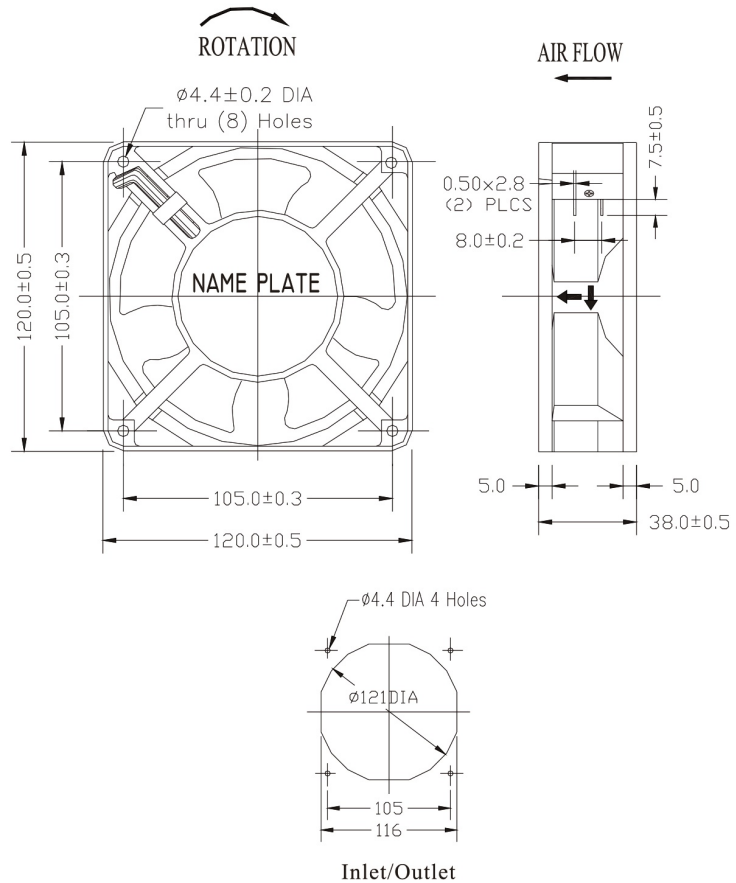


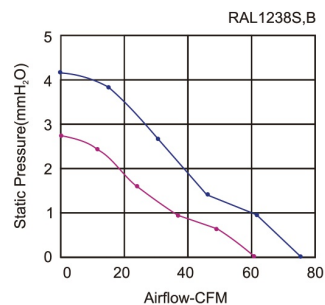
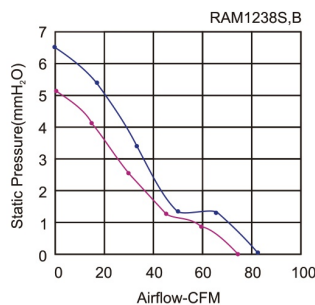
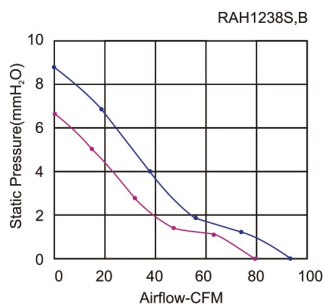
Axial Fan 120 x 120 x 38 mm



Size: 120mmx120mmx38mm
Airflow: 104~160m³/hr
 61~94CFM
Weight: 450g
Noise: 36~44dBA
Impeller: PBT UL94V-0 Reinforced Plastic
Frame: PBT UL94V-0 Reinforced Plastic
Terminals: 0.5mm
Lead Wire: AWG#22 UL 1430
 (Optional)
Motor: Shaded Pole Induction Motor
Safety: UL.CUL.TUV.CE
Operation Temperature: -10°C~+65°C

Unit:mm

Model	Bearing System	Voltage VAC	Freq. Hz	Current A	Power W	Speed RPM	Noise dBA	Air Flow		Static Pressure (mmH ₂ O)	Weight Gram
								M ³ /hr	CFM		
RAH1238S1(P5B)	Sleeve	220~240	50/60	0.20	23/20	2600/3000	42/44	134/160	79/94	6.8/8.8	450
RAM1238S1(P5B)		220~240	50/60	0.16	15/14	2400/2700	40/43	127/141	75/83	5.2/6.5	
RAL1238S1(P5B)		220~240	50/60	0.10	10/9	2000/2400	36/40	104/127	61/75	2.8/4.2	
RAH1238S2(P5B)		100~125	50/60	0.30	23/20	2600/3000	42/44	134/160	79/94	6.8/8.8	
RAM1238S2(P5B)		100~125	50/60	0.25	15/14	2400/2700	40/43	127/141	75/83	5.2/6.5	
RAL1238S2(P5B)		100~125	50/60	0.24	10/9	2000/2400	36/40	104/127	61/75	2.8/4.2	
RAH1238B1(P5B)	Ball	220~240	50/60	0.20	23/20	2600/3000	42/44	134/160	79/94	6.8/8.8	
RAM1238B1(P5B)		220~240	50/60	0.16	15/14	2400/2700	40/43	127/141	75/83	5.2/6.5	
RAL1238B1(P5B)		220~240	50/60	0.10	10/9	2000/2400	36/40	104/127	61/75	2.8/4.2	
RAH1238B2(P5B)		100~125	50/60	0.30	23/20	2600/3000	42/44	134/160	79/94	6.8/8.8	
RAM1238B2(P5B)		100~125	50/60	0.25	15/14	2400/2700	40/43	127/141	75/83	5.2/6.5	
RAL1238B2(P5B)		100~125	50/60	0.24	10/9	2000/2400	36/40	104/127	61/75	2.8/4.2	



Key
 — 60Hz
 — 50Hz