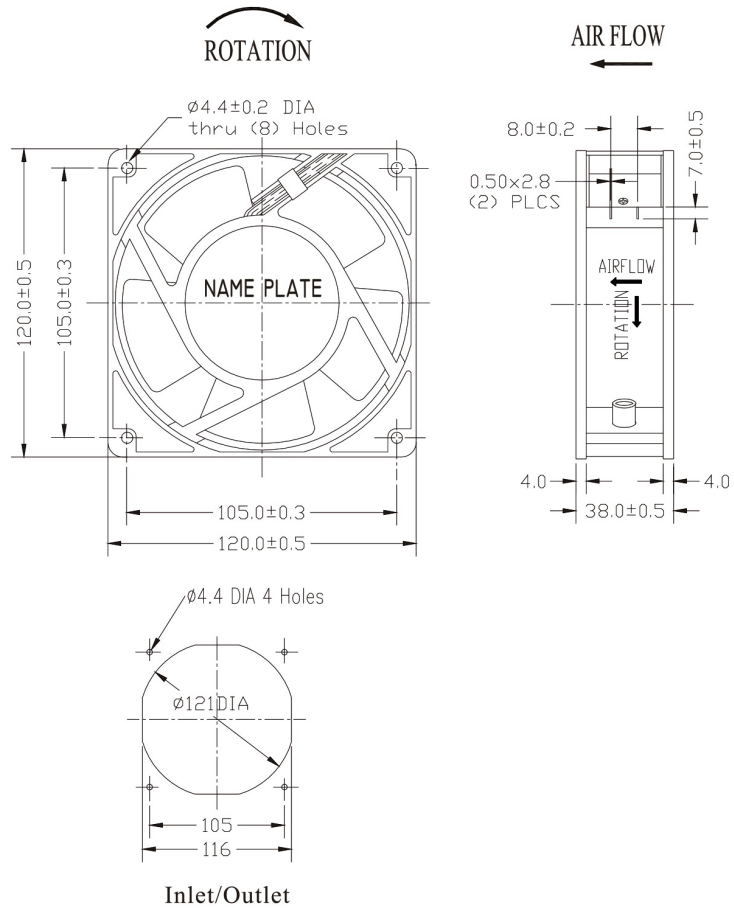


# Axial Fan 120 x 120 x 38 mm

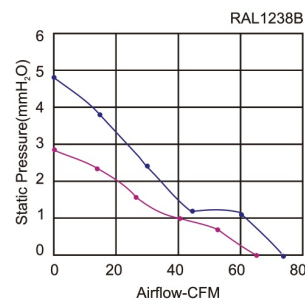
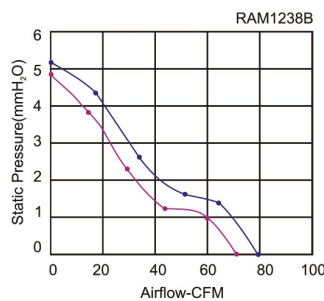
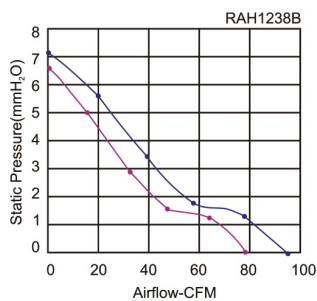


**Size:** 120mmx120mmx38mm  
**Airflow:** 110~163m<sup>3</sup>/hr  
 65~96CFM  
**Weight:** 620g  
**Noise:** 37~45dBA  
**Impeller:** Metallic  
**Frame:** Aluminium Alloy  
**Terminals:** 0.5mm  
**Lead Wire:** AWG#22 UL 1430  
 (Optional)  
**Motor:** Shaded Pole Induction Motor  
**Safety:** UL.CUL.TUV.CE  
**Operation Temperature:** -10°C~+70°C



Unit:mm

Model	Bearing System	Voltage VAC	Freq. Hz	Current A	Power W	Speed RPM	Noise dBA	Air Flow		Static Pressure (mmH <sub>2</sub> O)	Weight Gram
								M <sup>3</sup> /hr	CFM		
RAH1238B1(5BM)	Ball	220~240	50/60	0.20	23/20	2600/3000	41/45	134/163	79/96	6.6/7.0	620
RAM1238B1(5BM)		220~240	50/60	0.16	15/14	2400/2700	39/43	126/139	74/82	4.9/5.1	
RAL1238B1(5BM)		220~240	50/60	0.10	10/9	2100/2400	37/39	110/126	65/74	2.8/4.9	
RAH1238B2(5BM)		100~125	50/60	0.30	23/20	2600/3000	41/45	134/163	79/96	6.6/7.0	
RAM1238B2(5BM)		100~125	50/60	0.25	15/14	2400/2700	39/43	126/139	74/82	4.9/5.1	
RAL1238B2(5BM)		100~125	50/60	0.24	10/9	2100/2400	37/39	110/126	65/74	2.8/4.9	



Key  
 — 60Hz  
 — 50Hz