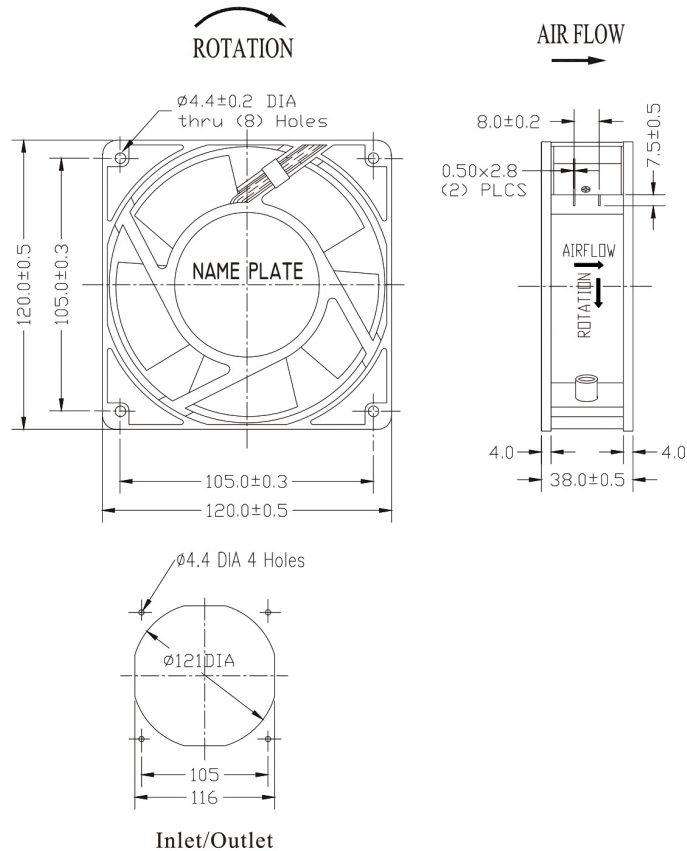


Axial Fan 120 x 120 x 38 mm

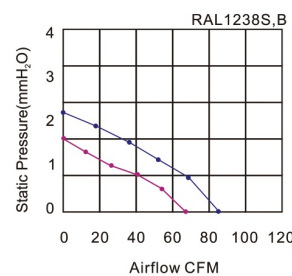
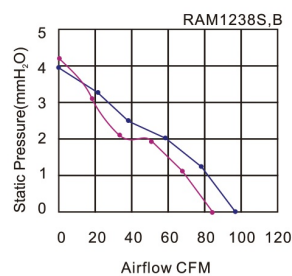
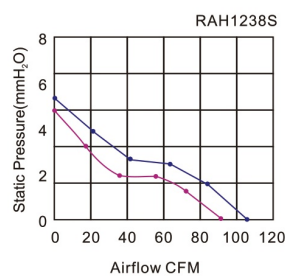
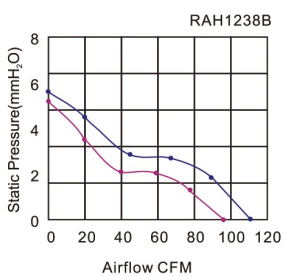


Size: 120mmx120mmx38mm
Airflow: 119~192m³/hr
 70~113CFM
Weight: 540g
Noise: 35~50dBA
Impeller: PBT UL94V-0 Reinforced Plastic
Frame: Aluminum Alloy
Lead Wire: AWG#22 UL 1430
 (Optional)
Motor: Shaded Pole Induction Motor
Safety: UL.CUL.TUV.CE
Operation Temperature: -10°C~+70°C



Unit:mm

| Model | Bearing System | Voltage VAC | Freq. Hz | Current A | Power W | Speed RPM | Noise dBA | Air Flow | | Static Pressure (mmH ₂ O) | Weight Gram |
|---------------|----------------|-------------|----------|-----------|---------|-----------|-----------|--------------------|----------|--------------------------------------|-------------|
| | | | | | | | | M ³ /hr | CFM | | |
| RAH1238S1(5R) | Sleeve | 220~240 | 50/60 | 0.20 | 22/19 | 2600/2900 | 43/46 | 153/170 | 90/100 | 5.9/6.3 | 540 |
| RAM1238S1(5R) | | 220~240 | 50/60 | 0.16 | 15/17 | 2450/2700 | 41/44 | 143/161 | 84/95 | 4.1/4.0 | |
| RAL1238S1(5R) | | 220~240 | 50/60 | 0.10 | 10/12 | 2100/2400 | 35/40 | 119/143 | 70/84 | 2.1/2.7 | |
| RAH1238S2(5R) | | 100~125 | 50/60 | 0.30 | 22/19 | 2600/2900 | 43/46 | 153/170 | 90/100 | 5.8/5.4 | |
| RAM1238S2(5R) | | 100~125 | 50/60 | 0.25 | 15/17 | 2450/2700 | 41/44 | 143/161 | 84/95 | 4.1/4.0 | |
| RAL1238S2(5R) | | 100~125 | 50/60 | 0.20 | 10/12 | 2100/2400 | 35/40 | 119/143 | 70/84 | 2.1/2.7 | |
| RAH1238B1(5R) | Ball | 220~240 | 50/60 | 0.20 | 22/19 | 2750/3150 | 46/50 | 164/192 | 96.5/113 | 6.7/7.0 | |
| RAM1238B1(5R) | | 220~240 | 50/60 | 0.16 | 15/17 | 2450/2700 | 41/44 | 143/161 | 84/95 | 4.1/4.0 | |
| RAL1238B1(5R) | | 220~240 | 50/60 | 0.10 | 10/12 | 2100/2400 | 35/40 | 119/143 | 70/84 | 2.1/2.7 | |
| RAH1238B2(5R) | | 100~125 | 50/60 | 0.30 | 22/19 | 2750/3150 | 46/50 | 164/192 | 96.5/113 | 5.1/5.0 | |
| RAM1238B2(5R) | | 100~125 | 50/60 | 0.25 | 15/17 | 2450/2700 | 41/44 | 143/161 | 84/95 | 4.1/4.0 | |
| RAL1238B2(5R) | | 100~125 | 50/60 | 0.20 | 10/12 | 2100/2400 | 35/40 | 119/143 | 70/84 | 2.1/2.7 | |



Key
 — 60Hz
 — 50Hz