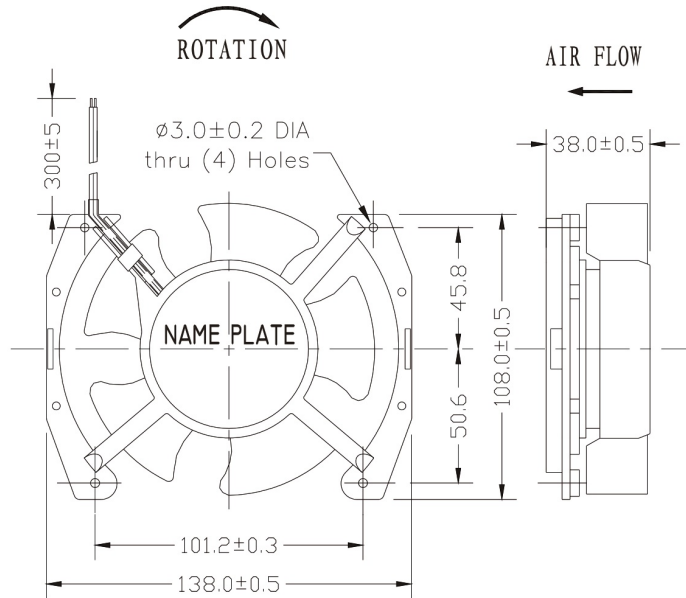


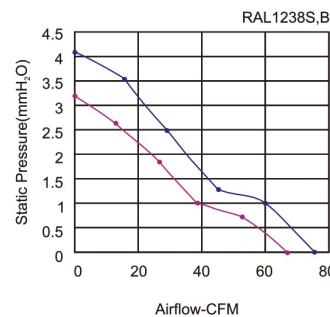
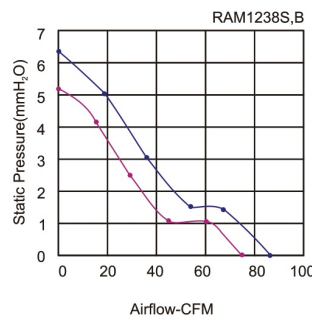
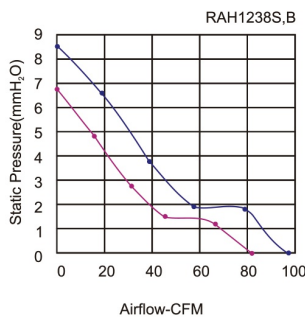
Axial Fan 130 x 138 x 38 mm



Size: 130mmx108mmx38mm
Airflow: 114~163m³/hr
 67~96CFM
Weight: 420g
Noise: 35~45dBA
Impeller: PBT UL94V-0 Reinforced Plastic
Frame: Aluminum Alloy
Terminals: 0.5mm
Lead Wire: AWG#22 UL 1430
 (Optional)
Motor: Shaded Pole Induction Motor
Safety: UL.CUL.TUV.CE
Operation Temperature: -10°C~+70°C

Unit:mm

Model	Bearing System	Voltage VAC	Freq. Hz	Current A	Power W	Speed RPM	Noise dBA	Air Flow		Static Pressure (mmH ₂ O)	Weight Gram
								M ³ /hr	CFM		
RAH1238S1(5C)	Sleeve	220~240	50/60	0.20	23/20	2600/3000	40/43	139/163	82/96	6.8/8.5	420
RAM1238S1(5C)		220~240	50/60	0.16	15/14	2400/2700	39/42	127/144	75/85	5.3/6.3	
RAL1238S1(5C)		220~240	50/60	0.10	10/9	2100/2400	35/39	114/127	67/75	3.1/4.1	
RAH1238S2(5C)		100~125	50/60	0.30	23/20	2600/3000	40/43	139/163	82/96	6.8/8.5	
RAM1238S2(5C)		100~125	50/60	0.25	15/14	2400/2700	39/42	127/144	75/85	5.3/6.3	
RAL1238S2(5C)		100~125	50/60	0.20	10/9	2100/2400	35/39	114/127	67/75	3.1/4.1	
RAH1238B1(5C)	Ball	220~240	50/60	0.20	23/20	2600/3000	41/44	139/163	82/96	6.8/8.5	
RAM1238B1(5C)		220~240	50/60	0.16	15/14	2400/2700	39/42	127/144	75/85	5.3/6.3	
RAL1238B1(5C)		220~240	50/60	0.10	10/9	2100/2400	35/39	114/127	67/75	3.1/4.1	
RAH1238B2(5C)		100~125	50/60	0.30	23/20	2600/3000	41/44	139/163	82/96	6.8/8.5	
RAM1238B2(5C)		100~125	50/60	0.25	15/14	2400/2700	39/42	127/144	75/85	5.3/6.3	
RAL1238B2(5C)		100~125	50/60	0.20	10/9	2100/2400	35/39	114/127	67/75	3.1/4.1	



Key
 — 60Hz
 — 50Hz