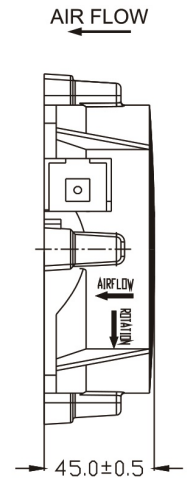
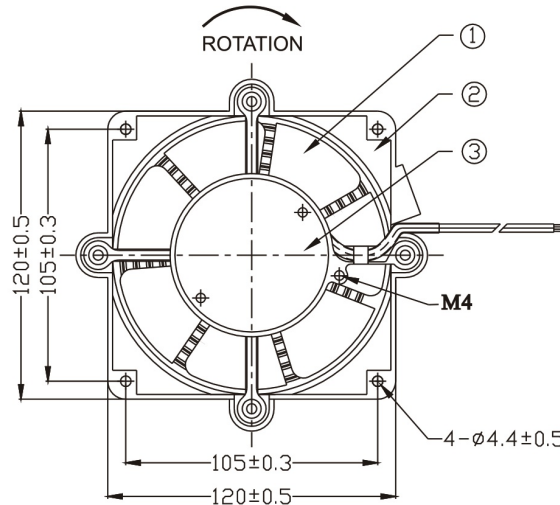


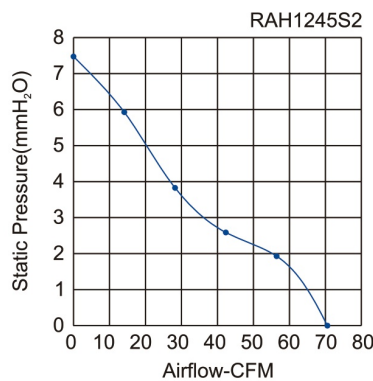
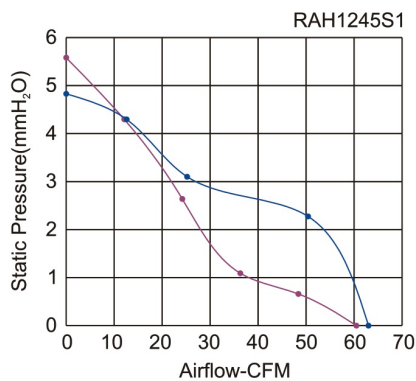
Axial Fan 120 x 120 x 45 mm



Unit:mm

Size: 120mmx120mmx45mm
 Airflow: 102~107m³/hr
 60~70CFM
 Weight: 530g
 Noise: 46~48dBA
 Impeller: ①PBT UL94V-0 Reinforced Plastic
 Frame: ②PBT UL94V-0 Reinforced Plastic
 Frame: ③Aluminium Alloy
 Lead Wire: AWG#22 UL1430
 (Optional)
 Motor: Shaded Pole Induction Motor
 Safety: UL.CUL.TUV.CE
 Operation Temperature: -10°C~+70°C

Model	Bearing System	Voltage VAC	Freq. Hz	Current A	Power W	Speed RPM	Noise dBA	Air Flow		Static Pressure (mmH ₂ O)	Weight Gram
								M ³ /hr	CFM		
RAH1245S1	Sleeve	230	50/60	0.13/0.12	20/18	2400/2500	46/46.5	102/107	60/63	5.5/4.8	530
RAH1245S2		115	60	0.33	25	2900	48	119	70	7.4	



Key
 — 60Hz
 — 50Hz