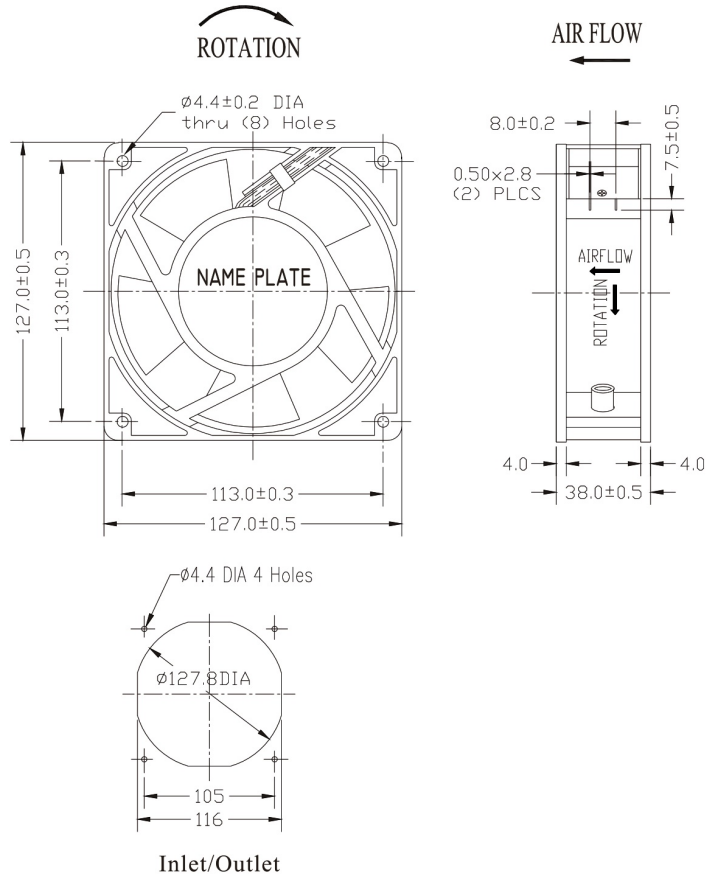


Axial Fan 127 x 127 x 38 mm



Size: 127mmx127mmx38mm
Airflow: 110~220m³/hr
 65~130CFM
Weight: 540g
Noise: 30~46dBA
Impeller: PBT UL94V-0 Reinforced Plastic
Frame: Aluminum Alloy
Terminals: 0.5mm
Lead Wire: AWG#22 UL 1430
 (Optional)
Motor: Shaded Pole Induction Motor
Safety: UL.CUL.TUV.CE
Operaton Temperature: -10°C~+70°C

Unit:mm

Model	Bearing System	Voltage VAC	Freq. Hz	Current A	Power W	Speed RPM	Noise dBA	Air Flow		Static Pressure (mmH ₂ O)	Weight Gram
								M ³ /hr	CFM		
RAH1278S1	Sleeve	220~240	50/60	0.17/0.14	24/21	2500/2800	43/45	183/205	108/121	6.8/6.5	540
RAM1278S1		220~240	50/60	0.12/0.10	20/19	2350/2550	41/43	176/187	104/110	5.6/4.6	
RAL1278S1		220~240	50/60	0.08/0.07	12/11	2050/1450	39/30	153/110	90/65	3.4/1.7	
RAH1278S2		100~125	50/60	0.34/0.30	23/20	2500/2800	43/45	183/205	108/121	6.8/6.5	
RAM1278S2		100~125	50/60	0.29/0.26	20/19	2350/2550	41/43	176/187	104/110	5.6/4.6	
RAL1278S2		100~125	50/60	0.28/0.25	19/17	2400/2350	41/41	182/178	107/105	6.0/4.2	
RAD1278B1	Ball	220~240	50/60	0.17/0.17	24/21	2700/3000	44/46	198/220	117/130	6.8/6.5	
RAH1278B1		220~240	50/60	0.17/0.14	24/21	2500/2800	44/46	183/205	108/121	6.8/6.5	
RAM1278B1		220~240	50/60	0.12/0.10	20/19	2350/2550	41/43	176/187	104/110	5.6/4.6	
RAL1278B1		220~240	50/60	0.08/0.07	12/11	2050/1450	39/30	153/110	90/65	3.4/1.7	
RAD1278B2		100~125	50/60	0.34/0.30	23/20	2700/3000	44/46	198/220	117/130	6.8/6.5	
RAH1278B2		100~125	50/60	0.34/0.30	23/20	2500/2800	44/46	183/205	108/121	6.8/6.5	
RAM1278B2		100~125	50/60	0.29/0.26	20/19	2350/2550	41/43	176/187	104/110	5.6/4.6	
RAL1278B2		100~125	50/60	0.28/0.25	19/17	2400/2350	41/41	182/178	107/105	6.0/4.2	

