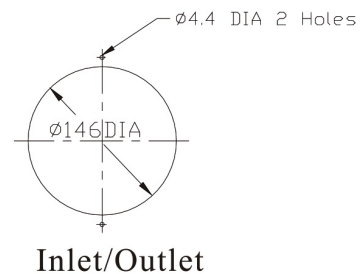
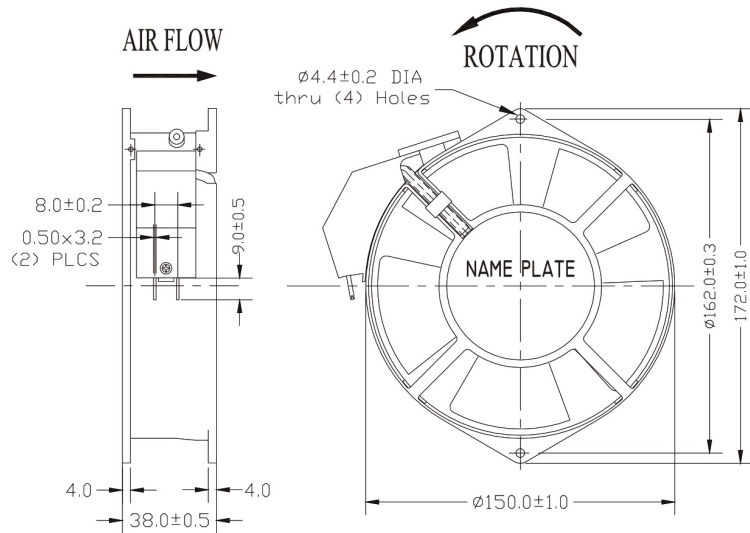


# Axial Fan 162 x 150 x 38 mm

High Air Flow



- Size: 162mmx150mmx38mm
- Airflow: 282~336m<sup>3</sup>/hr  
166~198CFM
- Weight: 710g
- Noise: 57~61dBA
- Impeller: PA6 UL94V-0 Reinforced Plastic
- Frame: Aluminum Alloy
- Terminals: 0.5mm
- Lead Wire: AWG#22 UL 1015  
(Optional)
- Motor: Capacitor-Run Induction Motor
- Safety: UL.CUL.TUV.CE
- Operation Temperature: -10°C~+70°C

Unit:mm

Model	Bearing System	Voltage VAC	Freq. Hz	Current A	Power W	Speed RPM	Noise dBA	Air Flow		Static Pressure (mmH <sub>2</sub> O)	Weight Gram
								M <sup>3</sup> /hr	CFM		
RAH1538B1-C	Ball	220~240	50/60	0.16/0.17	36/35	2850/3400	57/61	282/336	166/198	16.7/19.5	710
RAH1538B2-C		100~125	50/60	0.25/0.26	30/31	2850/3400	57/61	282/336	166/198	16.7/19.5	

