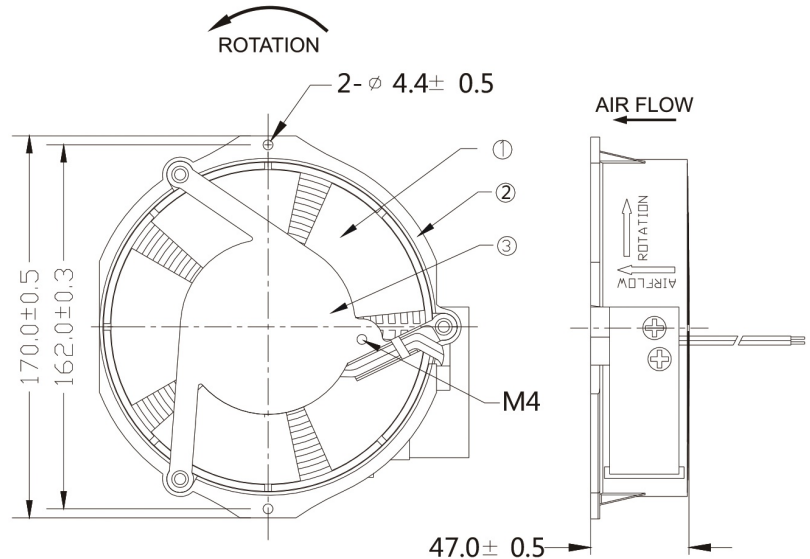


Axial Fan 170 x 47 mm

High Air Flow



Unit:mm

- Size: ϕ 170mmx47mm
- Airflow: 255~266m³/hr
127~150CFM
- Weight: 800g
- Noise: 58~64dBA
- Impeller: ①PBT UL94V-0 Reinforced Plastic
- Frame: ②PBT UL94V-0 Reinforced Plastic
- Frame: ③Aluminium Alloy
- Lead Wire: AWG#22 UL1015
- (Optional)
- Motor: Capacitor-Run Induction Motor
- Safety: UL.CUL.TUV.CE
- Operation Temperature: -10°C~+65°C

Model	Bearing System	Voltage VAC	Freq. Hz	Current A	Power W	Speed RPM	Noise dBA	Air Flow		Static Pressure (mmH ₂ O)	Weight Gram
								M ³ /hr	CFM		
RAH1747B1-C	Ball	230	50/60	0.15/0.15	33/34	2850/3400	58/64	266/255	127/150	14.9/16	800
RAH1747B2-C		115	60	0.32	36	3400	64	255	150	16.5	

