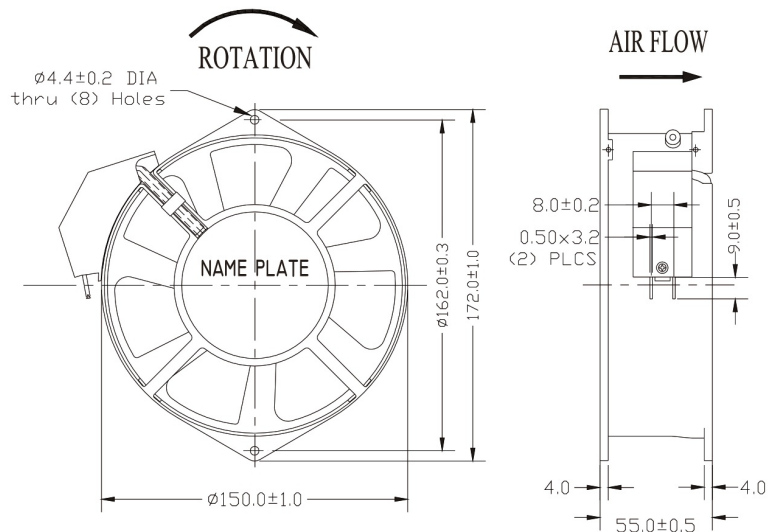
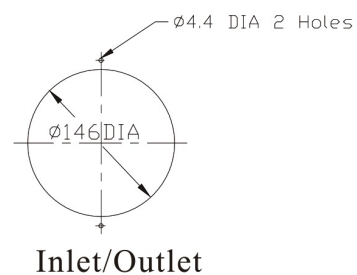


Axial Fan 162 x 150 x 55 mm

High Air Flow



- Size: 162mmx150mmx55mm
- Airflow: 425~498m³/hr
250~293CFM
- Weight: 870g
- Noise: 57~61dBA
- Impeller: PA6 UL94V-0 Reinforced Plastic
- Frame: Aluminum Alloy
- Terminals: 0.5mm
- Lead Wire: AWG#22 UL 1015
(Optional)
- Motor: Capacitor-Run Induction Motor
- Safety: UL.CUL.TUV.CE
- Operation Temperature: -10°C~+65°C



Unit:mm

Model	Bearing System	Voltage VAC	Freq. Hz	Current A	Power W	Speed RPM	Noise dBA	Air Flow		Static Pressure (mmH ₂ O)	Weight Gram
								M ³ /hr	CFM		
RAH1555B1-C	Ball	220~240	50/60	0.20/0.22	46/50	2850/3300	56/61	425/498	250/293	16.0/20.0	870
RAH1555B2-C		100~125	50/60	0.35/0.40	46/50	2850/3300	56/61	425/498	250/293	16.0/20.0	

