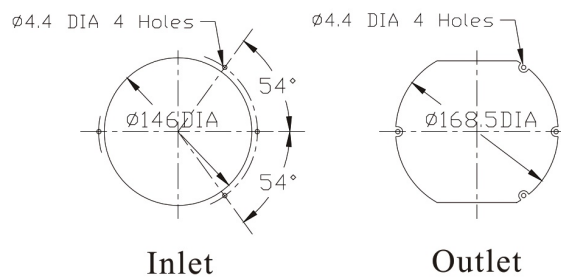
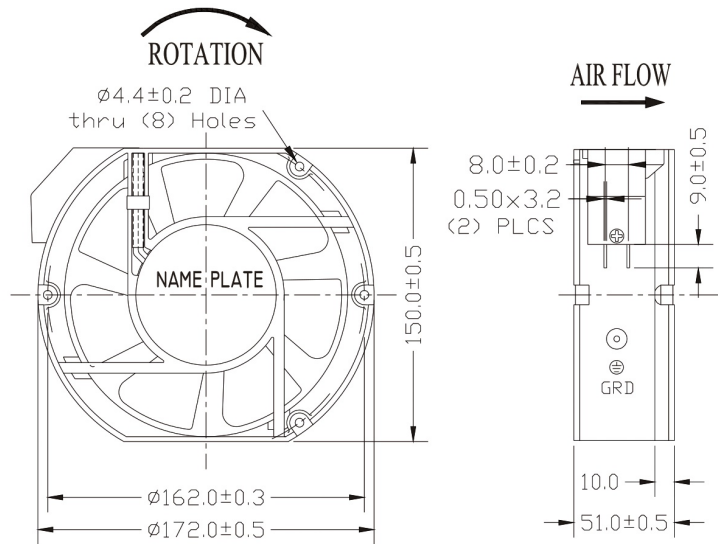


Axial Fan 172 x 150 x 51 mm

High Air Flow



Size: 172mmx150mmx51mm
Airflow: 357~498m³/hr
 210~293CFM
Weight: 970g
Noise: 53~61dBA
Impeller: PA6 UL94V-0 Reinforced Plastic
Frame: Aluminum Alloy
Terminals: 0.5mm
Lead Wire: AWG#22 UL 1015
 (Optional)
Motor: Capacitor-Run Induction Motor
Safety: UL.CUL.TUV.CE
Operation Temperature: -10°C~+65°C



Unit:mm

Model	Bearing System	Voltage VAC	Freq. Hz	Current A	Power W	Speed RPM	Noise dBA	Air Flow		Static Pressure (mmH ₂ O)	Weight Gram
								M ³ /hr	CFM		
RAH1751B1-C	Ball	220~240	50/60	0.20/0.22	46/50	2850/3300	56/61	425/498	250/293	16.0/20.0	970
RAM1751B1-C		220~240	50/60	0.14/0.15	42/43	2500/2800	53/55	357/417	210/245	12.0/12.0	
RAH1751B2-C		100~125	50/60	0.35/0.40	46/50	2850/3300	56/61	425/498	250/293	16.0/20.0	
RAM1751B2-C		100~125	50/60	0.26/0.29	39/40	2500/2800	53/55	357/417	210/245	12.0/13.0	
RAH1751B1-C1	Ball	220~240	50/60	0.20/0.22	46/50	2850/3300	56/61	425/498	250/293	16.0/20.0	
RAM1751B1-C1		220~240	50/60	0.14/0.15	42/43	2500/2800	53/55	357/417	210/245	12.0/12.0	
RAH1751B2-C1		100~125	50/60	0.35/0.40	46/50	2850/3300	56/61	425/498	250/293	16.0/20.0	
RAM1751B2-C1		100~125	50/60	0.26/0.29	39/40	2500/2800	53/55	357/417	210/245	12.0/13.0	

