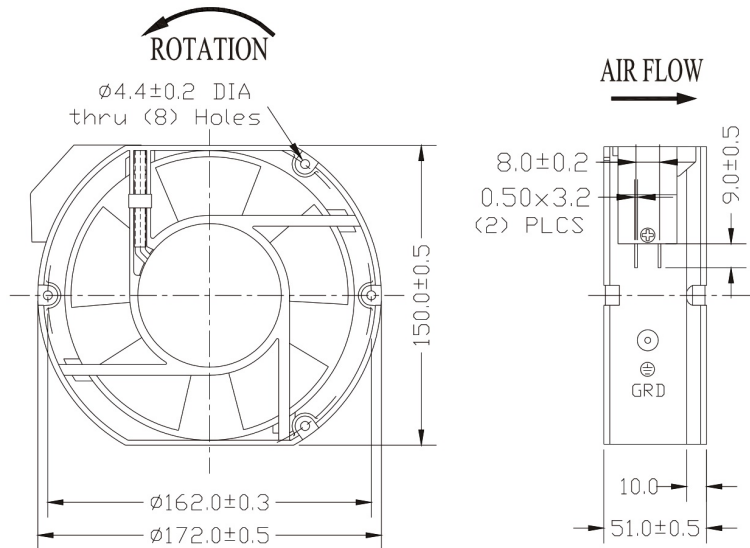
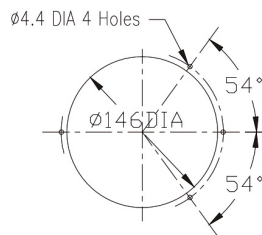


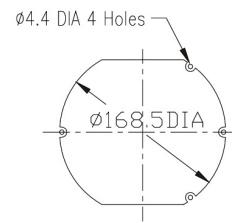
Axial Fan 172 x 150 x 51 mm



Size: 172mmx150mmx51mm
Airflow: 233~306m³/hr
 137~180CFM
Weight: 880g
Noise: 45~55dBA
Impeller: PA6 UL94V-0 Reinforced Plastic
Frame: Aluminium Alloy
Terminals: 0.5mm
Lead Wire: AWG#22 UL 1015
 (Optional)
Motor: Shaded Pole Induction Motor
Safety: UL.CUL.TUV.CE
Operation Temperature: -10°C~+70°C



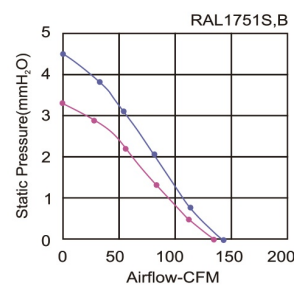
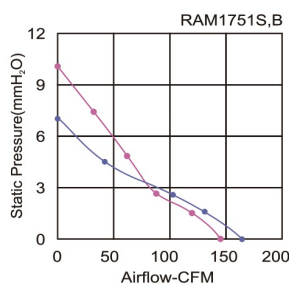
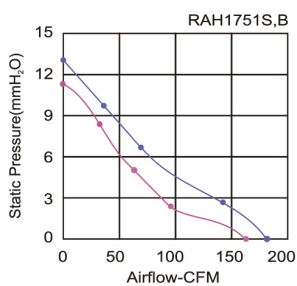
Inlet



Outlet

Unit:mm

Model	Bearing System	Voltage VAC	Freq. Hz	Current A	Power W	Speed RPM	Noise dBA	Air Flow		Static Pressure (mmH ₂ O)	Weight Gram
								M ³ /hr	CFM		
RAH1751S1	Sleeve	220~240	50/60	0.40	47/41	2700/3000	51/55	272/306	160/180	11.3/13	880
RAM1751S1		220~240	50/60	0.30	28/27	2500/2700	49/51	252/272	148/160	9.9/7.0	
RAL1751S1		220~240	50/60	0.20	20/20	2200/2400	45/47	233/240	137/141	3.4/4.6	
RAH1751S2		100~125	50/60	0.60	47/41	2700/3000	51/55	272/306	160/180	11.3/13	
RAM1751S2		100~125	50/60	0.50	28/27	2500/2700	49/51	252/272	148/160	9.9/7.0	
RAL1751S2		100~125	50/60	0.40	20/20	2000/2400	45/47	233/240	137/141	3.4/4.6	
RAH1751B1	Ball	220~240	50/60	0.40	47/41	2700/3000	51/55	272/306	160/180	11.3/13	
RAM1751B1		220~240	50/60	0.30	28/27	2500/2700	49/51	252/272	148/160	9.9/7.0	
RAL1751B1		220~240	50/60	0.20	20/20	2200/2400	45/47	233/240	137/141	3.4/4.6	
RAH1751B2		100~125	50/60	0.60	47/41	2700/3000	51/55	272/306	160/180	11.3/13	
RAM1751B2		100~125	50/60	0.50	28/27	2500/2700	49/51	252/272	148/160	9.9/7.0	
RAL1751B2		100~125	50/60	0.40	20/20	2200/2400	45/47	233/240	137/141	3.4/4.6	



Key
 60Hz
 50Hz