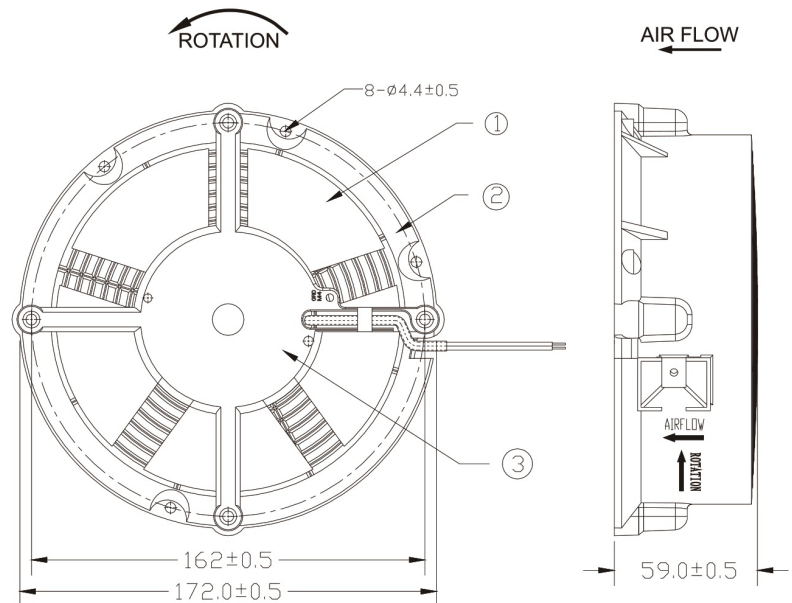


Axial Fan 172 x 59 mm



Size: ϕ 172mmx59mm
Airflow: 195~214m³/hr
 115~126CFM
Weight: 1160g
Noise: 54~57dBA
Impeller: ①PBT UL94V-0 Reinforced Plastic
Frame: ②PBT UL94V-0 Reinforced Plastic
Frame: ③Aluminium Alloy
Lead Wire: AWG#22 UL1015
 (Optional)
Motor: Shaded Pole Induction Motor
Safety: UL.CUL.TUV.CE
Operation Temperature: -10°C~+70°C



Unit:mm

Model	Bearing System	Voltage VAC	Freq. Hz	Current A	Power W	Speed RPM	Noise dBA	Air Flow		Static Pressure (mmH ₂ O)	Weight Gram
								M ³ /hr	CFM		
RAH1759S1	Sleeve	230	50/60	0.26/0.23	36/35	2600/3000	54/57	195/214	115/126	9.29/9.75	1160
RAH1759S2		115	60	0.6	39	3000	57	214.0	126	10.16	

Key
 — 60Hz
 — 50Hz

