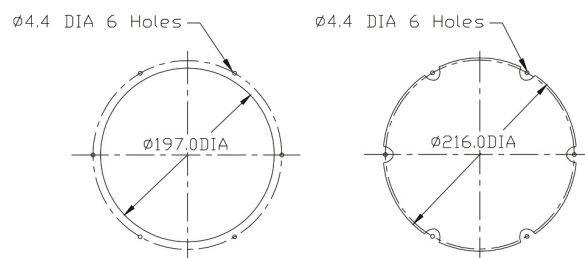
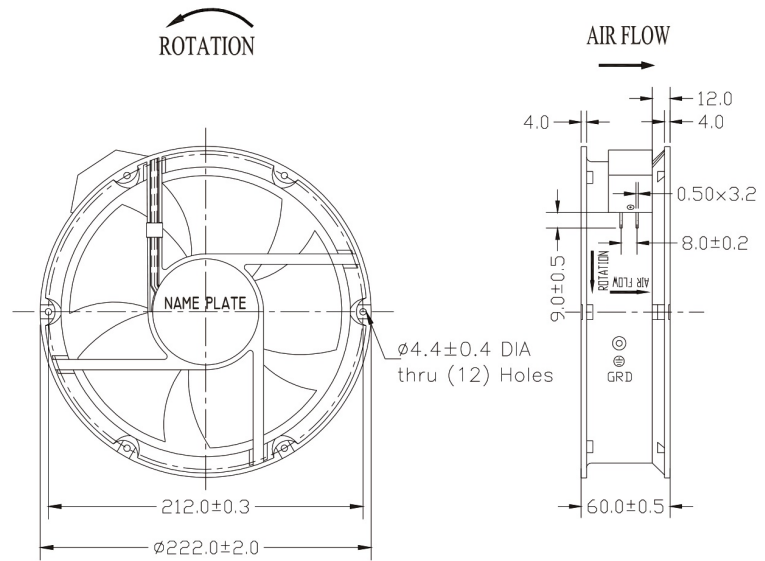


Axial Fan 222 x 60 mm

High Air Flow



Size: Ø222mmx60mm
Airflow: 730~824m³/hr
 430~485CFM
Weight: 1540g
Noise: 59~62dBA
Impeller: PA6 UL94V-0 Reinforced Plastic
Frame: Aluminum Alloy
Terminals: 0.5mm
Lead Wire: AWG#22 UL 1015
 (Optional)
Motor: Capacitor-Run Induction Motor
Safety: UL.CUL.TUV.CE
Operation Temperature: -10°C~+65 °C



Inlet

Outlet

Unit:mm

Model	Bearing System	Voltage VAC	Freq. Hz	Current A	Power W	Speed RPM	Noise dBA	Air Flow		Static Pressure (mmH ₂ O)	Weight Gram
								M ³ /hr	CFM		
RAH2260B1-C	Ball	220~240	50/60	0.25/0.26	50/60	2800/3200	59/62	730/824	430/485	24/18	1540
RAH2260B2-C		100~125	50/60	0.42/0.46	50/56	2800/3200	59/62	730/824	430/485	24/18	

