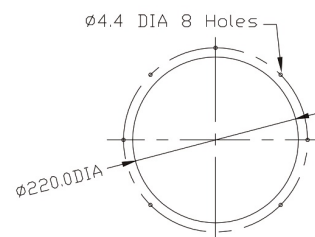
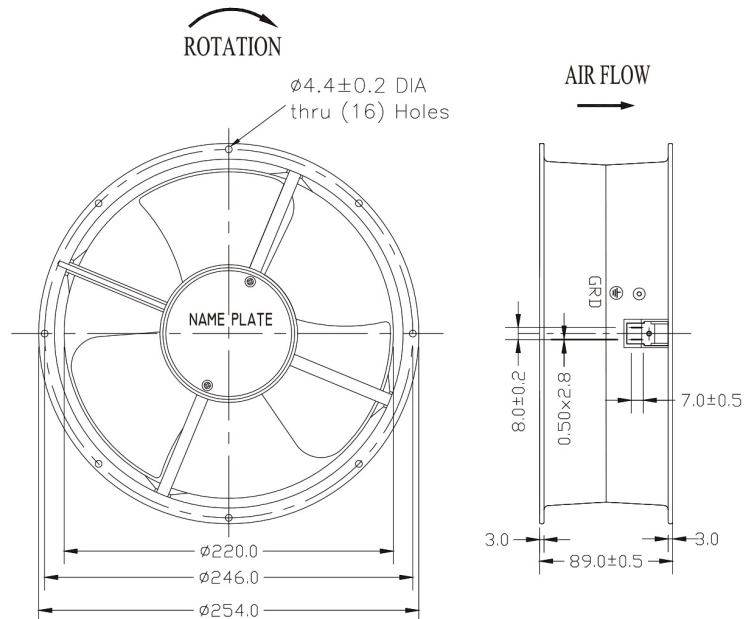


Axial Fan 254 x 89 mm



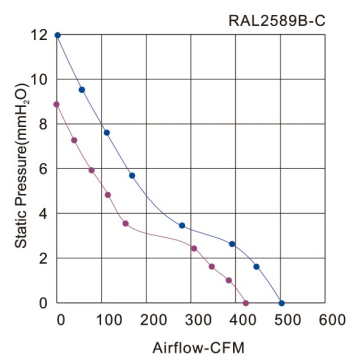
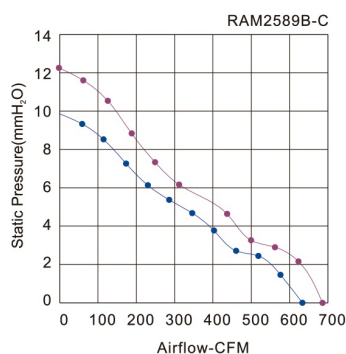
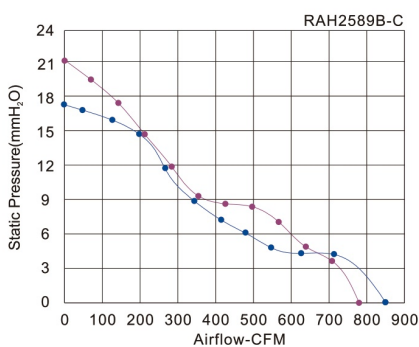
Size: Ø 254mmx89mm
Airflow: 718~1444m³/hr
 423~850CFM
Weight: 2330g
Noise: 52~60dBA
Impeller: Metallic
Frame: Aluminum Alloy
Terminals: 0.5mm
Lead Wire: AWG#22 UL 1015
 (Optional)
Motor: Capacitor-Run Induction Motor
Safety: UL.CUL.TUV.CE
Operation Temperature: -10°C~+70°C



Inlet/Outlet

Unit:mm

Model	Bearing System	Voltage VAC	Freq. Hz	Current A	Power W	Speed RPM	Noise dBA	Air Flow		Static Pressure (mmH ₂ O)	Weight Gram
								M ³ /hr	CFM		
RAH2589B1-C(3BM)	Ball	220~240	50/60	0.40/0.55	87/110	2600/2800	80/88	1458/1588	858/935	21/17	2330
RAM2589B1-C(3BM)		220~240	50/60	0.29/0.35	65/78	2200/2100	60/59	1276/1192	754/704	12.2/9.8	
RAL2589B1-C(3BM)		220~240	50/60	0.16/0.17	32/35	1400/1650	52/55	790/941	465/553	8.9/11.9	
RAH2589B2-C(3BM)		100~125	50/60	0.80/1.0	87/110	2600/2800	80/88	1458/1588	858/935	21/17	
RAM2589B2-C(3BM)		100~125	50/60	0.58/0.70	65/78	2200/2100	60/59	1276/1192	754/704	12.2/9.8	
RAL2589B2-C(3BM)		100~125	50/60	0.28/0.30	32/35	1400/1650	52/55	790/941	465/553	8.9/11.9	



Key
 — 60Hz
 — 50Hz