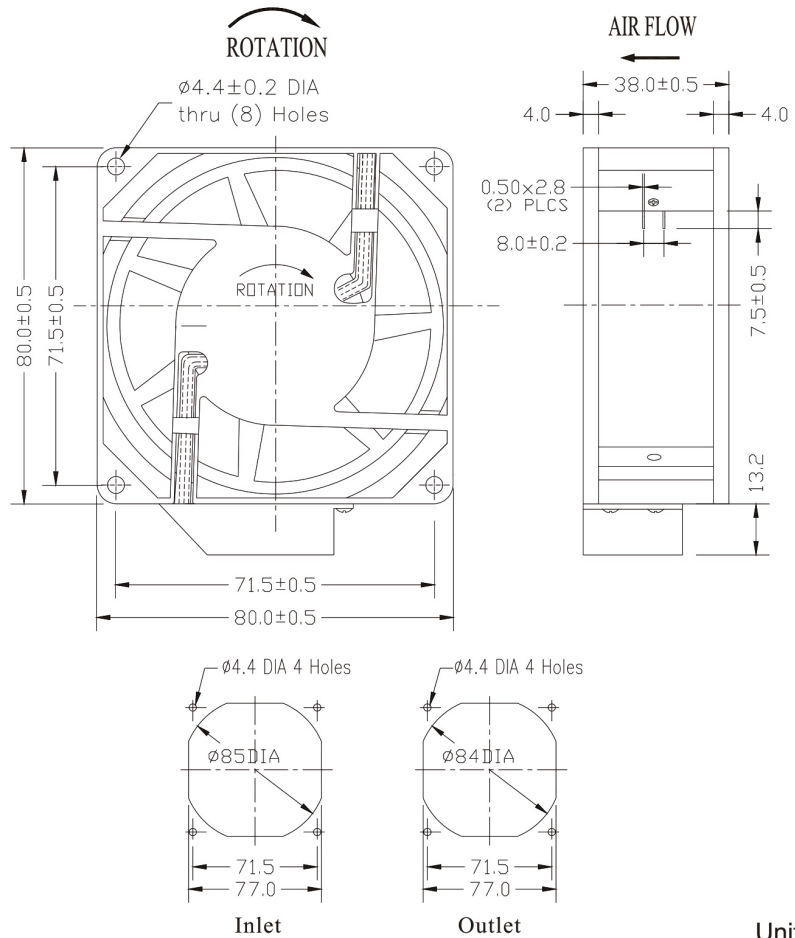


Axial Fan 80 x 80 x 35 mm

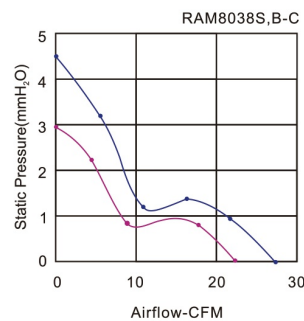
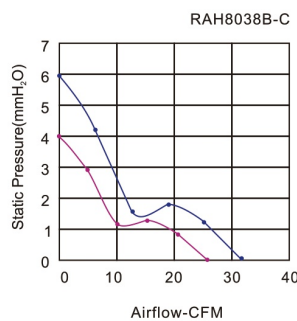
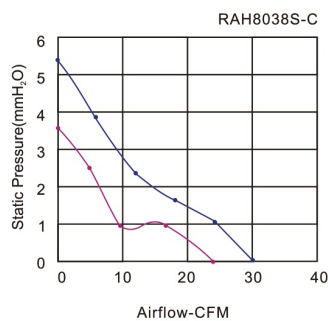
High Air Flow



Size: 80mmx80mmx38mm
Airflow: 37~54m³/hr
 22~32CFM
Weight: 350g
Noise: 24~31.5dBA
Impeller: PA6 UL94V-0 Reinforced Plastic
Frame: Aluminum Alloy
Terminals: 0.5mm
Lead Wire: AWG#24 UL 1430
 (Optional)
Motor: Capacitor-Run Induction Motor
Safety: UL.CUL.TUV.CE
Operation Temperature: -10°C~+65°C



Model	Bearing System	Voltage VAC	Freq. Hz	Current A	Power W	Speed RPM	Noise dBA	Air Flow		Static Pressure (mmH ₂ O)	Weight Gram
								M ³ /hr	CFM		
RAH8038S1-C	Sleeve	220~240	50/60	0.06/0.07	14/15	2650/3250	25/29	41/51	24/30	3.7/5.5	350
RAM8038S1-C		220~240	50/60	0.05/0.05	11/11	2400/2950	24/28	37/46	22/27	3.0/4.6	
RAH8038S2-C		100~125	50/60	0.11/0.12	13/14	2650/3250	25/29	41/51	24/30	3.7/5.5	
RAM8038S2-C		100~125	50/60	0.06/0.06	7/7	2400/2950	24/28	37/46	22/27	3.0/4.6	
RAH8038B1-C	Ball	220~240	50/60	0.06/0.07	14/15	2850/3450	26/31.5	44/54	26/32	4.1/6.0	
RAM8038B1-C		220~240	50/60	0.05/0.05	11/11	2400/2950	24/28	37/46	22/27	3.0/4.6	
RAH8038B2-C		100~125	50/60	0.11/0.12	13/14	2850/3450	26/31.5	44/54	26/32	4.1/6.0	
RAM8038B2-C		100~125	50/60	0.06/0.06	7/7	2400/2950	24/28	37/46	22/27	3.0/4.6	



Key
 — 60Hz
 — 50Hz