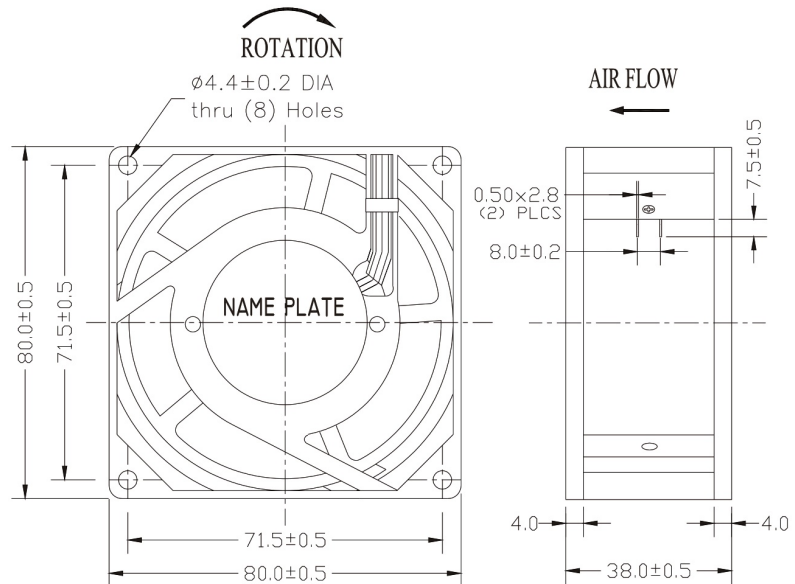
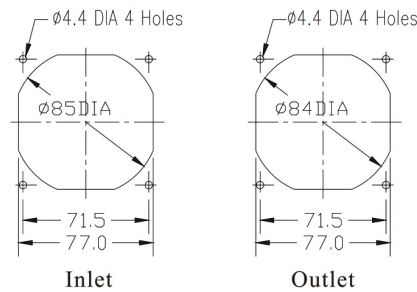


# Axial Fan 80 x 80 x 35 mm

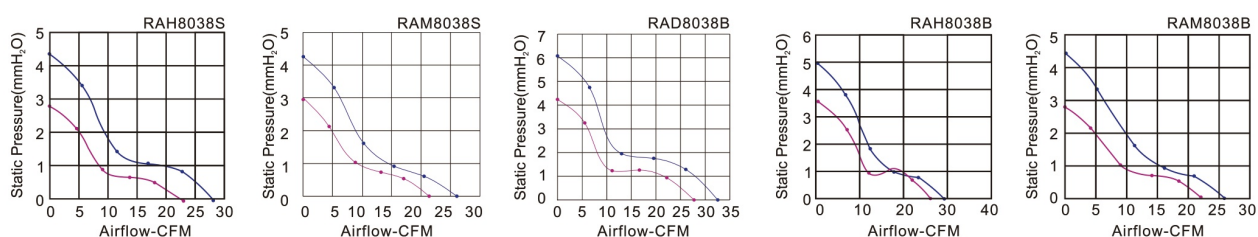


**Size:** 80mmx80mmx38mm  
**Airflow:** 36~56m<sup>3</sup>/hr  
 21~33CFM  
**Weight:** 340g  
**Noise:** 26~56dBA  
**Impeller:** PBT UL94V-0 Reinforced Plastic  
**Frame:** Aluminum Alloy  
**Terminals:** 0.5mm  
**Lead Wire:** AWG#22 UL 1430  
 (Optional)  
**Motor:** Shaded Pole Induction Motor  
**Safety:** UL.CUL.TUV.CE  
**Operation Temperature:** -10°C~+70°C



Unit:mm

Model	Bearing System	Voltage VAC	Freq. Hz	Current A	Power W	Speed RPM	Noise dBA	Air Flow		Static Pressure (mmH <sub>2</sub> O)	Weight Gram
								M <sup>3</sup> /hr	CFM		
RAH8038S1	Sleeve	220~240	50/60	0.08	14/10	2400/2900	27/32	39/48	23/28	2.9/4.5	340
RAM8038S1		220~240	50/60	0.06	7/6	2300/2700	26/30	36/44	21/26	2.7/4.2	
RAH8038S2		100~125	50/60	0.20	16/12	2400/2900	27/32	39/48	23/28	2.9/4.5	
RAM8038S2		100~125	50/60	0.10	9/7	2300/2700	26/30	36/44	21/26	2.7/4.2	
RAD8038B1	Ball	220~240	50/60	0.12	14/10	2700/3100	48/56	48/56	28/33	4.2/6.1	
RAH8038B1		220~240	50/60	0.08	14/10	2700/3000	28/34	44/49	26/29	3.7/5.0	
RAM8038B1		220~240	50/60	0.06	7/6	2300/2700	26/30	37/44	22/26	2.8/4.5	
RAD8038B2		100~125	50/60	0.20	16/12	2700/3100	48/56	48/56	28/33	4.2/6.1	
RAH8038B2		100~125	50/60	0.20	16/12	2700/3000	28/34	44/49	26/29	3.7/5.0	
RAM8038B2		100~125	50/60	0.10	9/7	2300/2700	26/30	37/44	22/26	2.8/4.5	



Key  
 — 60Hz  
 — 50Hz