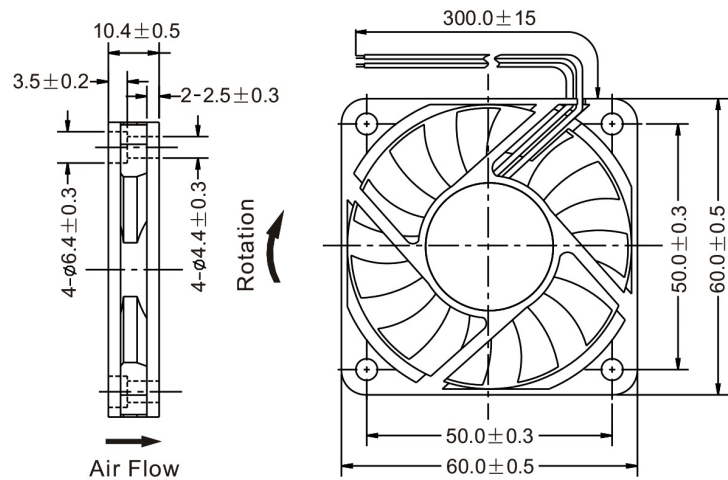
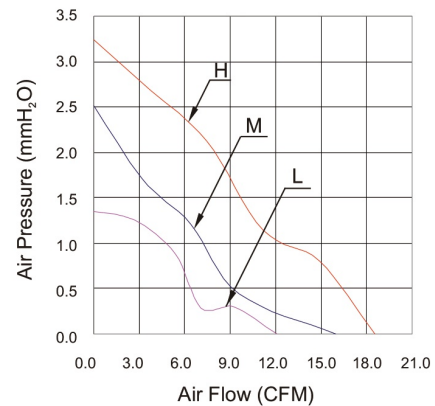


■ Dimensions Drawing



Unit: mm

■ Performance Curves



General Specification:

- Frame and Impeller : Thermal Plastic , UL 94V-0
- Lead Wires : UL Type
(+) : Red (-) : Black
- Operation Temperature : -10°C~70°C、
35%~85%RH
- Storage Temperature : -40°C~80°C、
35%~85%RH



Listed Model	Bearing System	Rated Voltage	Operation Voltage	Rated Current	Rated Speed	Air Flow	Air Pressure	Noise Level	Available Features (Optional)				Weight g
		VDC	VDC	A	RPM	CFM	mmH ₂ O	dBA	Tachometer Output	Rotation Detector	Thermal Control	Pulse Width Modulation	
RDH6010S5	Sleeve	5	3.5~5.75	0.35	4,200	18.5	3.2	36	•	•			23
RDM6010S5			3.5~5.75	0.22	3,600	15.9	2.5	31	•	•			
RDL6010S5			3.5~5.75	0.17	3,000	12.1	1.4	27	•	•			
RDH6010B5	Ball		3.5~5.75	0.35	4,200	18.5	3.2	36	•	•			
RDM6010B5			3.5~5.75	0.22	3,600	15.9	2.5	31	•	•			
RDL6010B5			3.5~5.75	0.17	3,000	12.1	1.4	27	•	•			
RDH6010S1	Sleeve	12	6.0~13.8	0.22	4,200	18.5	3.2	36	•	•			
RDM6010S1			6.0~13.8	0.17	3,600	15.9	2.5	31	•	•			
RDL6010S1			6.0~13.8	0.14	3,000	12.1	1.4	27	•	•			
RDH6010B1	Ball		6.0~13.8	0.22	4,200	18.5	3.2	36	•	•			
RDM6010B1			6.0~13.8	0.17	3,600	15.9	2.5	31	•	•			
RDL6010B1			6.0~13.8	0.14	3,000	12.1	1.4	27	•	•			
RDH6010S2	Sleeve	24	12.0~27.6	0.11	4,200	18.5	3.2	36	•	•			
RDM6010S2			12.0~27.6	0.09	3,600	15.9	2.5	31	•	•			
RDL6010S2			12.0~27.6	0.07	3,000	12.1	1.4	27	•	•			
RDH6010B2	Ball		12.0~27.6	0.11	4,200	18.5	3.2	36	•	•			
RDM6010B2			12.0~27.6	0.09	3,600	15.9	2.5	31	•	•			
RDL6010B2			12.0~27.6	0.07	3,000	12.1	1.4	27	•	•			