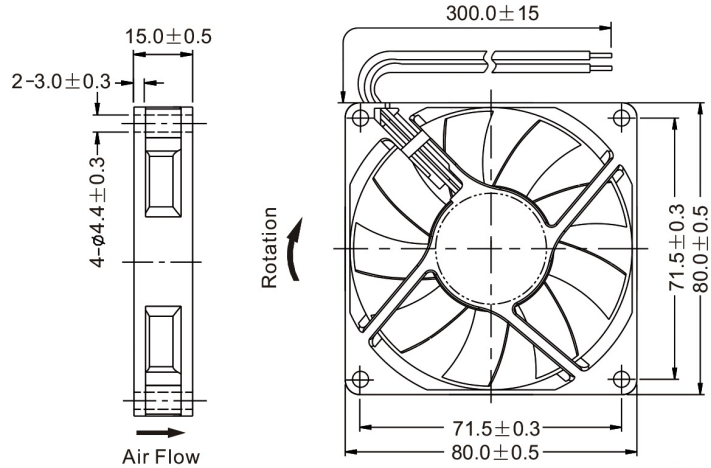


■ Dimensions Drawing



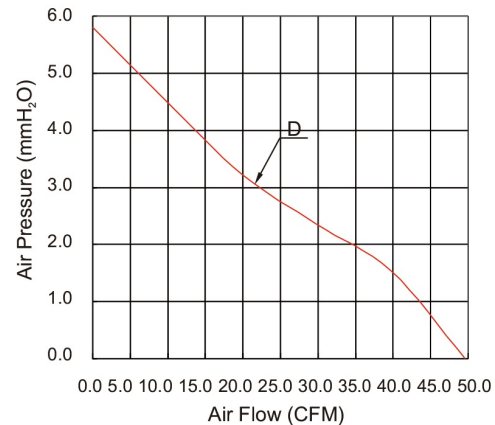
Unit: mm

General Specification:

- Frame and Impeller : Thermal Plastic , UL 94V-0
- Lead Wires : UL Type
(+) : Red (-) : Black
- Operation Temperature : -10°C ~ 70°C 、
35% ~ 85%RH
- Storage Temperature : -40°C ~ 80°C 、
35% ~ 85%RH



■ Performance Curves



Listed Model	Bearing System	Rated Voltage	Operation Voltage	Rated Current	Rated Speed	Air Flow	Air Pressure	Noise Level	Available Features (Optional)				Weight
		VDC	VDC	A	RPM	CFM	mmH ₂ O	dBA	Tachometer Output	Rotation Detector	Thermal Control	Pulse Width Modulation	g
RDD8015S1	Sleeve	12	6.0~13.8	0.27	4,100	49.6	5.8	44	•	•			54
RDD8015B1	Ball		6.0~13.8	0.27	4,100	49.6	5.8	44	•	•			