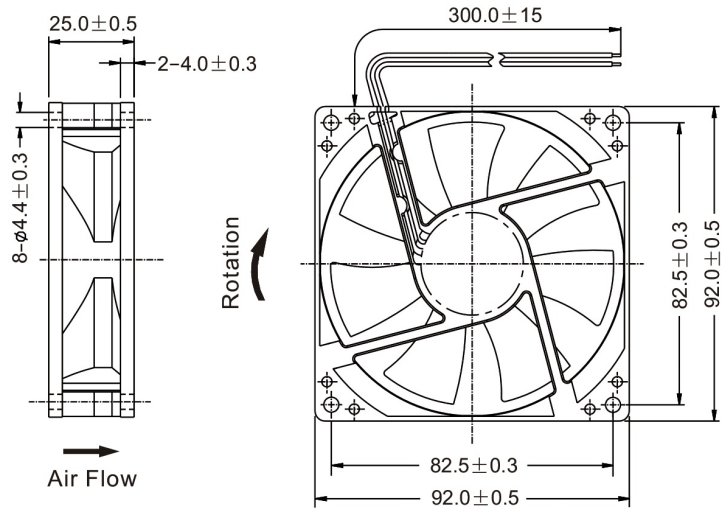


■ Dimensions Drawing



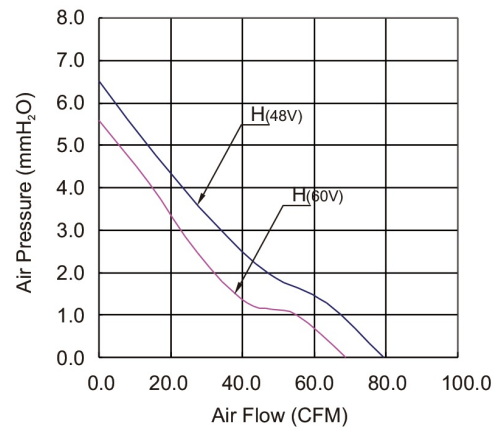
Unit: mm

General Specification:

- Frame and Impeller : Thermal Plastic , UL 94V-0
- Lead Wires : UL Type
(+) : Red (-) : Black
- Operation Temperature : -10°C~70°C、
35%~85%RH
- Storage Temperature : -40°C~80°C、
35%~85%RH



■ Performance Curves



Listed Model	Bearing System	Rated Voltage	Operation Voltage	Rated Current	Rated Speed	Air Flow	Air Pressure	Noise Level	Available Features (Optional)				Weight g
		VDC	VDC	A	RPM	CFM	mmH ₂ O	dB	Tachometer Output	Rotation Detector	Thermal Control	Pulse Width Modulation	
RDH9025S4	Sleeve	48	24.0~55.2	0.15	3,800	79.4	6.5	44	•	•		•	85
RDH9025B4	Ball								•	•		•	
RDH9025B6	Ball	60	36.0~72.0	0.20	3,200	68.7	5.6	39	•	•	•	•	