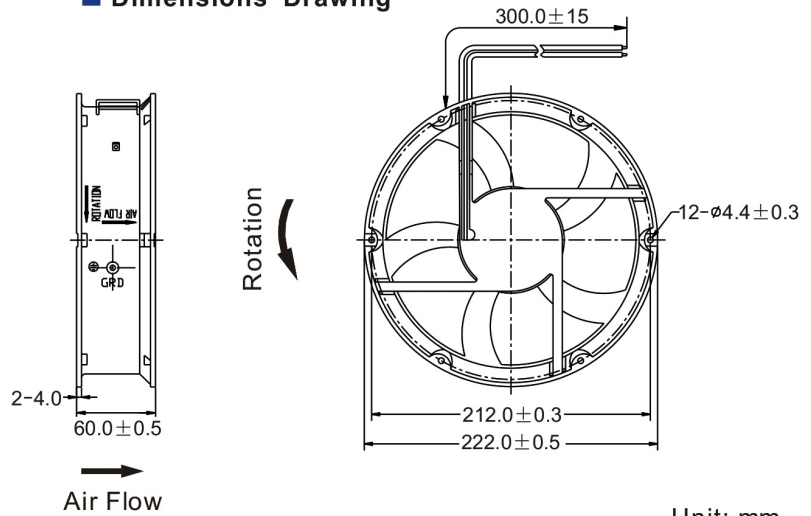


## ■ Dimensions Drawing

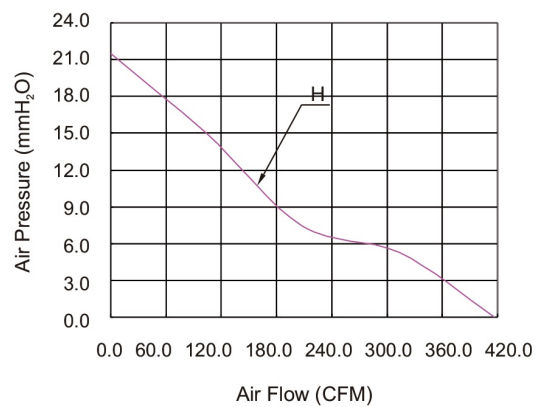


Unit: mm

### General Specification:

- Frame : Aluminum Alloy
- Impeller : PA6 UL94V-0 Reinforced Plastic
- Lead Wires : UL Type  
(+) : Red (-) : Black
- Operation Temperature : -10°C ~ 70°C、  
35% ~ 85%RH
- Storage Temperature : -40°C ~ 80°C、  
35% ~ 85%RH

## ■ Performance Curves



| Listed Model | Bearing System | Rated Voltage | Operation Voltage | Rated Current | Rated Speed | Air Flow | Air Pressure       | Noise Level | Available Features (Optional) |                   |                 |                        | Weight<br>g |
|--------------|----------------|---------------|-------------------|---------------|-------------|----------|--------------------|-------------|-------------------------------|-------------------|-----------------|------------------------|-------------|
|              |                | VDC           | VDC               | A             | RPM         | CFM      | mmH <sub>2</sub> O | dBA         | Tachometer Output             | Rotation Detector | Thermal Control | Pulse Width Modulation |             |
| RDH2260B4    | Ball           | 48            | 24.0~55.2         | 1.20          | 2,800       | 416.8    | 21.5               | 62          | •                             | •                 | •               | •                      | 1150        |