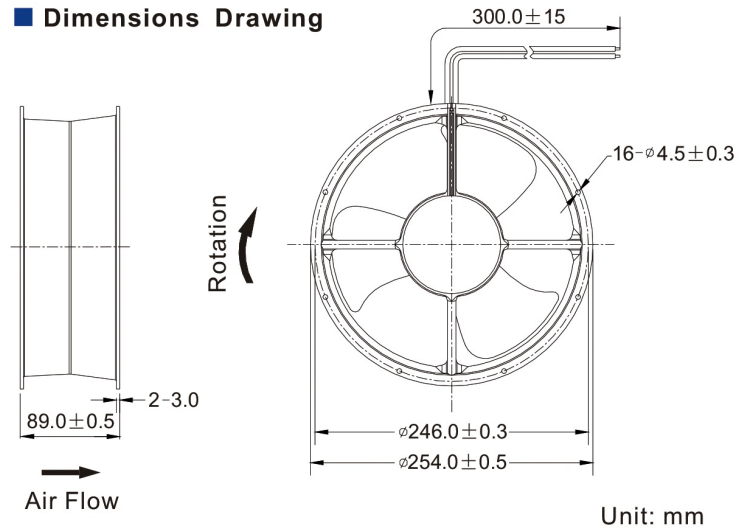




### General Specification:

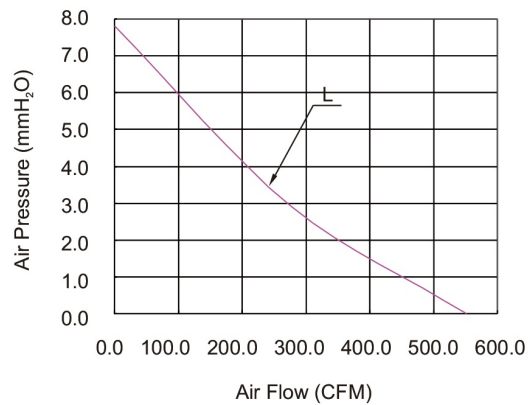
- Frame : Aluminum Alloy
- Impeller : PA6 UL94V-0 Reinforced Plastic
- Lead Wires : UL Type  
(+) : Red (-) : Black
- Operation Temperature : -10°C ~ 70°C ,  
35% ~ 85%RH
- Storage Temperature : -40°C ~ 80°C ,  
35% ~ 85%RH

### Dimensions Drawing



Unit: mm

### Performance Curves



Listed Model	Bearing System	Rated Voltage	Operation Voltage	Rated Current	Rated Speed	Air Flow	Air Pressure	Noise Level	Available Features (Optional)				Weight g
		VDC	VDC	A	RPM	CFM	mmH <sub>2</sub> O	dBA	Tachometer Output	Rotation Detector	Thermal Control	Pulse Width Modulation	
RDL2589B4	Ball	48	24.0~55.2	0.65	1,800	551.7	7.8	57	•	•	•	•	1730