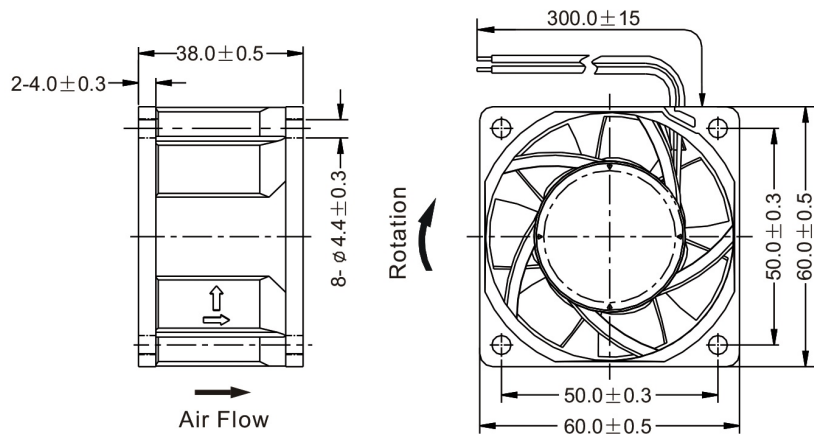


■ Dimensions Drawing



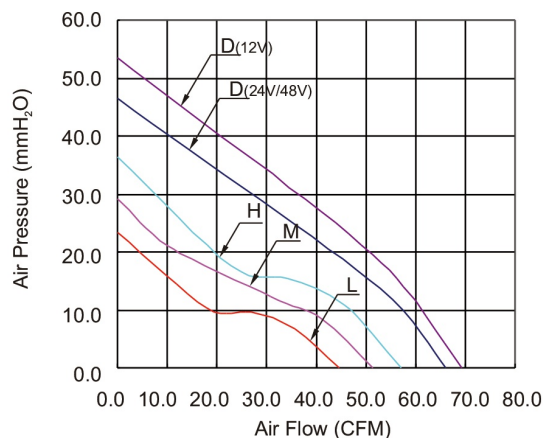
Unit: mm

General Specification:

- Frame and Impeller : Thermal Plastic , UL 94V-0
- Lead Wires : UL Type
(+) : Red (-) : Black
- Operation Temperature : -10°C~70°C、
35%~85%RH
- Storage Temperature : -40°C~80°C、
35%~85%RH



■ Performance Curves



Listed Model	Bearing System	Rated Voltage	Operation Voltage	Rated Current	Rated Speed	Air Flow	Air Pressure	Noise Level	Available Features (Optional)				Weight
		VDC	VDC	A	RPM	CFM	mmH ₂ O	dBA	Tachometer Output	Rotation Detector	Thermal Control	Pulse Width Modulation	g
RGD6038B1	Ball	12	6.0~13.8	1.60	12,000	69.2	53.6	64	•	•		•	106
RGH6038B1			6.0~13.8	0.86	10,000	57.0	36.3	60	•	•		•	
RGM6038B1			6.0~13.8	0.65	9,000	51.3	29.1	57	•	•		•	
RGL6038B1			6.0~13.8	0.48	8,000	44.6	23.2	53	•	•		•	
RGD6038B2	Ball	24	12.0~27.6	0.72	11,000	66.1	46.4	62	•	•		•	
RGH6038B2			12.0~27.6	0.46	10,000	57.0	36.3	60	•	•		•	
RGM6038B2			12.0~27.6	0.36	9,000	51.3	29.1	57	•	•		•	
RGL6038B2			12.0~27.6	0.26	8,000	44.6	23.2	53	•	•		•	
RGD6038B4	Ball	48	24.0~55.2	0.41	11,000	66.1	46.4	62	•	•		•	
RGH6038B4			24.0~55.2	0.31	10,000	57.0	36.3	60	•	•		•	
RGM6038B4			24.0~55.2	0.26	9,000	51.3	29.1	57	•	•		•	
RGL6038B4			24.0~55.2	0.21	8,000	44.6	23.2	53	•	•		•	