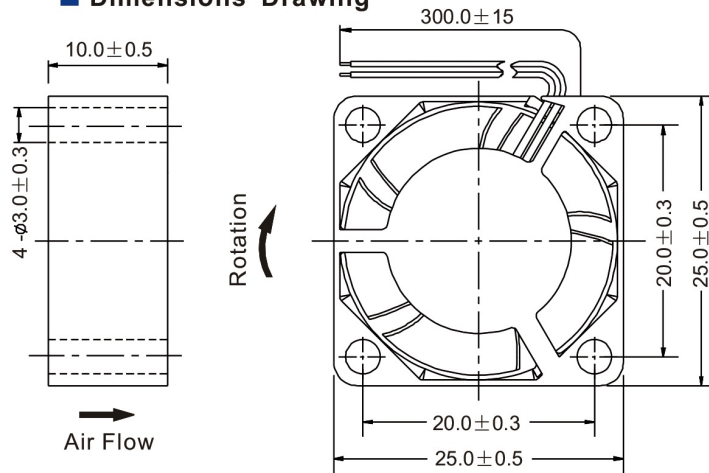
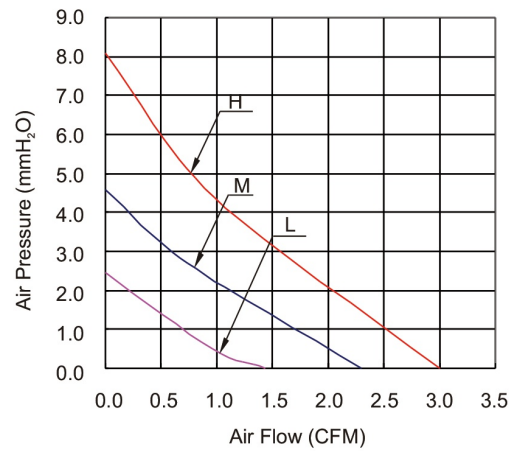


### ■ Dimensions Drawing



Unit: mm

### ■ Performance Curves



### General Specification:

- Frame and Impeller : Thermal Plastic , UL 94V-0
- Lead Wires : UL Type  
( + ) : Red ( - ) : Black
- Operation Temperature : -10°C ~ 70°C ,  
35% ~ 85%RH
- Storage Temperature : -40°C ~ 80°C ,  
35% ~ 85%RH



Listed Model	Bearing System	Rated Voltage	Operation Voltage	Rated Current	Rated Speed	Air Flow	Air Pressure	Noise Level	Available Features (Optional)				Weight g
		VDC	VDC	A	RPM	CFM	mmH <sub>2</sub> O	dBA	Tachometer Output	Rotation Detector	Thermal Control	Pulse Width Modulation	
RDH2510S5	Sleeve	5	4.0~5.75	0.16	13,000	3.0	8.1	30	•	•			7
RDM2510S5			4.0~5.75	0.12	10,000	2.3	4.6	23	•	•			
RDL2510S5			4.0~5.75	0.08	7,000	1.4	2.5	19	•	•			
RDH2510B5	Ball		4.0~5.75	0.16	13,000	3.0	8.1	30	•	•			
RDM2510B5			4.0~5.75	0.12	10,000	2.3	4.6	23	•	•			
RDL2510B5			4.0~5.75	0.08	7,000	1.4	2.5	19	•	•			
RDH2510S	Sleeve	12	6.0~13.8	0.10	13,000	3.0	8.1	30	•	•			
RDM2510S			6.0~13.8	0.08	10,000	2.3	4.6	23	•	•			
RDL2510S			6.0~13.8	0.06	7,000	1.4	2.5	19	•	•			
RDH2510B	Ball		6.0~13.8	0.10	13,000	3.0	8.1	30	•	•			
RDM2510B			6.0~13.8	0.08	10,000	2.3	4.6	23	•	•			
RDL2510B			6.0~13.8	0.06	7,000	1.4	2.5	19	•	•			