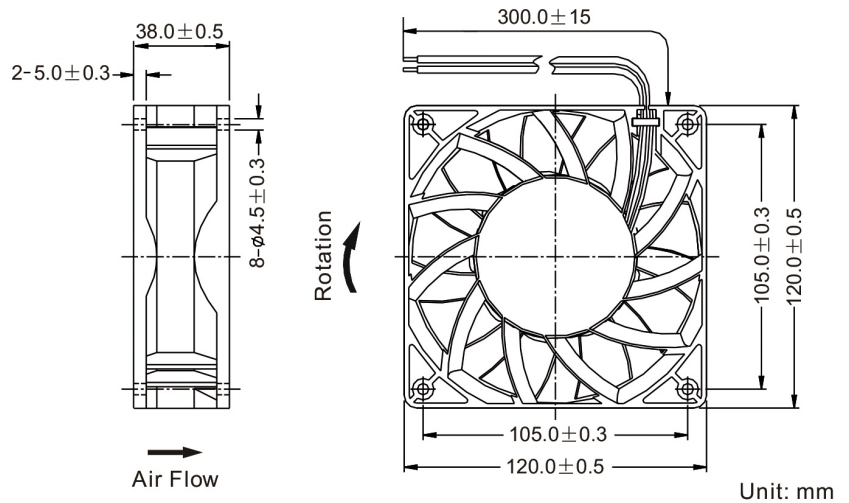




■ Dimensions Drawing



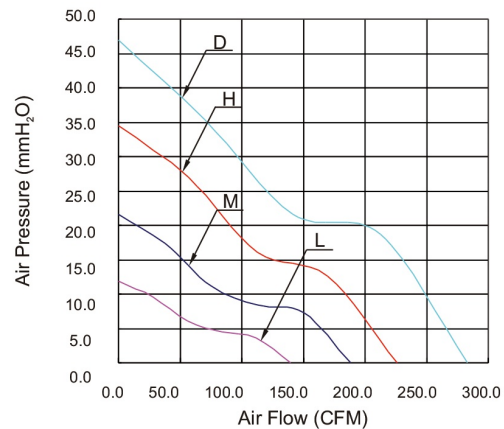
Unit: mm

General Specification:

- Frame and Impeller : Thermal Plastic , UL 94V-0
- Lead Wires : UL Type
(+) : Red (-) : Black
- Operation Temperature : -10°C ~ 70°C ,
35% ~ 85%RH
- Storage Temperature : -40°C ~ 80°C ,
35% ~ 85%RH



■ Performance Curves



Listed Model	Bearing System	Rated Voltage	Operation Voltage	Rated Current	Rated Speed	Air Flow	Air Pressure	Noise Level	Available Features (Optional)				Weight g
		VDC	VDC	A	RPM	CFM	mmH ₂ O	dBA	Tachometer Output	Rotation Detector	Thermal Control	Pulse Width Modulation	
RGH1238B1	Ball	12	6.0~13.8	3.60	5,000	226.0	34.4	65	•	•	•	•	350
RGM1238B1			6.0~13.8	2.00	4,000	188.6	21.6	59	•	•	•	•	
RGL1238B1			6.0~13.8	1.50	3,000	139.8	11.9	52	•	•	•	•	
RGH1238B2	Ball	24	12.0~27.6	1.70	5,000	226.0	34.4	65	•	•	•	•	
RGM1238B2			12.0~27.6	1.10	4,000	188.6	21.6	59	•	•	•	•	
RGL1238B2			12.0~27.6	0.60	3,000	139.8	11.9	52	•	•	•	•	
RGD1238B4	Ball	48	24.0~55.2	1.30	6,000	283.0	46.9	70	•	•	•	•	
RGH1238B4			24.0~55.2	1.00	5,000	226.0	34.4	65	•	•	•	•	
RGM1238B4			24.0~55.2	0.60	4,000	188.6	21.6	59	•	•	•	•	
RGL1238B4			24.0~55.2	0.38	3,000	139.8	11.9	52	•	•	•	•	