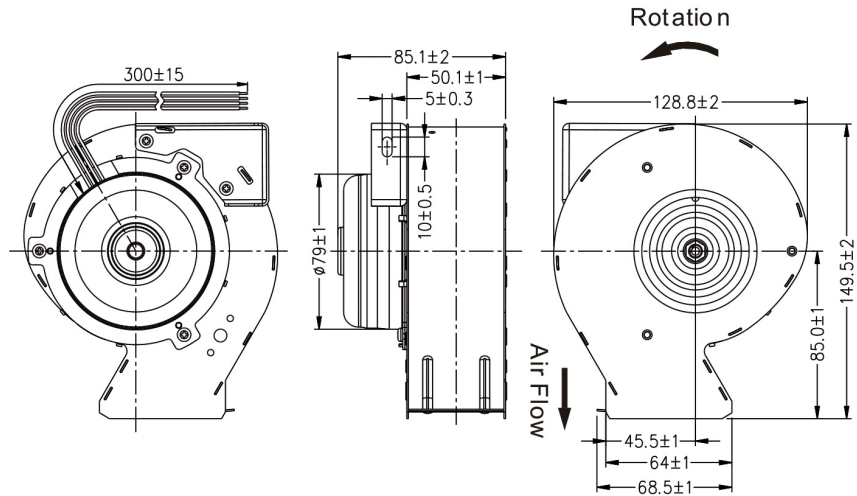


■ Dimensions Drawing

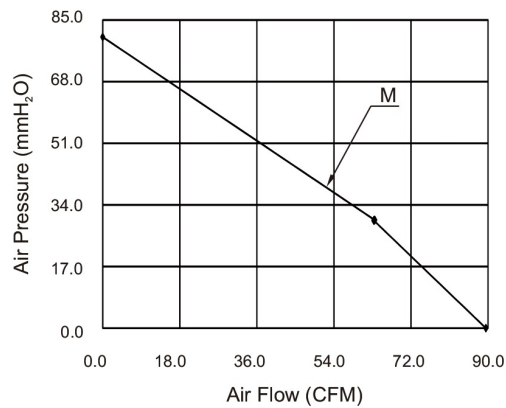


Unit: mm

General Specification:

- Frame and Impeller : Metal
- Lead Wires : UL Type
 - (+) : Red (-) : Black
 - (FG/RD) : Blue
 - (PWM) : Yellow
- Operation Temperature : -10°C ~ 70°C、
35% ~ 85%RH
- Storage Temperature : -40°C ~ 80°C、
35% ~ 85%RH

■ Performance Curves



Listed Model	Bearing System	Rated Voltage	Operation Voltage	Rated Current	Rated Speed	Air Flow	Air Pressure	Noise Level	Available Features (Optional)				Weight g
		VDC	VDC	A	RPM	CFM	mmH ₂ O	dBA	Tachometer Output	Rotation Detector	Thermal Control	Pulse Width Modulation	
RBM1585B3	Ball	36	7.0~40.0	1.30	3,800	89.5	80.3	65	•	•		•	780