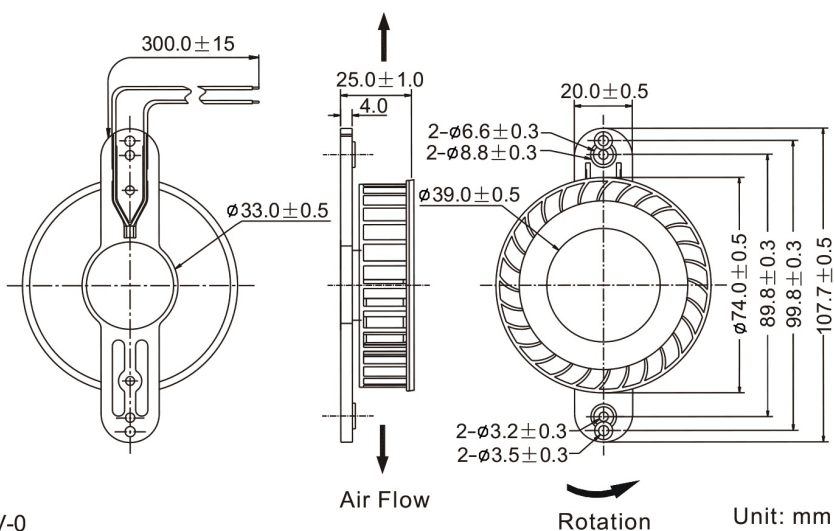


■ Dimensions Drawing



General Specification:

- Frame and Impeller : Thermal Plastic , UL 94V-0
- Lead Wires : UL Type
(+) : Red (-) : Black
- Operation Temperature : -10°C ~ 70°C、
35% ~ 85%RH
- Storage Temperature : -40°C ~ 80°C、
35% ~ 85%RH



Listed Model	Bearing System	Rated Voltage	Operation Voltage	Rated Current	Rated Speed	Air Flow	Air Pressure	Noise Level	Available Features (Optional)				Weight
		VDC	VDC	A	RPM	CFM	mmH ₂ O	dBA	Tachometer Output	Rotation Detector	Thermal Control	Pulse Width Modulation	g
RDH9025S BGF	Sleeve	12	6.0~13.8	0.35	3,500	---	---	41	•	•			70
RDM9025S BGF			6.0~13.8	0.25	2,500	---	---	32	•	•			
RDL9025S BGF			6.0~13.8	0.20	2,100	---	---	27	•	•			