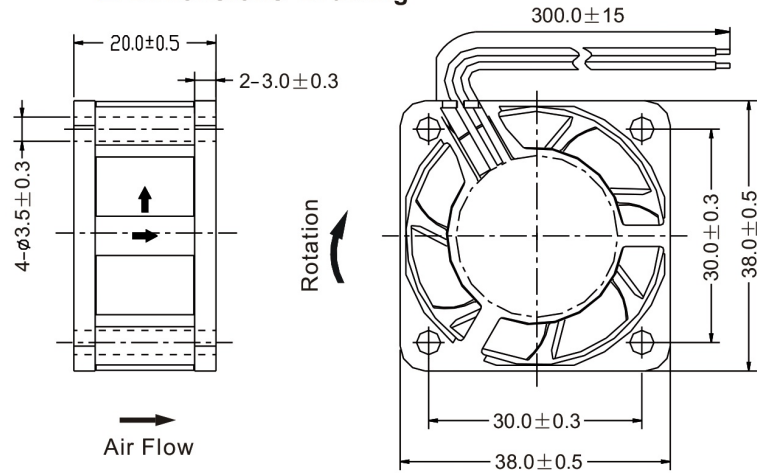
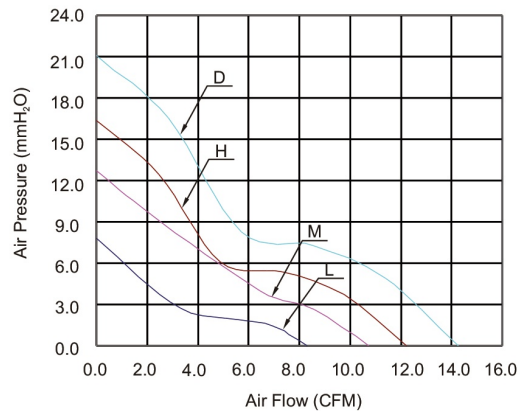


■ Dimensions Drawing



Unit: mm

■ Performance Curves



General Specification:

- Frame and Impeller : Thermal Plastic , UL 94V-0
- Lead Wires : UL Type
(+) : Red (-) : Black
- Operation Temperature : -10°C~70°C、
35%~85%RH
- Storage Temperature : -40°C~80°C、
35%~85%RH

Listed Model	Bearing System	Rated Voltage	Operation Voltage	Rated Current	Rated Speed	Air Flow	Air Pressure	Noise Level	Available Features (Optional)				Weight
		VDC	VDC	A	RPM	CFM	mmH ₂ O	dBA	Tachometer Output	Rotation Detector	Thermal Control	Pulse Width Modulation	
RDD3820S1	Sleeve	12	6.0~13.8	0.32	15,000	14.2	21.0	44	•	•	•	•	28
RDH3820S1			6.0~13.8	0.28	13,000	12.2	16.3	42	•	•	•	•	
RDM3820S1			6.0~13.8	0.25	11,000	10.6	12.3	39	•	•	•	•	
RDL3820S1			6.0~13.8	0.18	9,000	8.3	7.7	33	•	•	•	•	
RDD3820B1	Ball		6.0~13.8	0.32	15,000	14.2	21.0	44	•	•	•	•	
RDH3820B1			6.0~13.8	0.28	13,000	12.2	16.3	42	•	•	•	•	
RDM3820B1			6.0~13.8	0.25	11,000	10.6	12.3	39	•	•	•	•	
RDL3820B1			6.0~13.8	0.18	9,000	8.3	7.7	33	•	•	•	•	