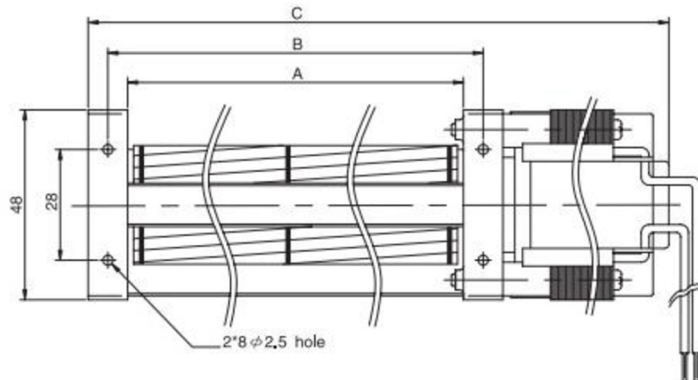
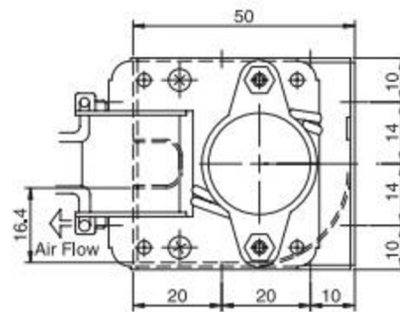




CA030E- Series



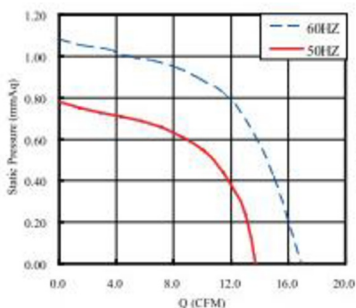
| | |
|-----------------|---------------------|
| Size | Ø30mm |
| Housing | Aluminum |
| Impeller | Aluminum |
| Motor | AC Shaded Pole Type |
| Operating Temp. | 0°C ~+45°C |
| Insulation | Class A |



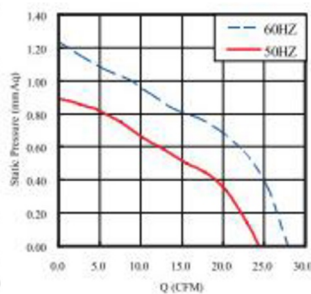
| Model Number | Size (mm) | | | Voltage (V) | Frequency (Hz) | Current (A) | Power (W) | Speed (RPM) | Air Flow (CFM) | Pressure (mmH2O) | Noise (dB(A)) | Weight (g) |
|----------------|-----------|-----|-----|-------------|----------------|-------------|-----------|-------------|----------------|------------------|---------------|------------|
| | A | B | C | | | | | | | | | |
| CA03009V11_HWE | 98 | 108 | 154 | 120 | 50/60 | 0.11/0.09 | 8/7 | 2500/2900 | 14/17 | 0.8/1.1 | 21/24 | 390 |
| CA03009V22_HWE | | | | 230 | 50/60 | 0.07/0.05 | 8/7 | 2500/2900 | 14/17 | 0.8/1.1 | 21/24 | |
| CA03015V11_HWE | 160 | 170 | 222 | 120 | 50/60 | 0.14/0.12 | 9/8 | 2700/3100 | 24/28 | 0.9/1.2 | 27/30 | 520 |
| CA03015V22_HWE | | | | 230 | 50/60 | 0.09/0.07 | 10/9 | 2700/3100 | 24/28 | 0.9/1.2 | 27/30 | |
| CA03019V11_HWE | 198 | 208 | 260 | 120 | 50/60 | 0.14/0.12 | 9/8 | 2700/3100 | 32/35 | 1.0/1.3 | 27/30 | 540 |
| CA03019V22_HWE | | | | 230 | 50/60 | 0.09/0.07 | 11/9 | 2700/3100 | 32/35 | 1.0/1.3 | 27/30 | |
| CA03029V11_HWE | 300 | 310 | 366 | 120 | 50/60 | 0.20/0.17 | 15/13 | 2700/3100 | 53/60 | 1.4/1.7 | 32/34 | 670 |
| CA03029V22_HWE | | | | 230 | 50/60 | 0.09/0.07 | 12/11 | 2700/3100 | 53/60 | 1.4/1.7 | 32/34 | |

_ for B / S = Ball Bearing / Sleeve Bearing

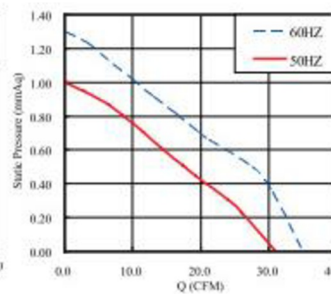
CA03009E



CA03015E



CA03019E



CA03029E

