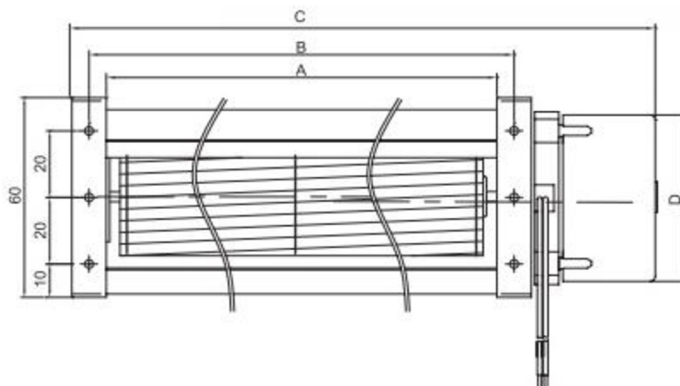
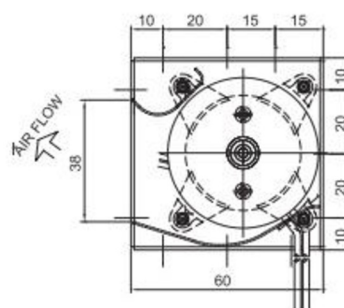




CD043E- Series



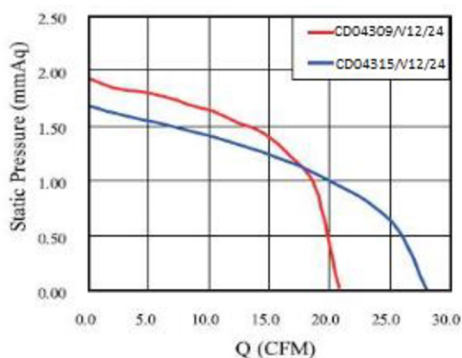
Size	Ø43mm
Housing	Aluminum
Impeller	Aluminum
Motor	DC Brushless type
Operating Temp.	0°C~+45°C
Insulation	Class A



Model Number	Size (mm)			Voltage (V)	Current (A)	Power (W)	Speed (RPM)	Air Flow (CFM)	Pressure (mmH2O)	Noise dB(A)	Weight (g)
	A	B	C								
CD04309V12_HWE	98	108	144	12	0.22	2.64	2800	25	1.80	36	220
CD04309V24_HWE				24	0.15	3.6					
CD04315V12_HWE	160	170	208	12	0.35	4.20	2500	42	1.2	37	270
CD04315V24_HWE				24	0.20	4.80					
CD04319V12_HWE	198	208	246	12	0.35	4.20	2400	53	1.0	39	310
CD04319V24_HWE				24	0.20	4.80					
CD04324V12_HWE	250	260	298	12	0.42	5.04	2200	60	0.7	34	350
CD04324V24_HWE				24	0.22	5.28					
CD04329V24B3HWE	300	310	340	24	0.33	7.92	2500	88	1.9	37	420
CD04335V24B3HWE	360	370	400		0.35	8.40	2400	99	1.6	37	440

_ for B / S = Ball Bearing / Sleeve Bearing

CD04309/15



CD04319/24/29

