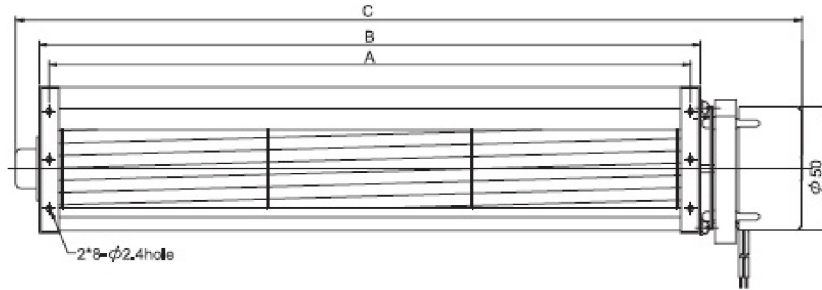
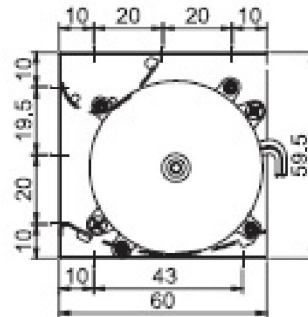




# CD043Q- Series



Size	Ø43mm
Housing	Aluminum
Impeller	Aluminum
Motor	DC Brushless type
Operating Temp.	0°C~+45°C
Insulation	Class A



Model Number	Size (mm)			Voltage (V)	Current (A)	Power (W)	Speed (RPM)	Air Flow (CFM)	Pressure (mmH2O)	Noise dB(A)	Weight (g)
	A	B	C								
CD04325V12_HWQ	260	268	324	12	0.45	5.4	3000	67	1.0	37	480
CD04325V24_HWQ				24	0.30	7.2					
CD04329V12_HWQ	296	304	360	12	0.40	4.8	2800	74	1.1	39	500
CD04329V24_HWQ				24	0.30	7.2					

\_ for B / S = Ball Bearing / Sleeve Bearing

## Air Performance

